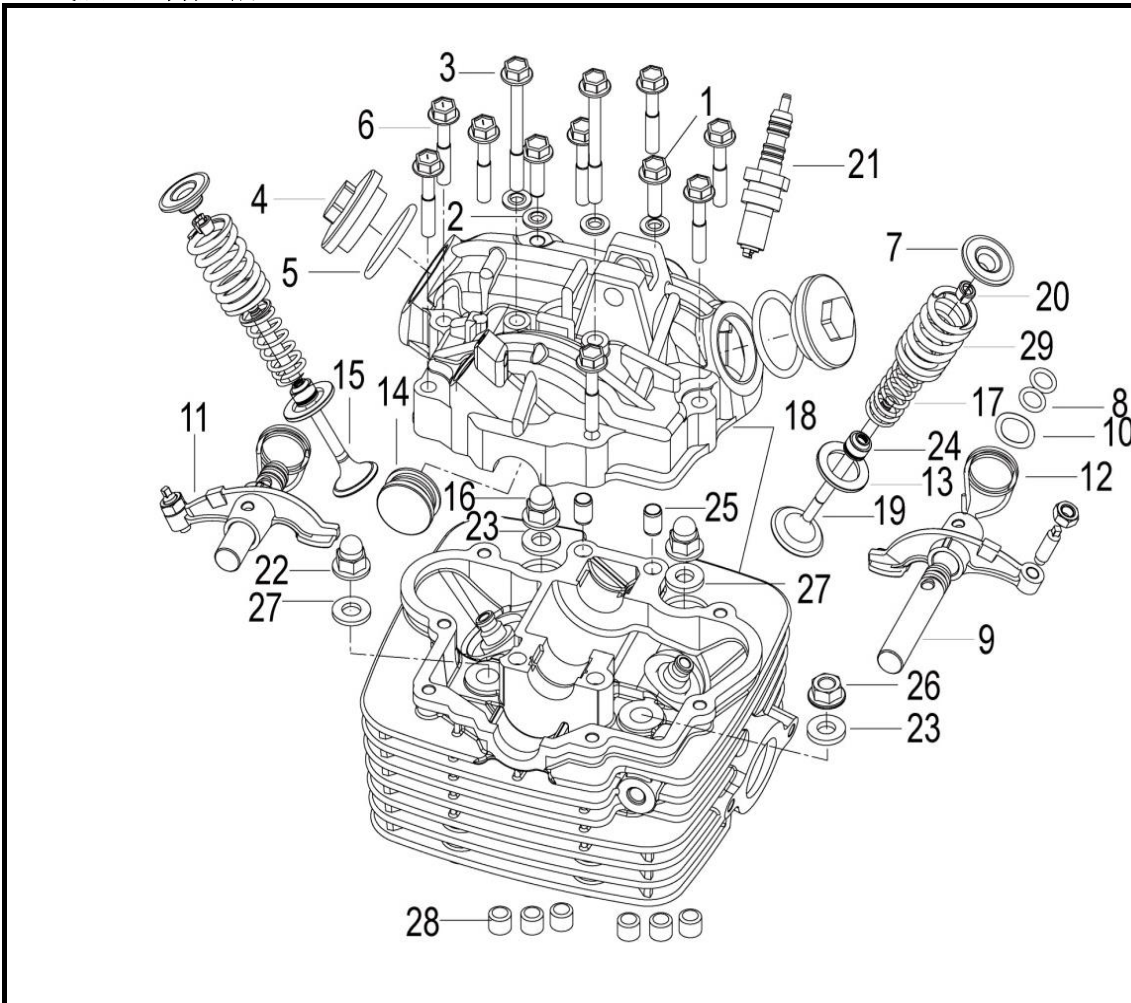


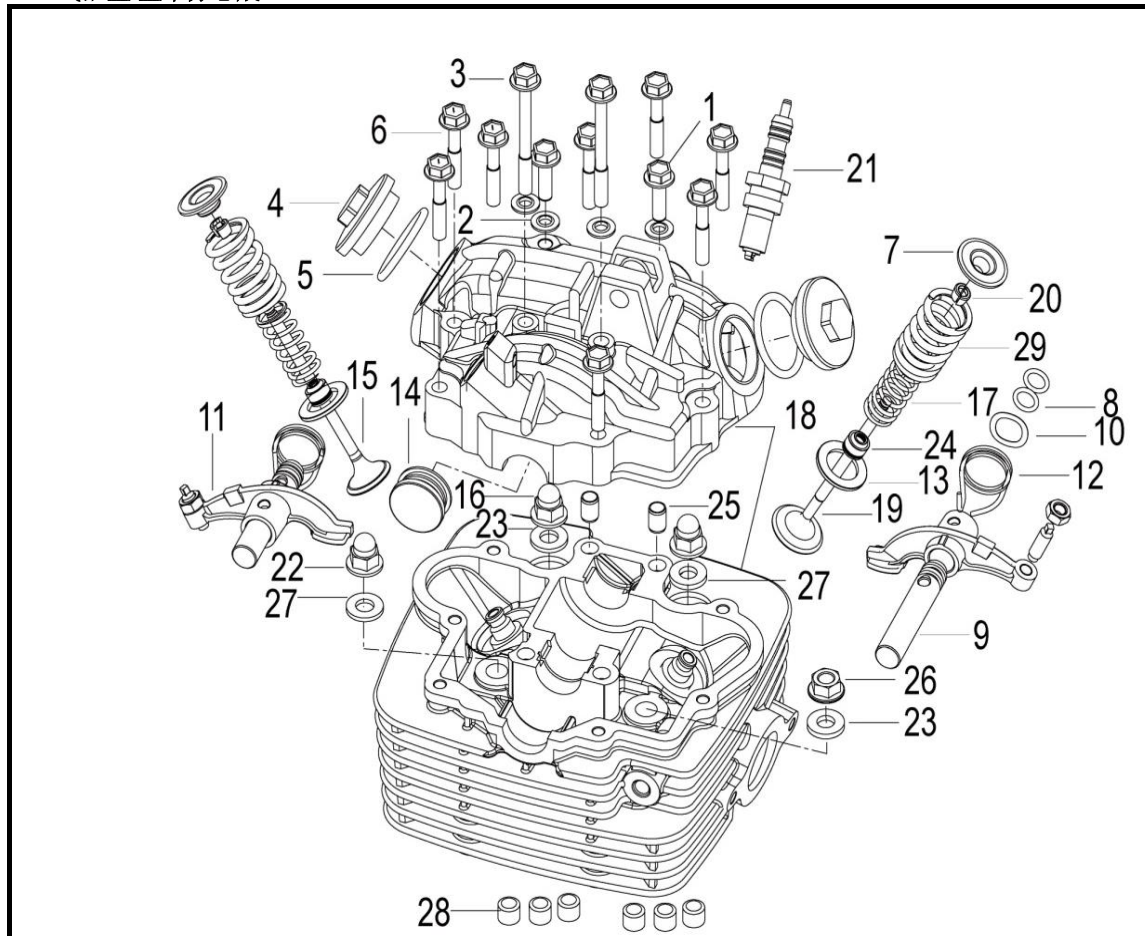
RKS 125-150-ACE150

E01气缸盖/盖罩分总成 COVER CYLINDER HEAD ASSY



NO.	CODE	EN DESCRIPTION	Model
1	120143090000	BOLT M6x21	RKS 125-150-ACE 150
2	120133090002	WASHER	RKS 125-150-ACE 150
3	10005309001X	BOLT M6x60	RKS 125-150-ACE 150
4	12001214002X	VAVLE HEAD	RKS 125-150-ACE 150
5	100033090000	O RING 30.5x3.3	RKS 125-150-ACE 150
6	10006309001X	BOLT M6X35	RKS 125-150-ACE 150
7	120013090002	GASKET,UP SPRING	RKS 125-150-ACE 150
8	B190100860A0	O RING 8.6x1.9	RKS 125-150-ACE 150
9	12916309002X	AXLE, VALVE ROCKER ARM	RKS 125-150-ACE 150
10	120033090000	WASHER,SPRING	RKS 125-150-ACE 150
11	12913309002X	ADJUSTING	RKS 125-150-ACE 150
12	120163090000	ROCKER SPRING	RKS 125-150-ACE 150
13	129213090003	GASKET,OUTER SPRING,δ1.5	RKS 125-150-ACE 150
14	100043090000	CYLINDER COVER JAMMING	RKS 125-150-ACE 150
15	129193090002	VALVE,EXHAUST	RKS 125
15	129194180000	VALVE,EXHAUST	RKS 150-ACE 150
16	120083090000	CAP NUT M8	RKS 125-150-ACE 150
17	129264180000	SPRING,OUTER	RKS 125-150-ACE 150
18	100343090090	COVER&CYLINDER HEAD ASSY,GRAY	RKS 125
18	100343090070	COVER&CYLINDER HEAD ASSY,GRAY	RKS 125
18	109054180030	COVER&CYLINDER HEAD ASSY,GRAY,with secondary air intake valve	RKS 150
18	109014180020	COVER&CYLINDER HEAD ASSY,GRAY,without secondary air intake valve	RKS 150-ACE 150
18	109013090020	COVER&CYLINDER HEAD ASSY,GRAY,without secondary air intake valve	RKS 125
19	129183090002	VALVE,INTAKE	RKS 125

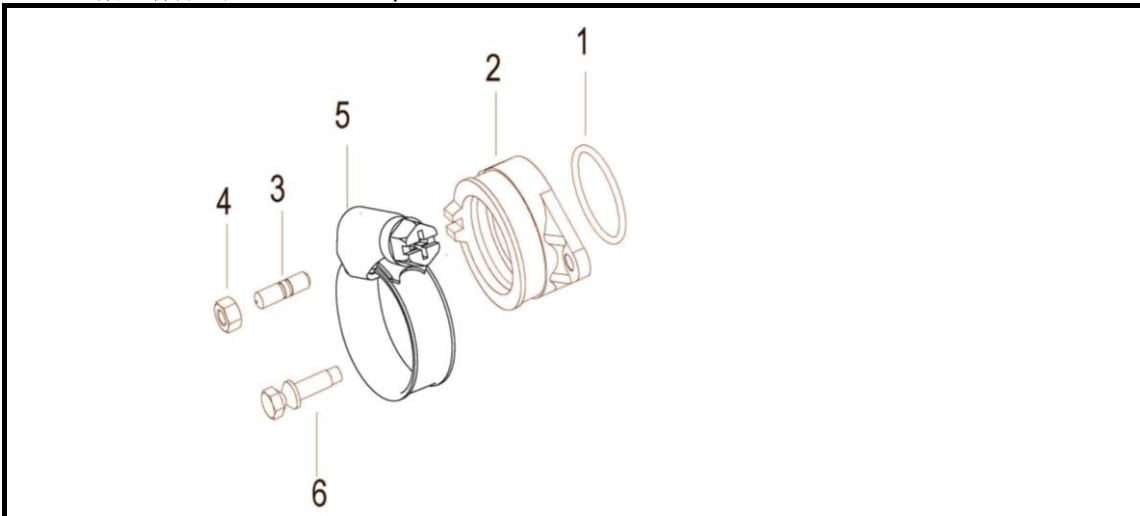
E01气缸盖/盖罩分总成 COVER CYLINDER HEAD ASSY



NO.	CODE	EN DESCRIPTION	Model
19	129184180000	VALVE,intake	RKS 150-ACE 150
20	129223230000	COTTER,VALVE	RKS 125-150
21	299073090002	SPARK PLUG M10	RKS 125
21	299073070010	SPARK PLUG M12x1.25	RKS 125-150-ACE 150
22	120083090000	CAP NUT M8	RKS 125-150-ACE 150
23	120093090000	WASHER 8	RKS 125-150-ACE 150
24	120013050000	OIL SEAL	RKS 125-150-ACE 150
25	120103090000	PIN,DOWEL	RKS 125-150-ACE 150
26	12012309002X	NUT M8	RKS 125-150-ACE 150
27	120113090000	WASHER 8	RKS 125-150-ACE 150
28	120063090000	SHOCK ABSORBER CHOCK	RKS 125-150-ACE 150
29	129254180000	SPRING,INNER	RKS 125-150-ACE 150

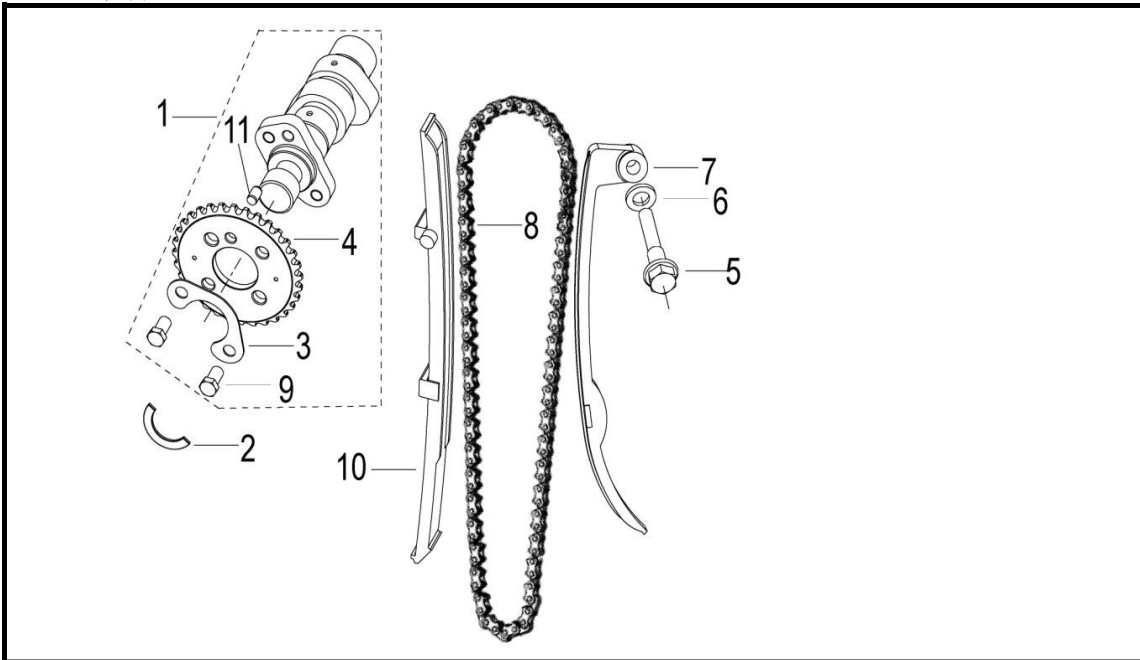
RKS 125-150-ACE150

E02进气管组件分总成 INSULATER,CARBURETOR ASSY



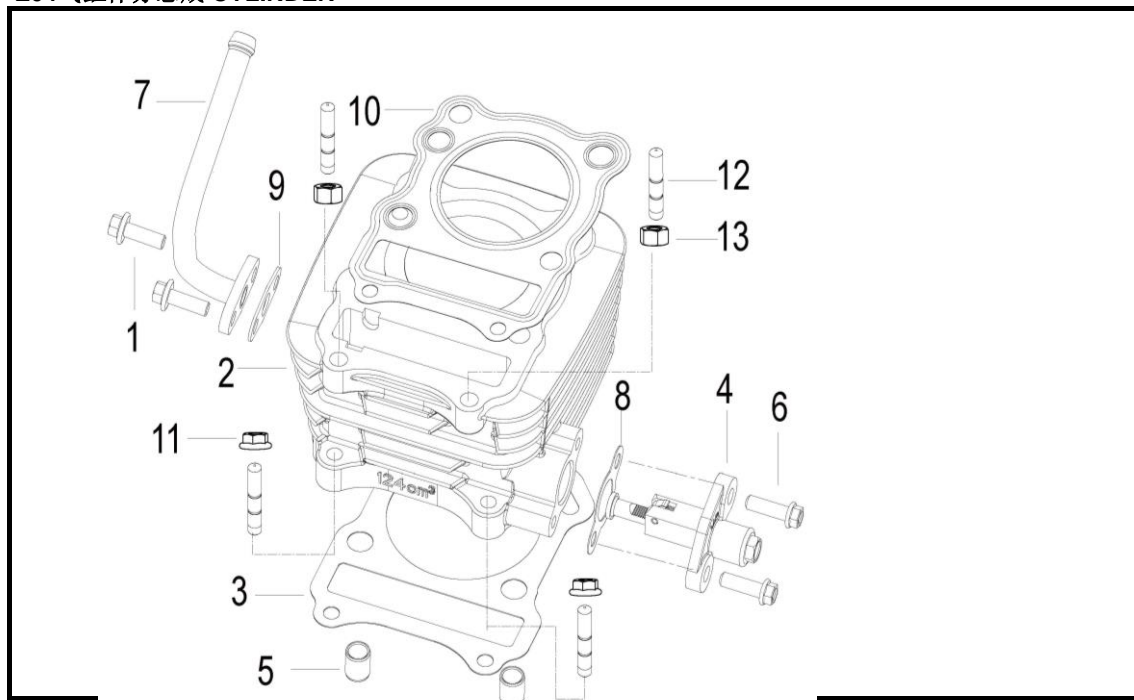
NO.	CODE	EN DESCRIPTION	Model
1	100023090000	O RING 31.5x2.4	RKS 125-150-ACE 150
2	110013090001	PIPE ASSY, INTAKE	RKS 125-150-ACE 150
3	10007309001X	STUD BOLT M6X22	RKS 125-150-ACE 150
4	B04050600064	NUT M6	RKS 125-150-ACE 150
5	100413090000	CLAMP ASSY	RKS 125-150-ACE 150
6	15002116001X	SCREW,DECOLLATION M6x20	RKS 125-150-ACE 150

E03配气机构 INTAKE&EXHAUST MECHANISM



NO.	CODE	EN DESCRIPTION	Model
1	129074180000	CAMSHAFT ASSY	RKS 125-150-ACE 150
2	120043090000	WASHER	RKS 125-150-ACE 150
3	120343090000	WASHER	RKS 125-150-ACE 150
4	120353090000	CHAIN WHEEL	RKS 125-150-ACE 150
5	140023090000	BOLT	RKS 125-150-ACE 150
6	140033090000	WASHER	RKS 125-150-ACE 150
7	140013090002	COMPONENTS OF THE RIGHT CHAIN GUIDE PLATE	RKS 125-150-ACE 150
8	129023090002	TIMING CHAIN	RKS 125-150-ACE 150
9	120203090000	GASKET	RKS 125-150-ACE 150
10	140063090002	CHAIN LEFT GUIDE PLATE	RKS 125-150-ACE 150
11	B090105008B0	PIN	RKS 125-150-ACE 150

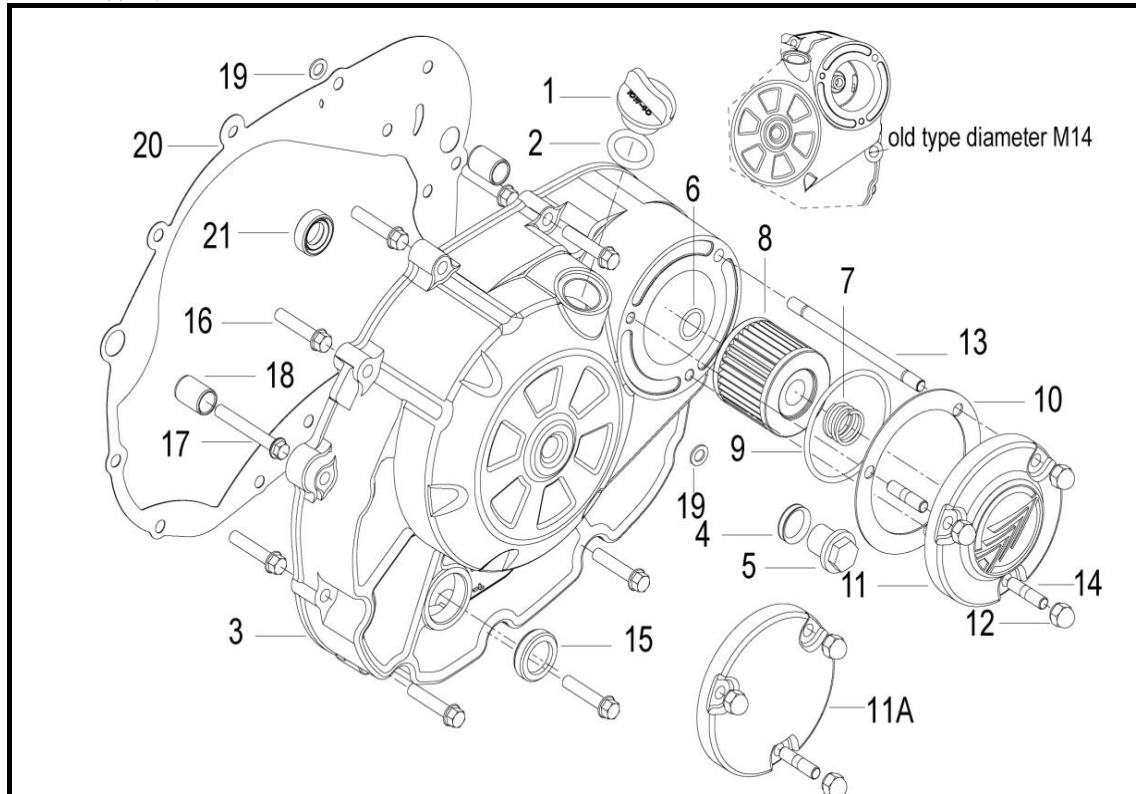
E04气缸体分总成 CYLINDER



NO.	CODE	EN DESCRIPTION	Model
1	B01070601864	BOLT M6x18	RKS 125-150-ACE 150
2	139013210030	CYLINDER,GRAY,with secondary air intake valve	RKS 125
2	139014180060	CYLINDER,GRAY,with secondary air intake valve	RKS 150
2	139014180090	CYLINDER,GRAY,without secondary air intake valve	RKS 150-ACE150
2	139013210040	CYLINDER,GRAY,without secondary air intake valve	RKS 125
3	139023090022	GASKET,CYLINDER,in green	RKS 125-150
3	139023090032	GASKET,CYLINDER,in black	RKS 125-150-ACE 150
3	139023090012	GASKET,CYLINDER,in gray	RKS 125-150
4	149033090010	TENSIONER ASSY GRAY	RKS 125-150-ACE 150
5	130023090000	PIN,DOWEL	RKS 125-150-ACE 150
6	13001309001X	BOLT M6X20	RKS 125-150-ACE 150
7	119083090010	SYPHON ASSY	RKS 125-150
8	130113090012	SEAL SPACER	RKS 125-150-ACE 150
9	119092140020	GASKET	RKS 125-150
10	109073090000	CYLINDER HEAD GASKET	RKS 125-150-ACE 150
11	B04070600054	HEXAGON NUTS WITH FLANGE M6	RKS 125-150-ACE 150
12	12007309001X	STUD BOLT	RKS 125-150-ACE 150
13	B04050600064	NUT M6	RKS 125-150-ACE 150

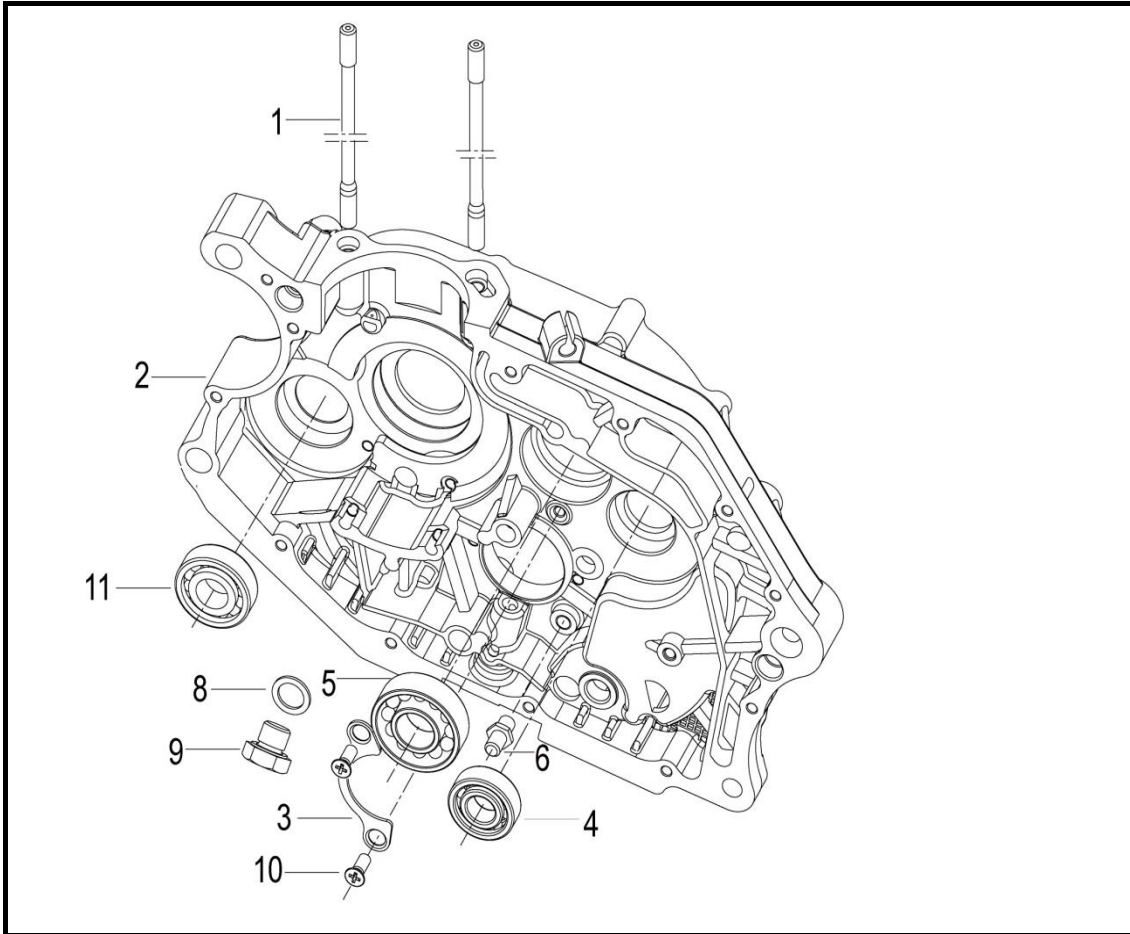
RKS 125-150-ACE150

E05右盖分总成 CLUTCH COVER ASSY



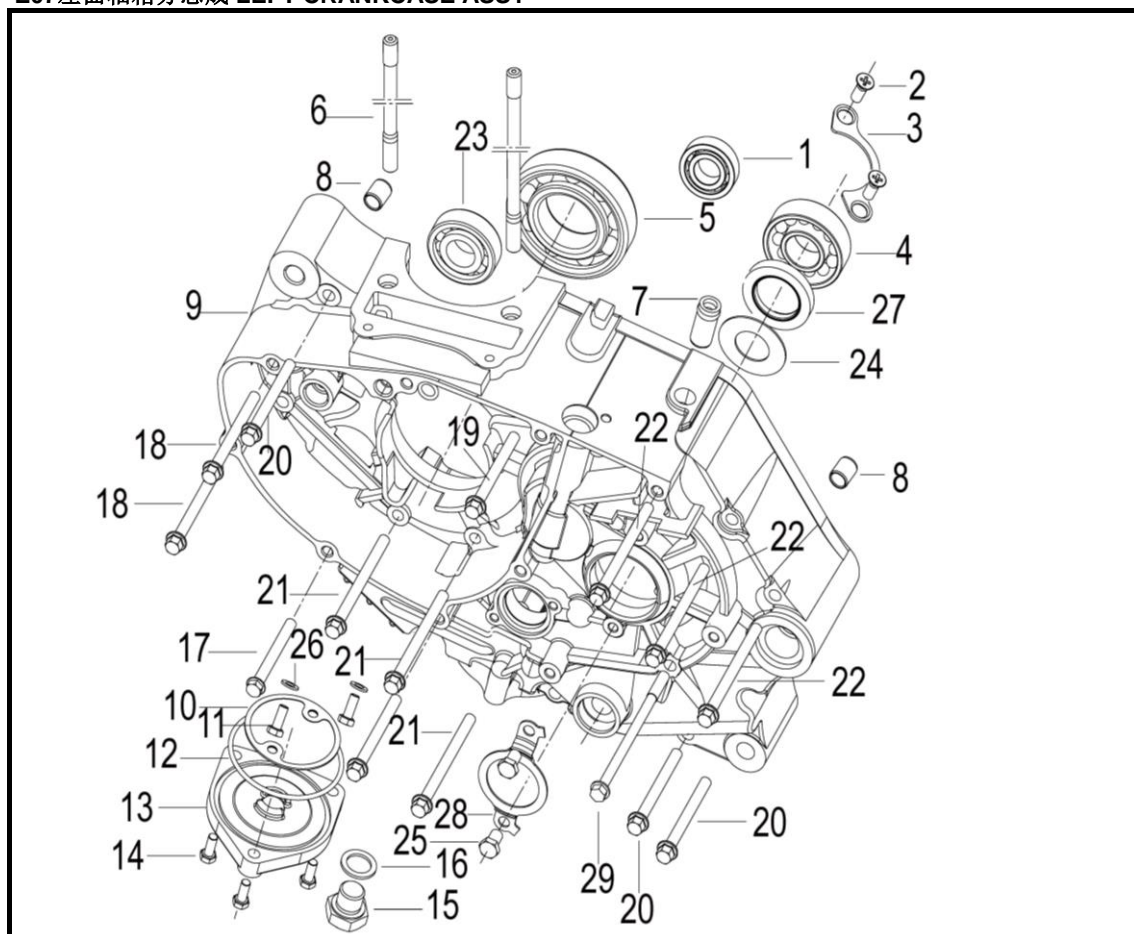
NO.	CODE	EN DESCRIPTION	Model
1	160063090000	OIL FILLER THREAD PLUG	RKS 125-150-ACE 150
2	B190101700C0	O RING17×3.55	RKS 125-150-ACE 150
3	16910309019A	COVER,CLUTCH GRAY	RKS 125
3	169103090190	COVER,CLUTCH GRAY	RKS 125-150-ACE 150
4	160103090000	THREAD PLUG FILLING PIECE Φ14	RKS 125
4	160253090000	O RING φ12	RKS 125-150-ACE 150
5	160093090000	THE SPIRAL STOPS UP M14	RKS 125
5	160203090002	PLUG M12	RKS 125-150-ACE 150
6	B190101250A0	O RING12.5×1.8	RKS 125-150-ACE 150
7	160033090000	SPRING	RKS 125-150-ACE 150
8	160043090000	PAPER FILTER ELEMENT MODULE	RKS 125-150-ACE 150
9	B190105260B0	O RING52.6×2.4	RKS 125-150-ACE 150
10	160373210010	Machine filters covers the filling piece	RKS 125-150-ACE 150
11	160393090090	COVER,GRAY	RKS 125-150-ACE 150
11A	160013090180	COVER,GRAY,without mark	RKS 150
11	160013090260	COVER,GRAY,mark RKS	RKS 125
12	B04220600034	COVERS THE NUT M6	RKS 125-150-ACE 150
13	16005309001X	DOUBLE SCREW BOLT	RKS 125-150-ACE 150
14	B03000601262	DOUBLE SCREW BOLT M6×12	RKS 125-150-ACE 150
15	160443090000	OIL INDICATOR ASSY	RKS 125-150-ACE 150
16	B01070603264	BOLT M6×32	RKS 125-150-ACE 150
17	B01070604564	BOLT M6×45	RKS 125-150-ACE 150
18	150043090000	PIN,DOWEL	RKS 125-150-ACE 150
19	150013070000	WASHER 6	RKS 125-150-ACE 150
20	169113210010	GASKET,COVER LH	RKS 125-150-ACE 150
21	160023090000	OIL SEAL	RKS 125-150-ACE 150

E06右曲轴箱分总成 RIGHT CRANKCASE ASSY



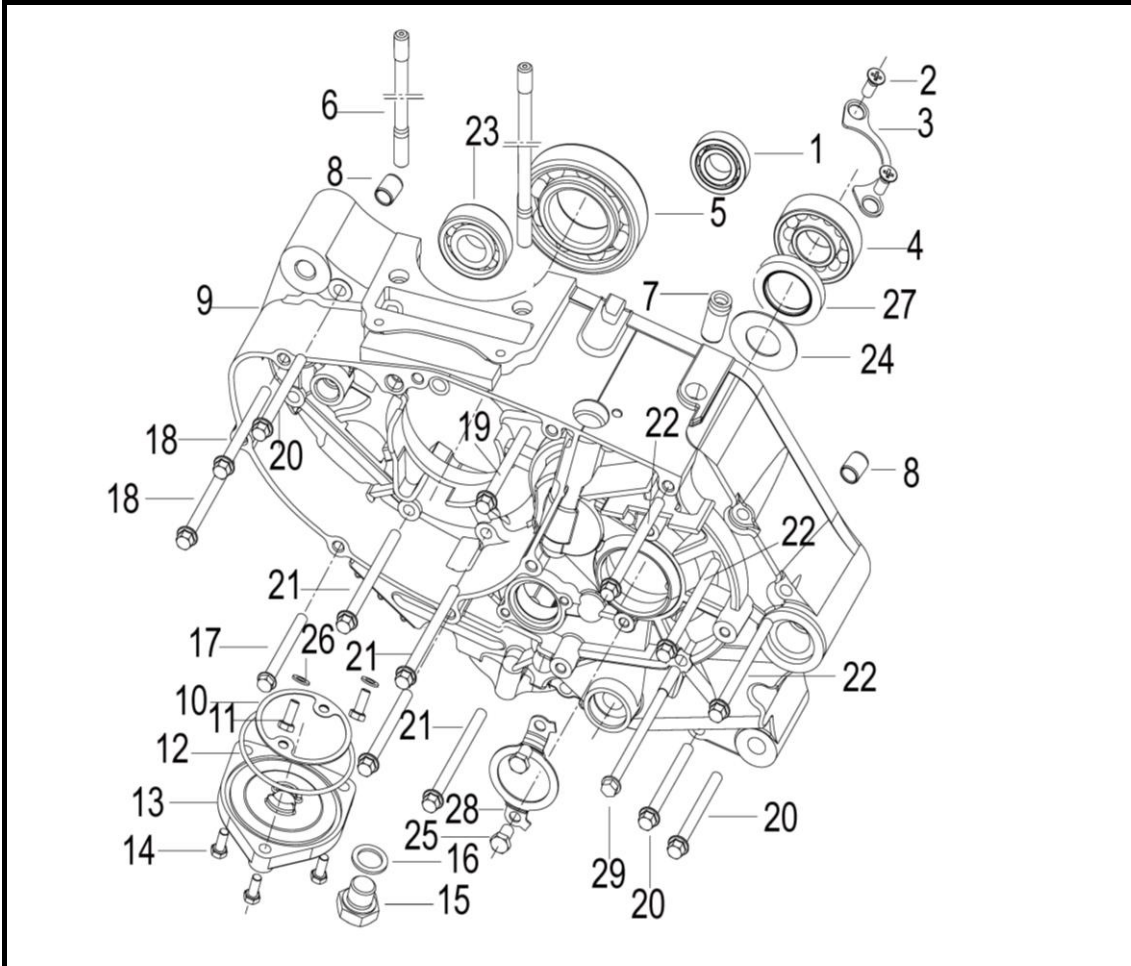
NO.	CODE	EN DESCRIPTION	Model
1	15911309002X	STIDBOLT,CYLINDER 8x173	RKS 125-150-ACE 150
2	159033210040	CRANKCASE,RIGHT GRAY,with plug	RKS 125-150-ACE 150
3	150113090000	GEAR	RKS 125-150-ACE 150
4	B12016020204	BERING6202/P6	RKS 125-150-ACE 150
5	B12016020403	BEARING6204/P6	RKS 125-150-ACE 150
6	150123090000	SET BOLT	RKS 125-150-ACE 150
8	150093090000	GASKET SEAL	RKS 125-150-ACE 150
9	15008309001X	THE SPIRAL STOPS UP	RKS 125-150-ACE 150
10	B02010601263	SCREW M6X12	RKS 125-150-ACE 150
11	B12016020307	BERING 6203	RKS 125-150-ACE 150

E07左曲轴箱分总成 LEFT CRANKCASE ASSY



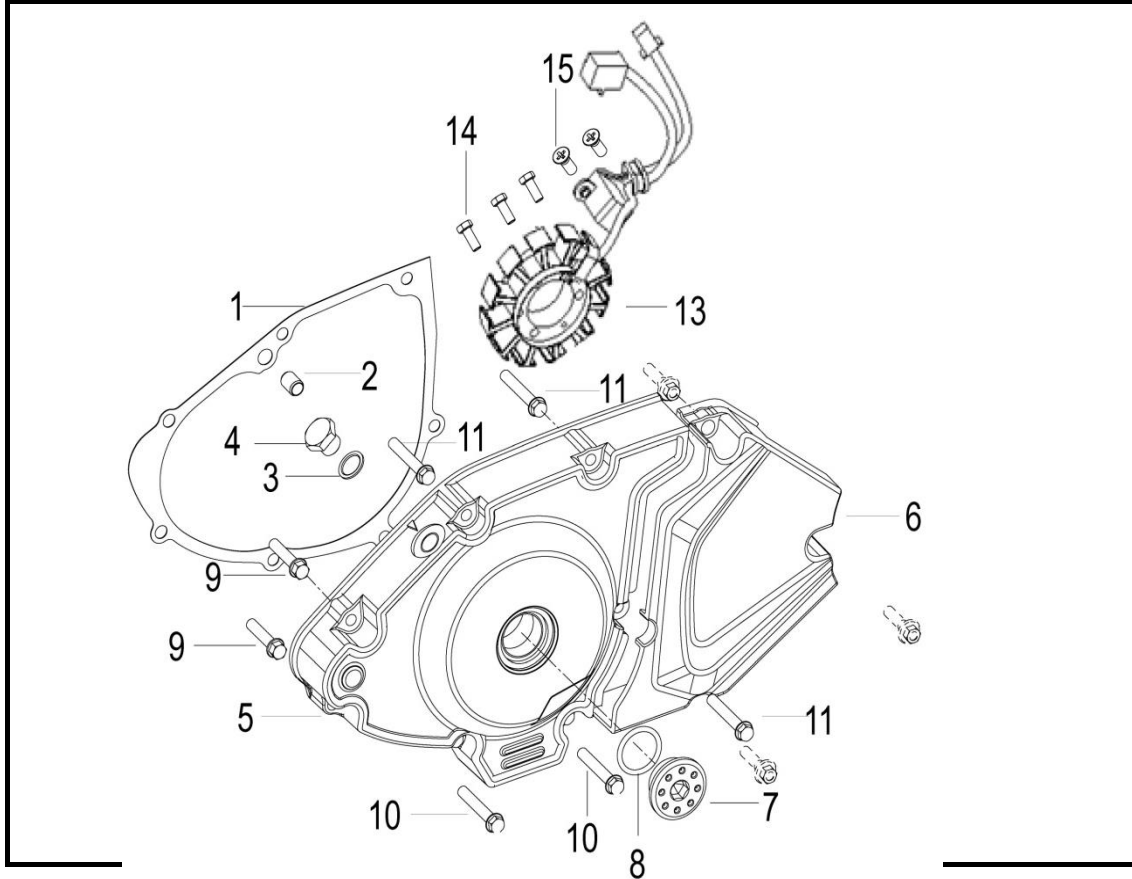
NO.	CODE	EN DESCRIPTION	Model
1	B12016000203	BERING 6002-RS/P6	RKS 125-150-ACE 150
2	B02010601263	TEN CHARACTER TROUGHS SINK A BOLT M6x12	RKS 125-150-ACE 150
3	150113090000	GEAR	RKS 125-150-ACE 150
4	B12016020403	BEARING6204/P6	RKS 125-150-ACE 150
5	150304230000	BERING 6207/P53 Z2	RKS 125-150-ACE 150
6	15910309002X	AIR CYLINDER STUD	RKS 125-150-ACE 150
7	150153090000	HOSE,BREATHER	RKS 125-150-ACE 150
8	150043090000	PIN,DOWEL	RKS 125-150-ACE 150
9	159023210090	LEFT CRANKCASE ASSY GRAY	RKS 125-150-ACE 150
10	150103090000	OIL SET	RKS 125-150-ACE 150
11	B01030501263	HEXAGONAL HEAD TAP BOLT	RKS 125-150-ACE 150
12	B190106050B0	O RING 60.5x2.4	RKS 125-150-ACE 150
13	150023090090	MESH LID GRAY	RKS 125-150-ACE 150
14	B01070602064	BOLT M6x20	RKS 125-150-ACE 150
15	15008309001X	THE SPIRAL STOPS UP	RKS 125-150-ACE 150
16	150093090000	GASKET SEAL	RKS 125-150-ACE 150
17	B01070605564	BOLT M6x55	RKS 125-150-ACE 150
18	B01070606563	BOLT M6x65	RKS 125-150-ACE 150
19	B01070606063	BOLT M6x60	RKS 125-150-ACE 150
20	B01070606064	BOLT M6x60	RKS 125-150-ACE 150
21	B01070607563	BOLT M6x75	RKS 125-150-ACE 150
22	B01070607564	BOLT M6x75	RKS 125-150-ACE 150

E07左曲轴箱分总成 LEFT CRANKCASE ASSY



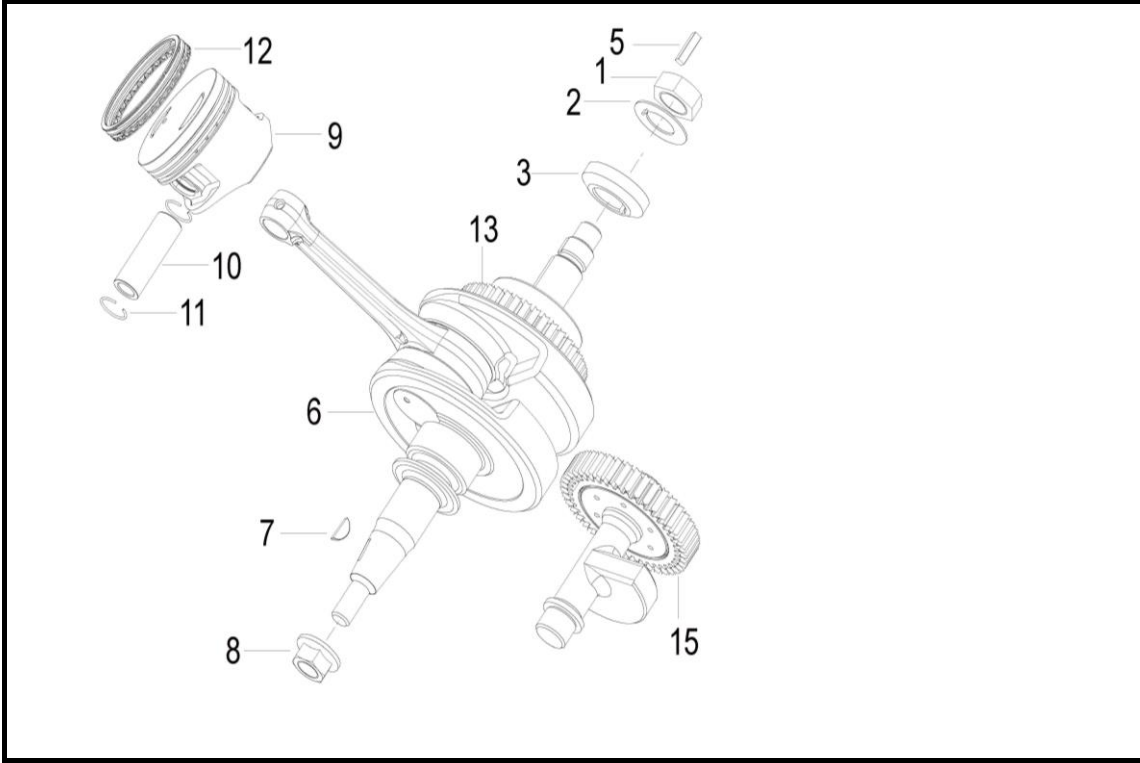
NO.	CODE	EN DESCRIPTION	Model
23	B12016020307	BEARING 6203	RKS 125-150-ACE 150
24	210083090000	WASHER 20	RKS 125-150-ACE 150
25	B01030601063	BOLT M6x10	RKS 125-150-ACE 150
26	100084050000	WASHER 5	RKS 125-150-ACE 150
27	210073090000	OIL SEAL 27X40X6	RKS 125-150-ACE 150
28	210093090000	SEAL PACKING COVER	RKS 125-150-ACE 150
29	10001305001X	BOLT M6x95	RKS 125-150-ACE 150

E08曲轴箱左盖分总成 MAGNETO COVER



NO.	CODE	EN DESCRIPTION	Model
1	169073210010	GASKET,COVER MAGNETO	RKS 125-150-ACE 150
2	150112070000	PIN,DOWEL	RKS 125-150-ACE 150
3	160253090000	O RING ϕ 12	RKS 125-150-ACE 150
4	160203090002	PLUG	RKS 125-150-ACE 150
5	169063090090	COVER,MAGNETO GRAY	RKS 125-150-ACE 150
6	169053090140	COVER,SPROCKET GRAY	RKS 125-150-ACE 150
7	160383090000	SEAL COVER	RKS 125-150-ACE 150
8	B190102240C0	O RING22.4x3.55	RKS 125-150-ACE 150
9	B01070603064	BOLT M6x30	RKS 125-150-ACE 150
10	B01070603864	BOLT M6x38	RKS 125-150-ACE 150
11	B01070604064	BOLT M6x40	RKS 125-150-ACE 150
13	299033090000	STATOR ASSY. COMP.	RKS 125-150-ACE 150
14	B01030502863	BOLT M5x28	RKS 125-150-ACE 150
15	B02040401223	SCREW M4x12	RKS 125-150-ACE 150

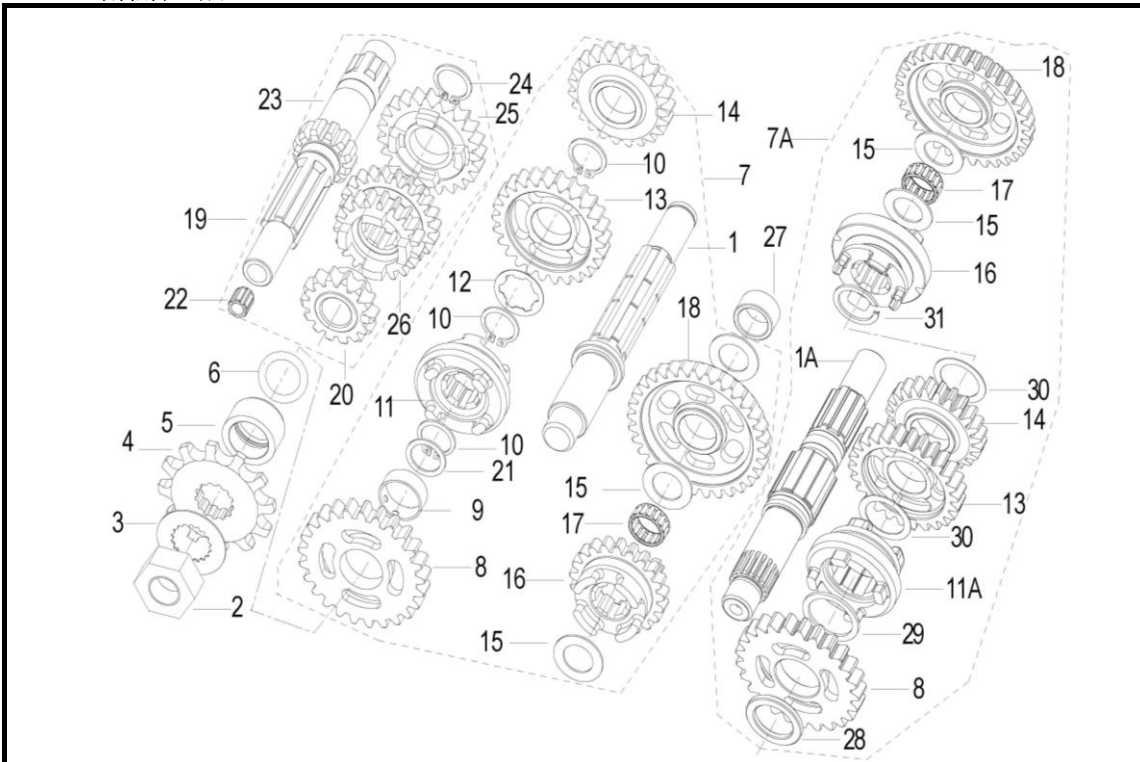
E09活塞曲轴连杆分总成 CRANKSHAFT CONROD & PISTON ASSY



NO.	CODE	EN DESCRIPTION	Model
1	170013090000	NUT M16X1.5	RKS 125-150-ACE 150
2	170023090000	WASHER	RKS 125-150-ACE 150
3	269063090000	OIL PUMP, GEAR DRIVE	RKS 125-150-ACE 150
5	170041170000	KEY 4x20	RKS 125-150-ACE 150
6	179013210002	CRANKSHAFT&CONNECTING ROD ASSY	RKS 125
6	179014180001	CRANKSHAFT&CONNECTING ROD ASSY	RKS 150-ACE150
7	B11810305013	KEY	RKS 125-150
8	260092140000	NUT	RKS 150-ACE150
8	240013060010	NUT M12	RKS 125
9	179133090003	PISTON	RKS 125-150-ACE 150
10	179143090002	PIN,PISTON	RKS 125-150-ACE 150
11	179153090000	CIRCLIPΦ14	RKS 125-150-ACE 150
12	17009309003Z	RING ASSY	RKS 125-150-ACE 150
13	179303210000	GEAR DRIVE	RKS 125-150-ACE 150
15	179243210005	BALANCE SHAFT ASSY	RKS 125
15	179244180000	BALANCE SHAFT ASSY	RKS 150-ACE150

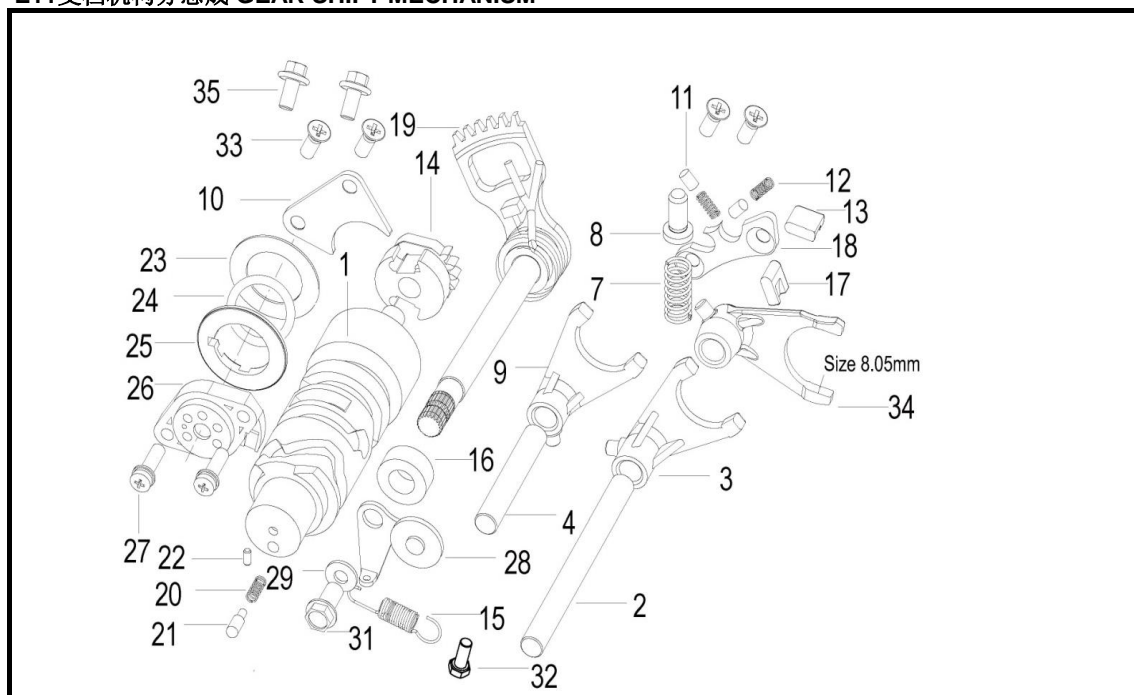
RKS 125-150-ACE150

E10主、副轴分总成 COUNTER&DRIVE SHAFT ASSY



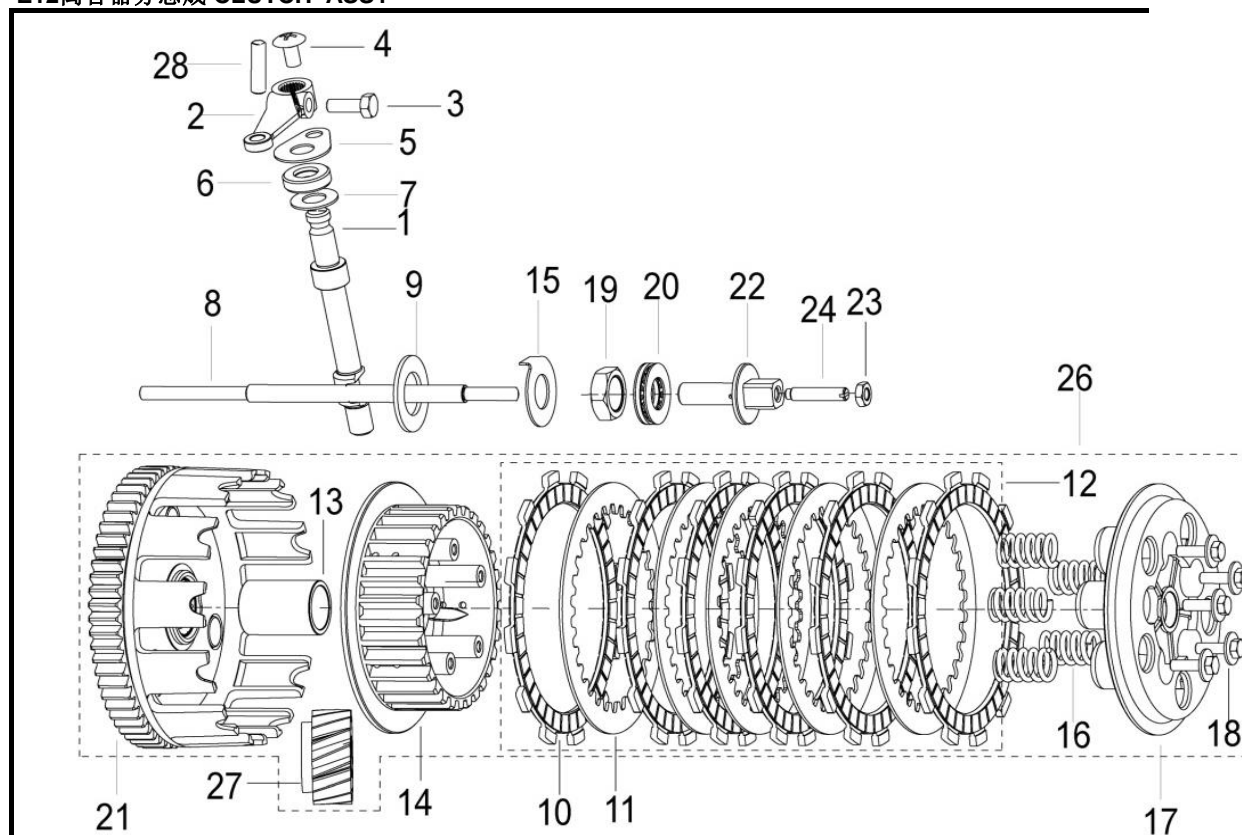
NO.	CODE	EN DESCRIPTION	Model
1	219223090000	SHAFT,DRIVE	RKS 125-150
1A	219223090010	SHAFT,DRIVE	RKS 125-150-ACE 150
2	210063090000	WASHER,LOCK M16X1.5	RKS 125-150-ACE 150
3	219313090000	GASKET, COVER MAGNETO	RKS 125-150-ACE 150
4	219303090000	SPROCKET,ENGINE 13TEETH	RKS 125-150-ACE 150
5	210053090000	SPACER	RKS 125-150-ACE 150
6	B190101900B1	O RING 19x2.65	RKS 125-150-ACE 150
7	21922309001Z	DRIVEN SHAFT ASSY	RKS 125-150
7A	219213090010	DRIVEN SHAFT ASSY	RKS 125-150-ACE 150
8	219243090000	GEAR,2ND DRIVEN	RKS 125-150-ACE 150
9	210473090000	SPACER 23x20x7	RKS 125-150
10	B080100020A0	CIRCLIP	RKS 125-150
11	210113090000	CHANGES THE FILES WHEEL	RKS 125-150
11A	210483090000	CHANGES THE FILES WHEEL	RKS 125-150-ACE 150
12	210123090000	WASHER,SPLINE 20	RKS 125-150
13	219253090000	GEAR, 3 RD DRIVEN	RKS 125-150-ACE 150
14	219263090000	GEAR, 4 TH DRIVEN	RKS 125-150-ACE 150
15	210133090000	WASHER	RKS 125-150
16	219273090000	WASHER	RKS 125-150-ACE 150
17	210463090000	BERING	RKS 125-150-ACE 150
18	219233090000	GEAR, 1ST DRIVEN	RKS 125-150-ACE 150
19	219133210000	DRIVE SHAFT ASSY	RKS 125-150-ACE 150
20	219163090000	DRIVING TWO SPEED GEAR	RKS 125-150-ACE 150
21	240062140000	WASHERS ϕ 20.2	RKS 125-150
22	210043090000	STOPS UP THE COLUMN	RKS 125-150-ACE 150
23	219143210000	SHAFT,COUNTER	RKS 125-150-ACE 150
24	B080100020A0	CIRCLIP	RKS 125-150-ACE 150
25	219193090000	DRIVING FIFTH GEAR GEAR	RKS 125-150-ACE 150
26	210033090000	INITIATIVE THREE, FOURTH SPEED GEAR	RKS 125-150-ACE 150
27	210013210000	SPACER	RKS 125-150-ACE 150
28	210013390000	WASHER	RKS 125-150-ACE 150
29	210033390000	WASHER 23	RKS 125-150-ACE 150
30	210133070000	WASHER ϕ 20	RKS 125-150-ACE 150
31	220014030000	CIRCLIP 20	RKS 125-150-ACE 150

E11变档机构分总成 GEAR SHIFT MECHANISM



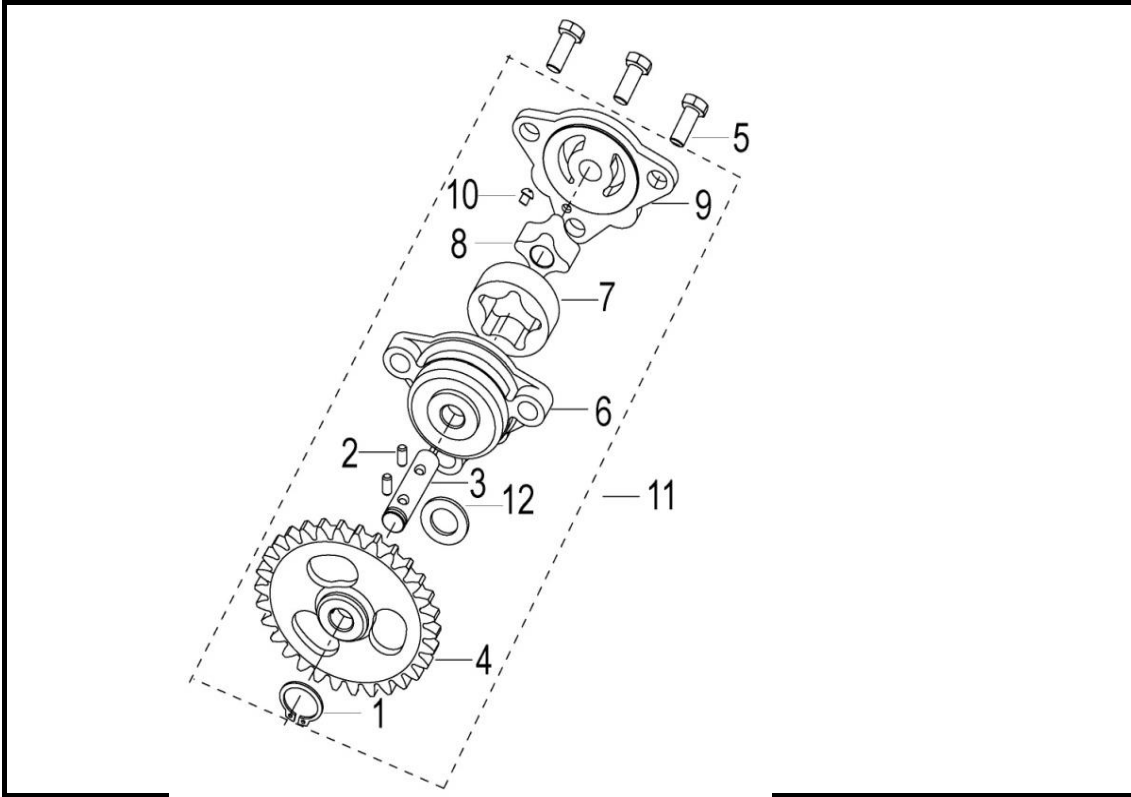
NO.	CODE	EN DESCRIPTION	Model
1	250043090000	DRUM, GEAR SHIFT	RKS 125-150-ACE 150
2	219093090000	SHAFT,GEAR SHIFT	RKS 125-150-ACE 150
3	219103090000	FORK	RKS 125-150-ACE 150
4	219083090000	SHAFT, SHIFT FORK	RKS 125-150-ACE 150
7	210393090000	LATCH SPRING	RKS 125-150-ACE 150
8	210383090000	NEUTRAL LATCH	RKS 125-150-ACE 150
9	219113090000	FORK	RKS 125-150-ACE 150
10	250063090000	ON NOTCH WHEEL THRUSTPLATE	RKS 125-150-ACE 150
11	210303090000	NOTCH WHEEL BACK-UP POST	RKS 125-150-ACE 150
12	210283090000	RATCHET SPRING	RKS 125-150-ACE 150
13	210273090000	RIGHT PAWL	RKS 125-150-ACE 150
14	250083090000	CHANGES THE FILES NOTCH WHEEL MODULE	RKS 125-150-ACE 150
15	210363090022	ABUT ARM EXTENSION SPRING	RKS 125-150-ACE 150
16	210373090000	OIL SEAL	RKS 125-150-ACE 150
17	210293090000	LEFT PAWL	RKS 125-150-ACE 150
18	250033090000	UNDER NOTCH WHEEL THRUSTPLATE	RKS 125-150-ACE 150
19	219063210000	SHAFT, GEAR SHIFT	RKS 125-150-ACE 150
20	210313090000	SPRING	RKS 125-150-ACE 150
21	210323090000	ANTENNA	RKS 125-150-ACE 150
22	B091404006B0	PIN B4x6	RKS 125-150-ACE 150
23	250073090000	WASHER	RKS 125-150-ACE 150
24	B190102580B0	O RING25.8x2.65	RKS 125-150-ACE 150
25	210253090000	CHANGES GRADE OF DRUM BACK PLATE	RKS 125-150-ACE 150
26	210263090002	FILES POSITION CONTACT DEVICE	RKS 125-150-ACE 150
27	B13080502022	SCREW W/WASHER M5x20	RKS 125-150-ACE 150
28	210353090002	ABUT ARM MODULE	RKS 125-150-ACE 150
29	210343090000	WASHERS 6	RKS 125-150-ACE 150
31	210333090000	MOVE BOLT M6	RKS 125-150-ACE 150
32	150263090000	BOLTS M4X10	RKS 125-150-ACE 150
33	B02010601263	SCREW M6X12	RKS 125-150-ACE 150
34	219103390000	FORK,LEFT	RKS 125-150-ACE 150
35	B01070601263	BOLT M6X12	RKS 125-150-ACE 150

E12离合器分总成 CLUTCH ASSY



NO.	CODE	EN DESCRIPTION	Model
1	129083090000	CAMSHAFT	RKS 125-150-ACE 150
2	209073090000	SEPARATION RELEASE LEVER	RKS 125-150-ACE 150
3	B01010601665	BOLT M6x16	RKS 125-150-ACE 150
4	B02060601224	CROSS TROUGH FLAT CUP HEAD SCREW M6x12	RKS 125-150-ACE 150
5	200173090000	CLIP	RKS 125-150-ACE 150
6	200023090000	TUMBLER AXIS OIL SEAL	RKS 125-150-ACE 150
7	200013090000	WASHER, THRUST	RKS 125-150-ACE 150
8	200013210000	PUSH ROD	RKS 125-150-ACE 150
9	200043090000	WASHER, THRUST	RKS 125-150-ACE 150
10	200083090000	PLATE, DRIVE	RKS 125-150-ACE 150
11	200093090000	PLATE, DRIVE	RKS 125-150-ACE 150
12	200473090000	CLUTCH ASSY	RKS 125-150-ACE 150
13	200053090000	SPACER	RKS 125-150-ACE 150
14	200073090000	HUB, CLUTCH SLEEVE	RKS 125-150-ACE 150
15	200163090000	LOCKING WASHER	RKS 125-150-ACE 150
16	200113090000	SPRING	RKS 125-150-ACE 150
17	200103090000	PRESSURE PLATE	RKS 125-150-ACE 150
18	B13010501605	SCREW W/WASHER M5x16	RKS 125-150-ACE 150
19	200153090000	PIECE, DIRVE	RKS 125-150-ACE 150
20	200123090000	NEEDLE BEARING	RKS 125-150-ACE 150
21	200063090000	GEAR, PRIMARY DRIVE	RKS 125-150-ACE 150
22	200143090000	SEAT, BEARING	RKS 125-150-ACE 150
23	B04000600054	NUT M6	RKS 125-150-ACE 150
24	20013309001X	SCREW M6	RKS 125-150-ACE 150
26	209013210000	CLUTCH ASSY	RKS 125-150-ACE 150
27	170393210000	GEAR DRIVE	RKS 125-150-ACE 150
28	B090406014A5	SHAFT M6x14	RKS 125-150-ACE 150

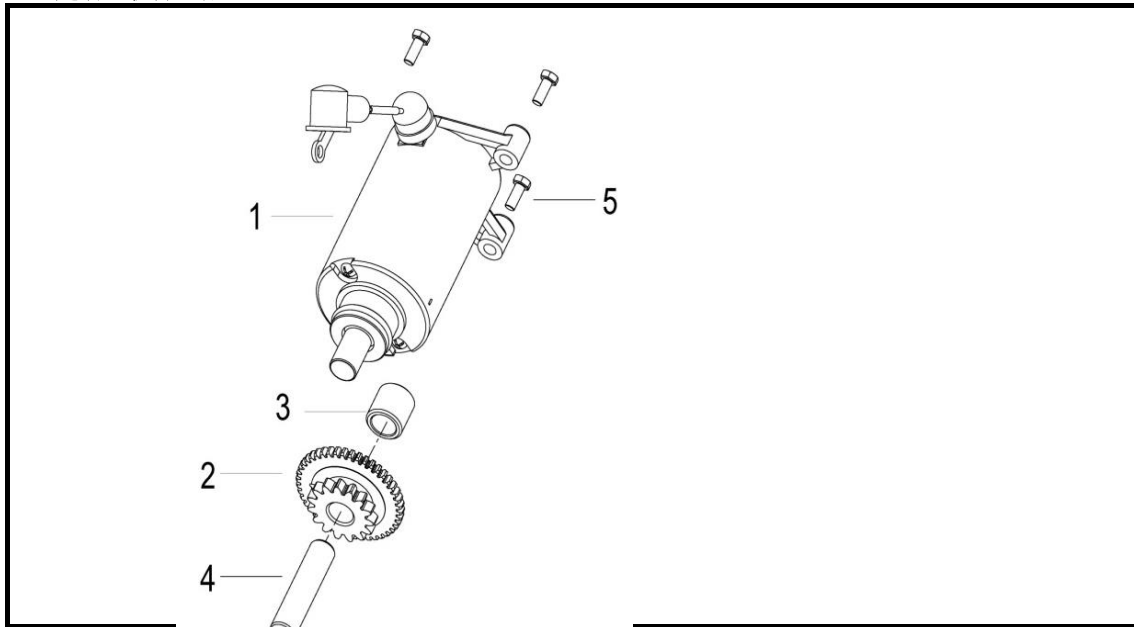
E13机油泵分总成 OIL PUMP ASSY



NO.	CODE	EN DESCRIPTION	Model
1	B08030000601	RING 6	RKS 125-150-ACE 150
2	B09012501220	PIN B2.5x12	RKS 125-150-ACE 150
3	260063090000	OIL PUMP SHAFT	RKS 125-150-ACE 150
4	260053090000	GEAR OIL PUMP	RKS 125-150-ACE 150
5	B01070602563	BOLT M6x25	RKS 125-150-ACE 150
6	260043090000	OIL PUMP BODY	RKS 125-150-ACE 150
7	260033090000	ROTOR	RKS 125-150-ACE 150
8	260023090000	OIL PUMP INNER ROTOR	RKS 125-150-ACE 150
9	260013090000	OIL PUMP EXTERNAL ROTOR	RKS 125-150-ACE 150
10	B02000300522	SCREW	RKS 125-150-ACE 150
11	269003090000	OIL PUMP ASSY	RKS 125-150-ACE 150
12	B07050000602	WASHER 6	RKS 125-150-ACE 150

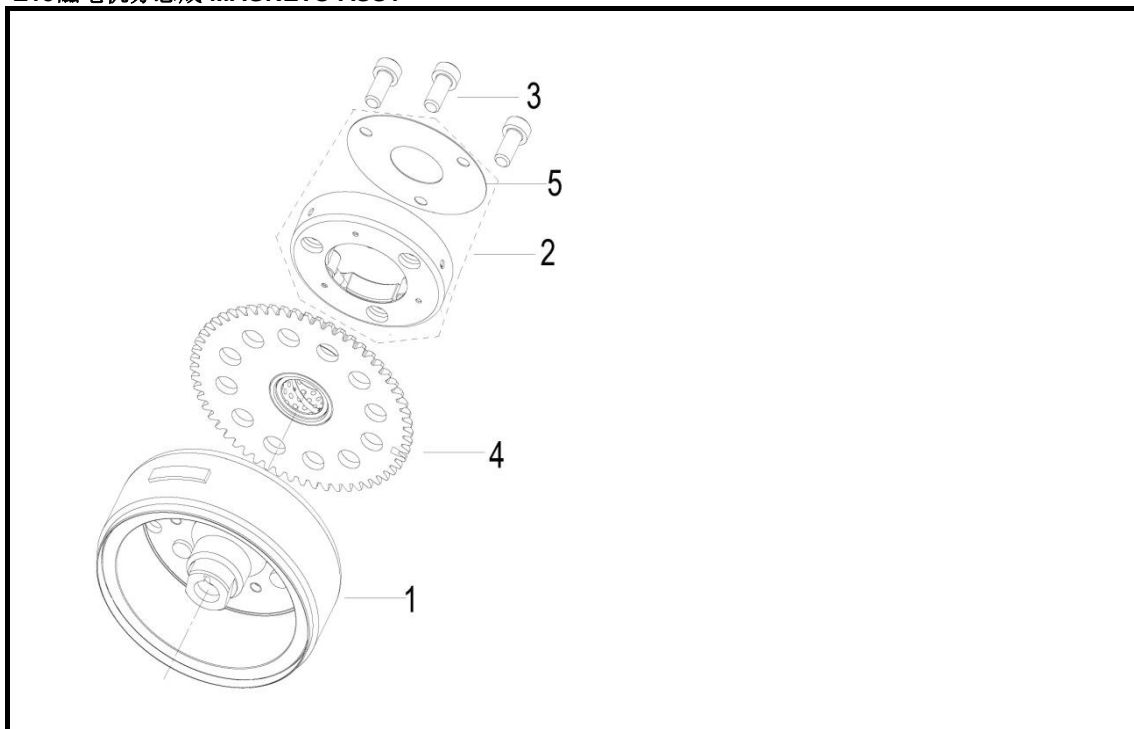
RKS 125-150-ACE150

E14 启动电机分总成 STARTING MOTOR ASSY



NO.	CODE	EN DESCRIPTION	Model
1	249013210010	STARTER MOTOR ASSY.COMP.GRAY	RKS 125-150-ACE 150
2	249043090000	START TURN IDLENESS	RKS 125-150-ACE 150
3	240013090000	BUSHING BLOCK	RKS 125-150-ACE 150
4	240023090000	HINGE PIN	RKS 125-150-ACE 150
5	B01070602564	BOLT M6x25	RKS 125-150-ACE 150

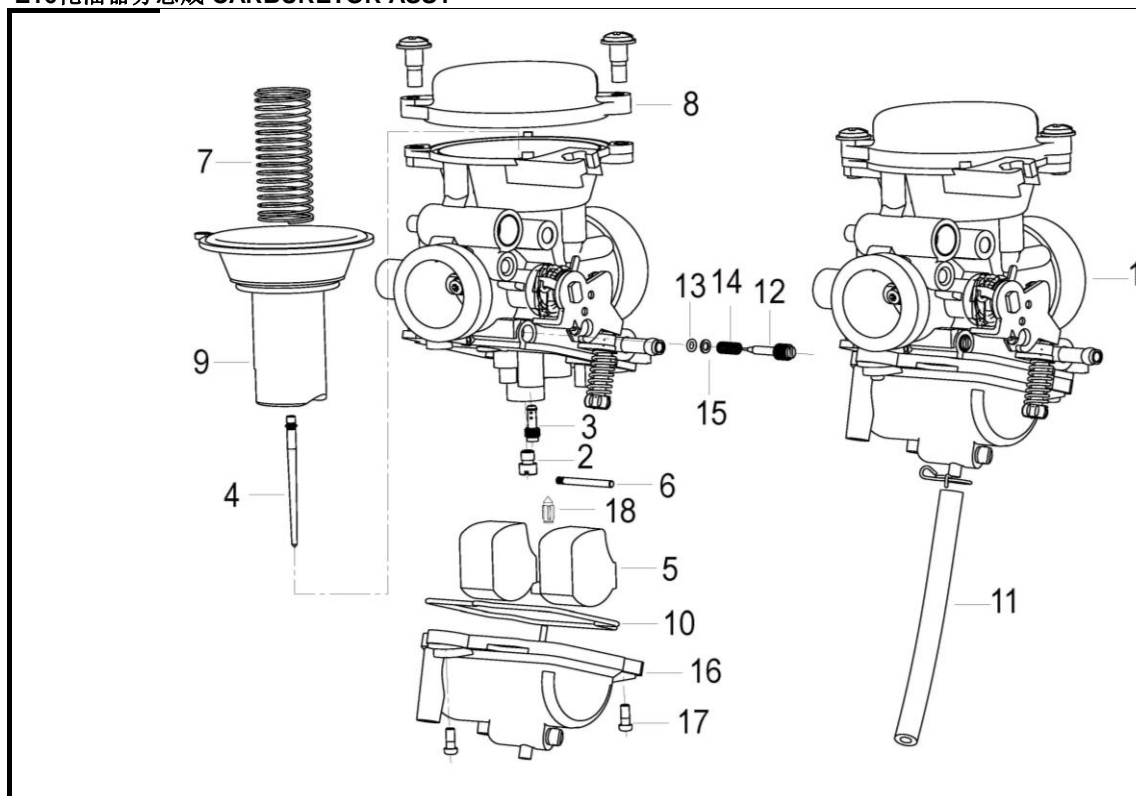
E15 磁电机分总成 MAGNETO ASSY



NO.	CODE	EN DESCRIPTION	Model
1	299023090002	ROTOR ASSY	RKS 125
1	299024180000	ROTOR ASSY	RKS 150-ACE150
2	249093230000	GEAR,STARTER	RKS 125-150-ACE 150
3	B02050601462	BOLT M6x14	RKS 125-150-ACE 150
4	240043090000	DRIVEN GEAR,STARTER	RKS 125-150-ACE 150
5	240013240000	WASHER	RKS 125-150-ACE 150

RKS 125-150-ACE150

E16化油器分总成 CARBURETOR ASSY



NO.	CODE	EN DESCRIPTION	Model
1	3390016M0000	CARBURETORASSY,MJ190#,NJ37.5#,MARK:H	RKS 125
1	3390016M0021	CARBURETOR ASSY,MJ190#,NJ37.5#,MARK:H12	RKS 125
1	3390016M0010	CARBURETOR ASSY,MJ260#,NJ37.5#,MARK:H6	RKS 150
1	3390016M0011	CARBURETOR ASSY,MJ260#,NJ37.5A#,MARK:H7	RKS 150
1	3390016M0014	CARBURETOR ASSY,MJ260#,NJ37.5B#,MARK:H7A	RKS 150-ACE150
1	3390016M0025	CARBURETOR ASSY,MJ240#,NJ37.5B#,MARK:H8A	RKS 150
2	3311516M0010	MAIN JET 190#	RKS 125
2	3311516M0011	MAIN JET 260#	RKS 150-ACE150
2	3311516M0000	MAIN JET 240#	RKS 150
3	3312416M0000	IDLE JET,mark:37.5	RKS 125-150
3	3312416M0011	IDLE JET,mark:37.5A	RKS 125
3	3312416M0006	IDLE JET,mark:37.5B	RKS 125-150-ACE150
4	3324216M0000	NEEDLE	RKS 125-150-ACE150
5	3340116M0000	FLOAT	RKS 125-150-ACE150
6	3340616M0000	PIN,FLOAT	RKS 125-150-ACE150
7	3322416M0000	SPRING	RKS 125-150-ACE150
8	3328216M0000	COVER ASSY.UPPER	RKS 125-150-ACE150
9	3322216M0000	VALVE ASSY.PISTON	RKS 125-150-ACE150
10	3351416M0000	SEAL	RKS 125-150-ACE150
11	3351216M0000	PIPE	RKS 125-150-ACE150
12	3314516M0000	SCREW, AIR QJ	RKS 125-150-ACE150
13	3315001M0000	SCREW, IDLE SPEED QJ	RKS 125-150-ACE150