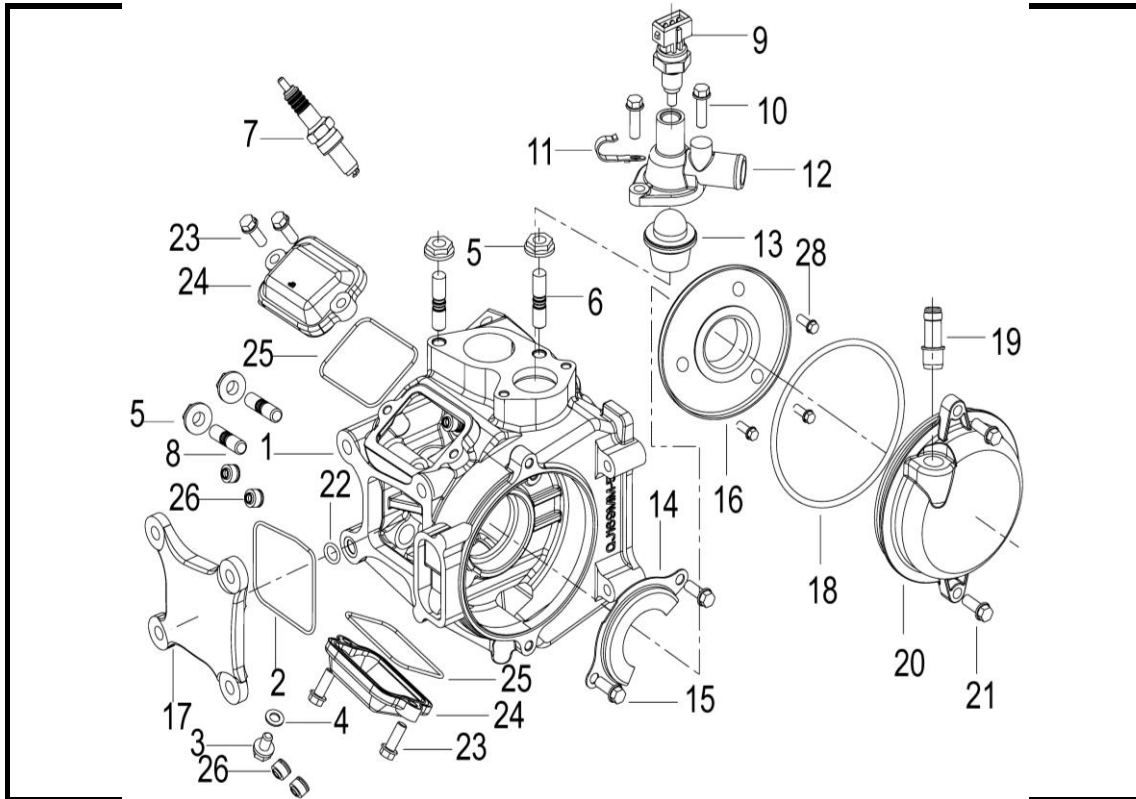
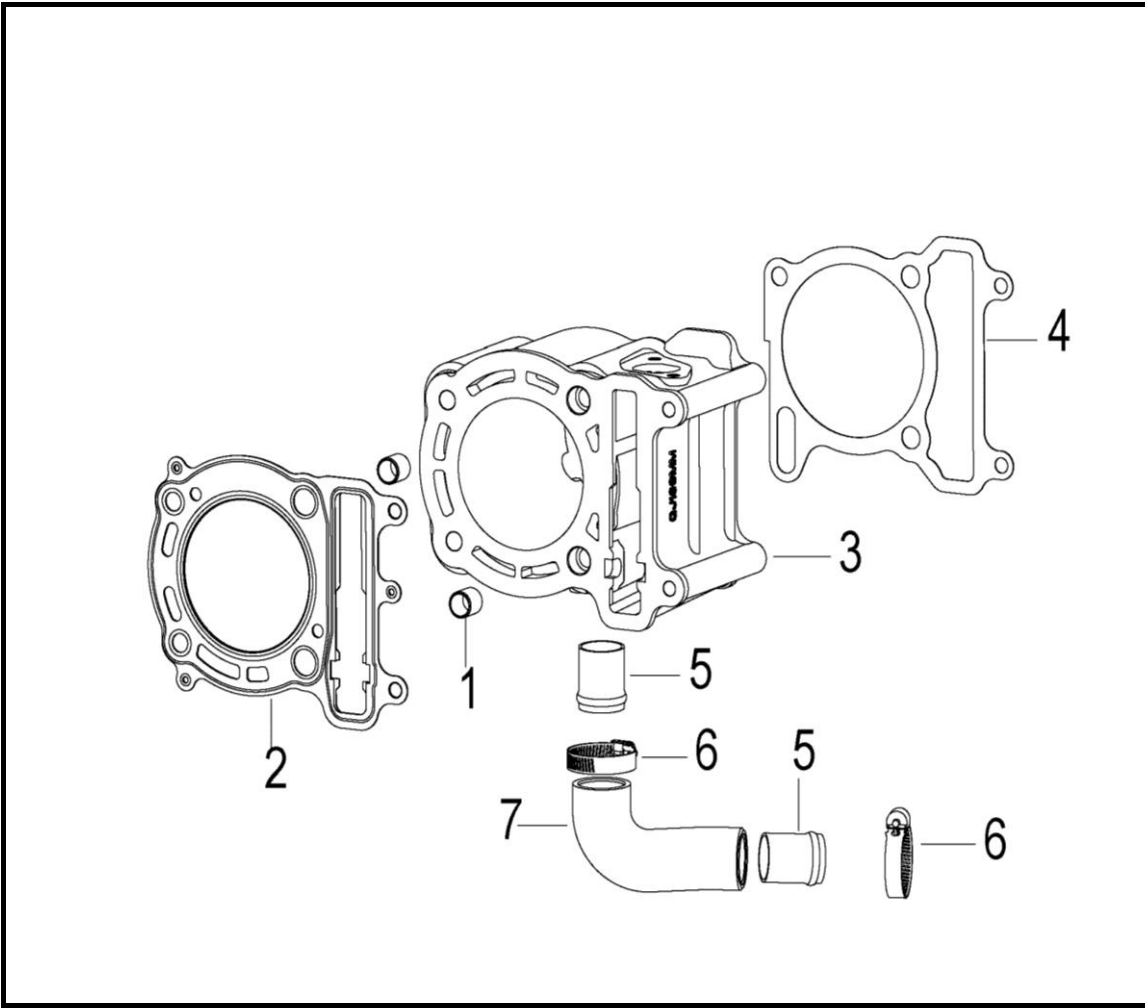


E01 气缸盖罩分总成CYLINDER HEAD ASSY



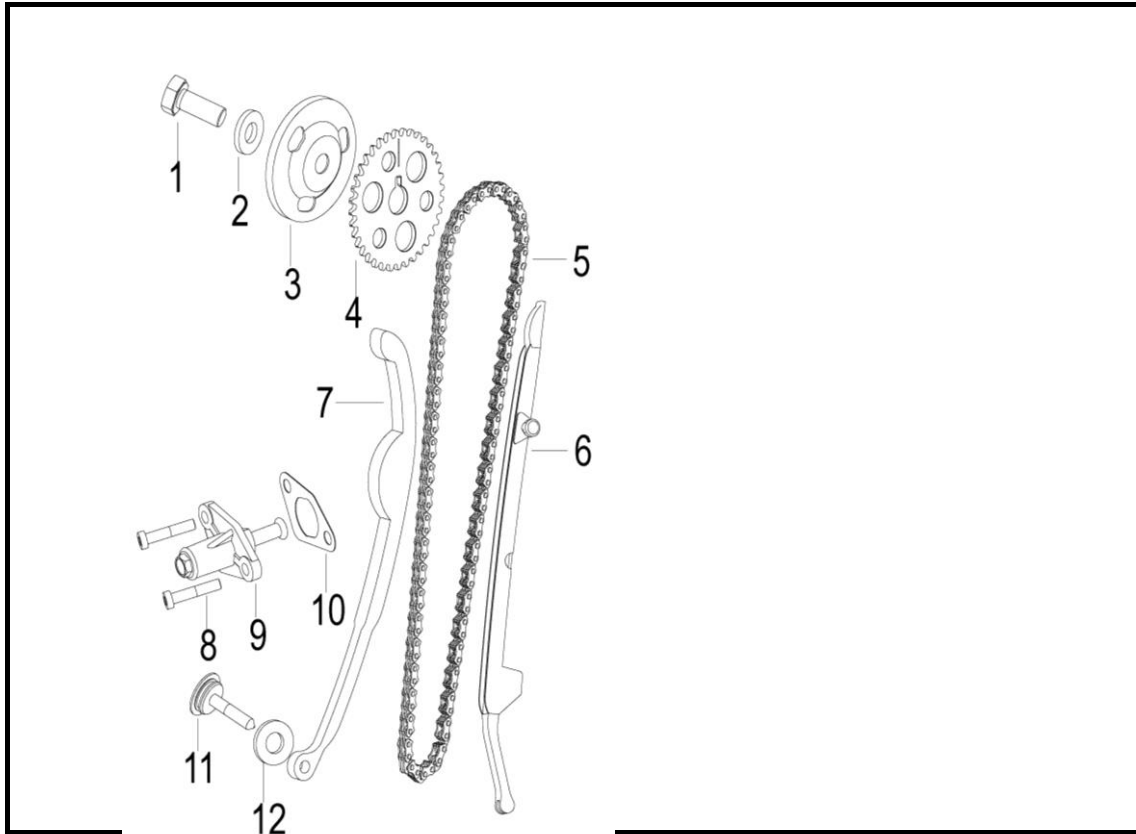
NO.	CODE	EN DESCRIPTION
1	109055090011	CYLINDER HEAD,ASM
2	110045090000	O-RING Φ1.8×63.6
3	12007505001X	BOLT
4	150013070000	WASHER
5	B04170800052	NUT M8
6	100046090000	SCREW STUD M8×41
7	299073160000	SPARK PLUG,NGK CR8E
8	12003505001X	SCREW STUD M8×36.5
9	270013160002	SENSOR OF WATER TEMPERATURE
10	B01070602064	BOLT M6×20
11	100175050000	CLIP
12	100085050001	THERMOSTAT COVER
13	270105050000	THERMOSTAT COVER ASSY
14	110035090000	LIMIT BOARD
15	B01070601264	BOLT M6×12
16	100135050000	BREATHING ROOM COVER WELDING SUB-ASSEMBLY
18	100025050000	O-RING Φ92.5X3.5
19	159095050000	SNORKEL
20	100025090030	SPROCKET COVER
21	B01070601664	BOLT M6×16
22	B190100860A0	O-RING Φ8.6×1.9
23	B01070601664	BOLT M6×16
24	120025090010	VALVE ADJUSTING SCREW COVER
25	120115090000	O-RING Φ1.8×60.078
26	120015090000	VALVE SEAL ASSY
27	110025090010	COPING,CYLINDER HEAD,SILVER
28	B13080401023	SCREW W/WASHER M4×10

E02 气缸体分总成CYLINDER ASSY



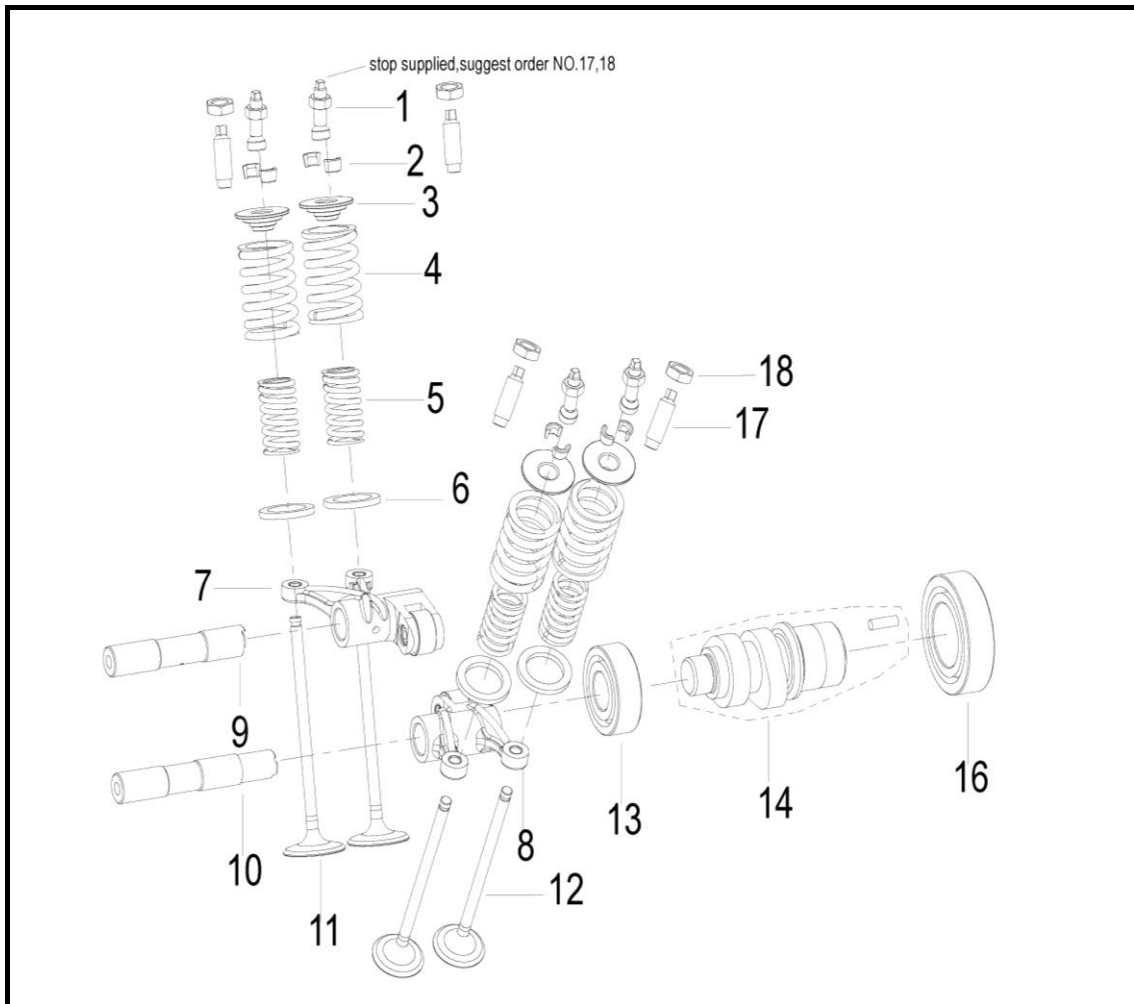
NO.	CODE	EN DESCRIPTION
1	130015090000	PIN DOWEL
2	100065090000	GASKET,CYLINDER HEAD
3	139035090010	CYLINDER
4	139025050010	CYLINDER GASKET
5	100156110000	OUTLET WATER PIPE CONNECTOR
6	330265050000	CLIP
7	130025090000	INLET PIPE

E03 正时传动张紧机构分总成CHAIN&TRANSMISSION MECHANISM



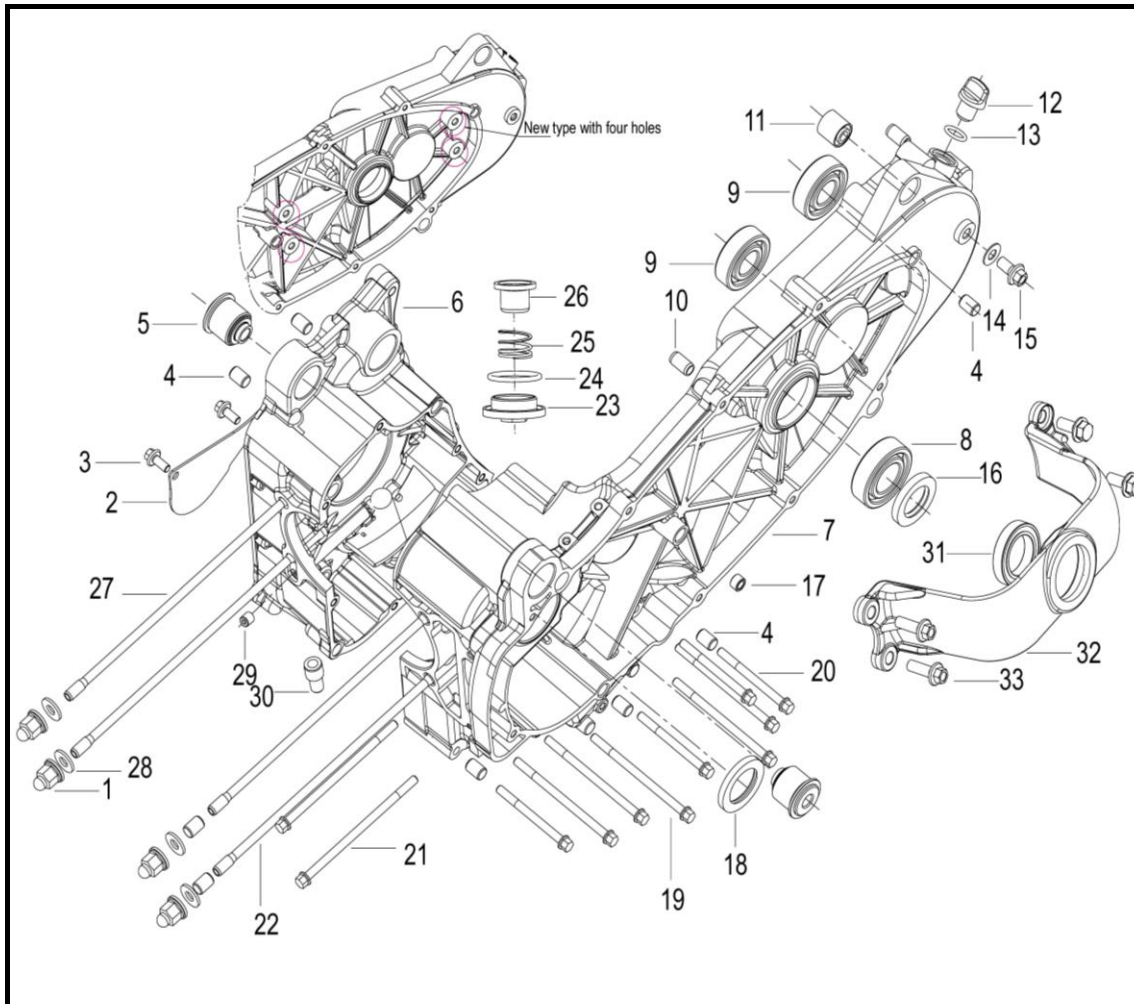
NO.	CODE	EN DESCRIPTION
1	14008505001X	SPROCKET BOLT
2	14007505001X	WASHER
3	140055050000	SPROCKET DOOR
4	129035050000	TIMING CHAIN SPROCKET BIG
5	140035050000	CHAIN
6	149025050000	ASSISTANT LINK JOINT
7	149015050000	MAIN LINK JOINT
8	B02050601622	SCREW M6x16
9	149015090000	TENSIONER ASSY
10	140025090000	TENSIONER WASHER
11	14004505001X	LINK JOINT SCREW
12	140065050000	O-RING 14.8x1.9

E04 配气机构分总成INTAKE&EXHAUST MECHANISM



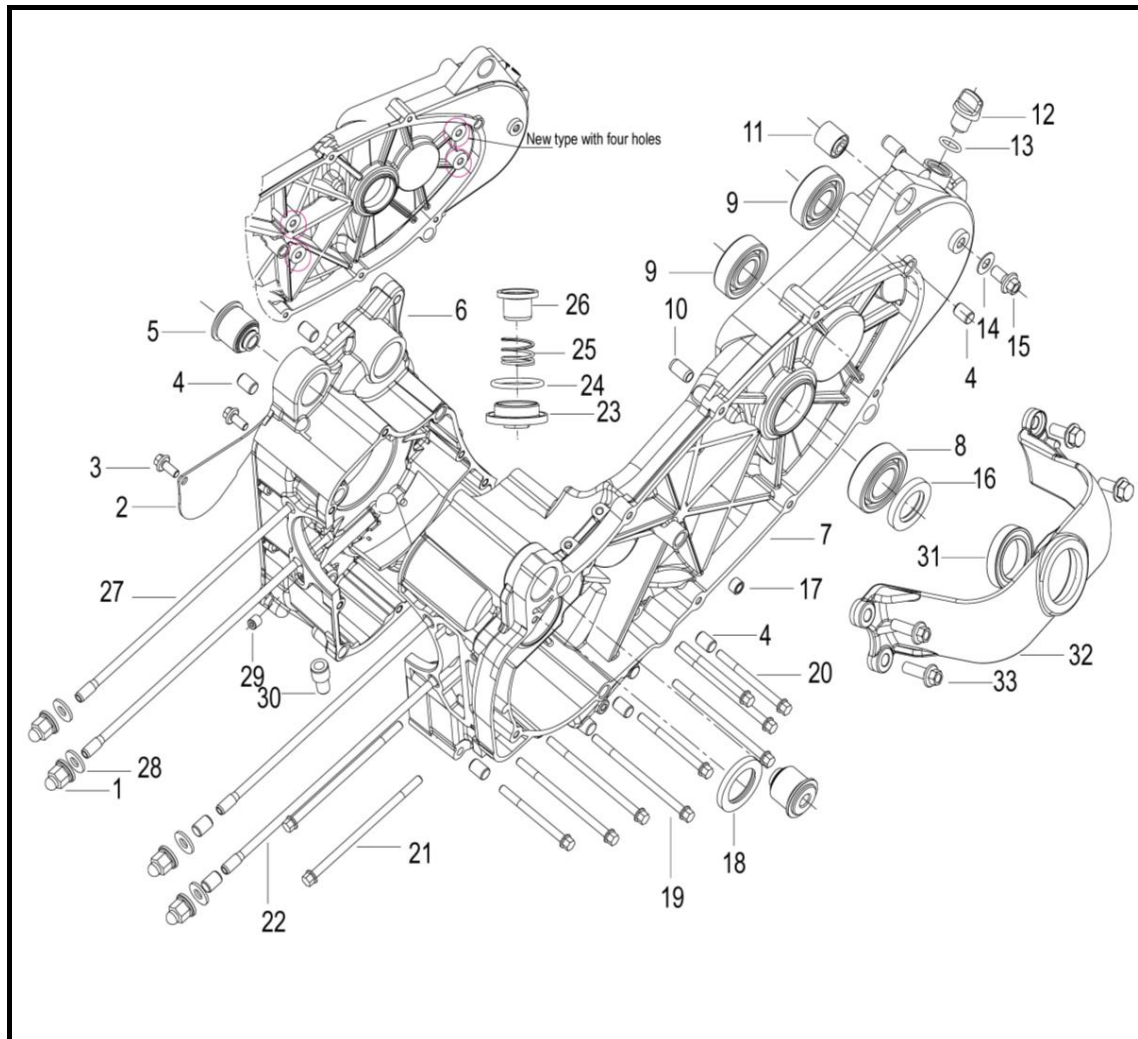
NO.	CODE	EN DESCRIPTION
1	120203140000	ADJUSTING SCREW ASSY, VALVE
2	129225090000	COTTER, VALVE
3	129205090000	UPPER SEAT, VALVE SPRING
4	129265090000	SPRING,
5	129255090000	SPRING,
6	129215090001	VALVE SPRING HOLDER, LOWER
7	120045090001	ARM, VALVE ROCKER, INTAKE
8	120035090001	ARM, VALVE ROCKER, EXHAUST
9	129165090000	INTAKE ROCKER SHAFT
10	129175090000	EXHAUST ROCKER SHAFT
11	129185090000	INTAKE VALVE
12	129195090000	EXHAUST VALVE
13	B12016020204	BEARING 6202/P6
14	129075090000	CAM SHAF
16	B12016000505	BEARING 6005/P6
17	120313090000	ADJUSTING SCREW
18	B04000600054	NUT M6

E05 曲轴箱分总成CRANKCASE ASSY



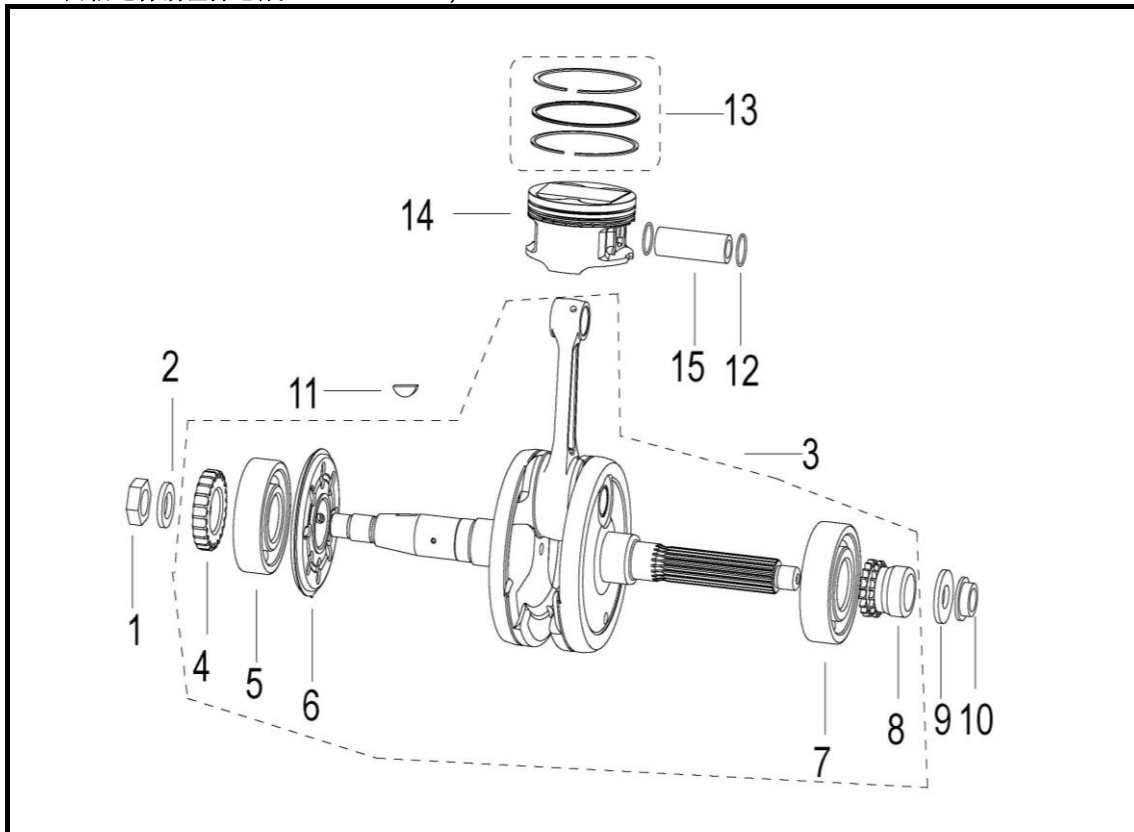
NO.	CODE	EN DESCRIPTION
1	15024505001X	NUT M8
2	150175050000	COVER
3	B01070601463	BOLT M6×14
4	150083070000	PIN DOWEL
5	150015050000	BUSH,ENGINE HANGER
6	159036160010	CRANKCASE SUBASSEMBLY,RIGHT
7	159025090020	CRANKCASE SUBASSEMBLY, LEFT
8	B12016020507	BEARING 6205/P6
9	B12016020403	BEARING 6204/P6
10	150016090000	PIN DOWEL 10×16
11	150012080000	BUSH,ENGINE HANGE
12	220032080000	PLUG SEE
13	220042080000	O-RING 14×2.65
14	210013050000	WASHER
15	22007208002X	BOLT M8×16
16	150145050000	OIL SEAL 25×42×6

E05 曲轴箱分总成CRANKCASE ASSY



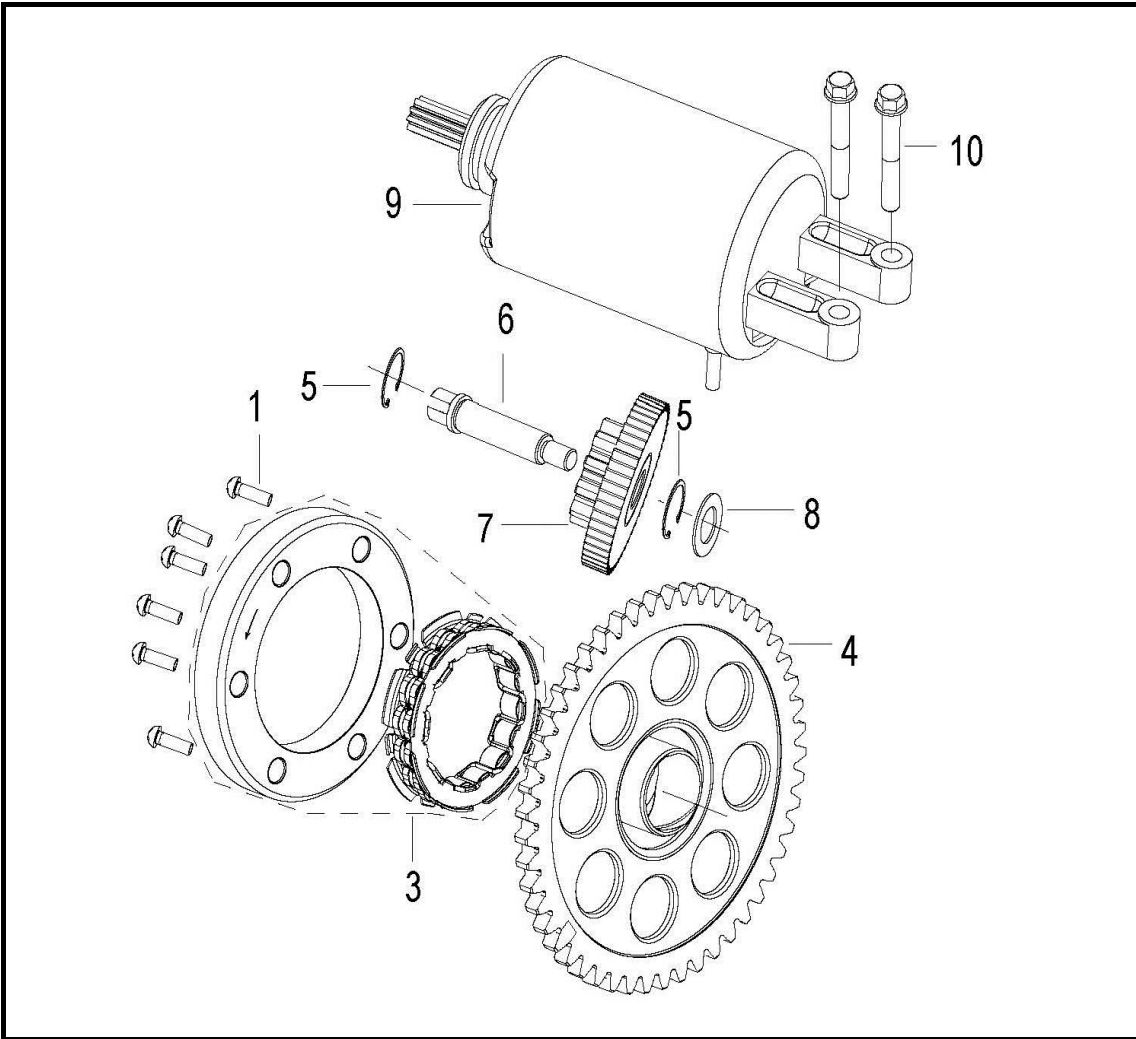
NO.	CODE	EN DESCRIPTION
18	150035050000	OIL SEAL 30x45x5
19	15008505001X	BOLT M6x100
20	15007505001X	BOLT M6x70
21	15009505001X	BOLT M6x120
22	159105090000	BOLT,STUD(M8*255)
23	150215040000	BOLT,OIL
24	150205050000	O-RING 35x3.4
25	150195050000	SPRING
26	150105050000	FILTER ASSY
27	159115090000	BOLT,STUD(M8*260)
28	150135050010	WASHER
29	150055050000	HOSE
30	150045050000	HOSE
31	B12016190601	BEARING 61906-2LS
32	150045090000	BRACKET
33	B01070802064	BOLT M8x20

E06 曲轴连杆活塞分总成CRANKSHAFT, CONNECTING ROD AND PISTON ASSY



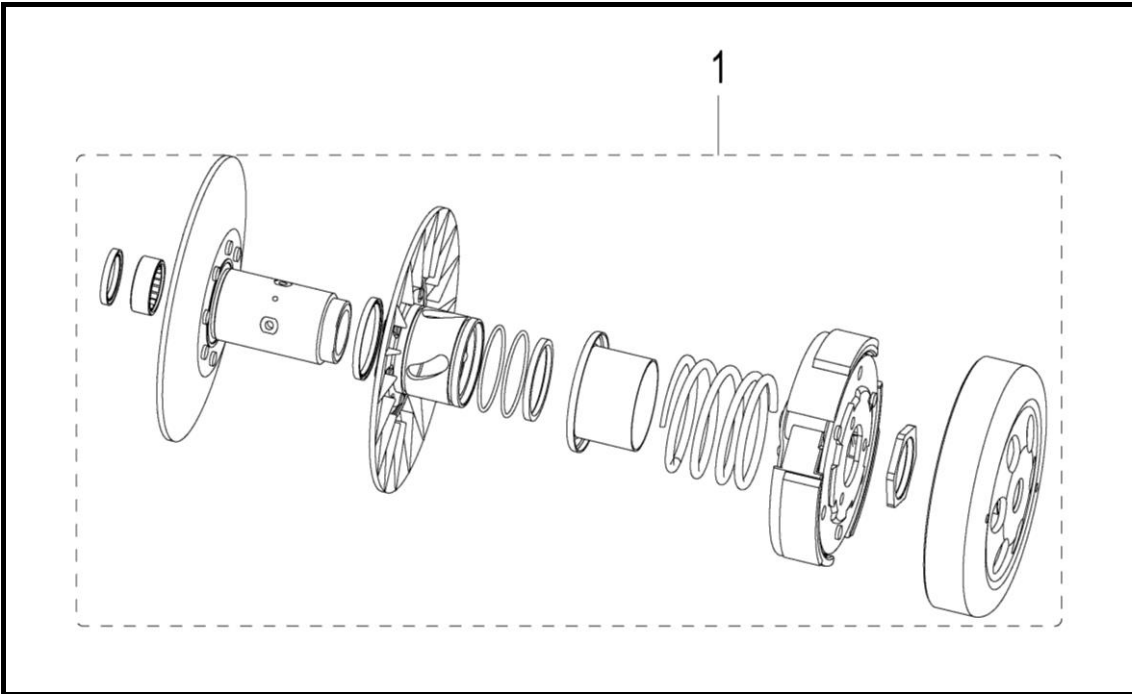
NO.	CODE	EN DESCRIPTION
1	17004505001X	NUT
2	17005505001X	WASHER
3	179015090010	CONNECTING ROD ASSY
4	220095050000	GEAR
5	B12016032801	BEARING
6	170095050000	OIL TRAY SUBASSEMBLY
7	B12016030601	BEARING
8	170025090000	SPROCKET,CRANK
9	17007505002X	WASHER
10	17008505001X	NUT
11	170065050000	KEY,WOODRUFF
12	179155050000	RETAINING RING, PISTON PI
13	170035090000	PISTON RING ASSY
14	179135090000	PISTON
15	179145050000	PISTON PIN

E07 电启动分总成STARTING MOTOR ASSY



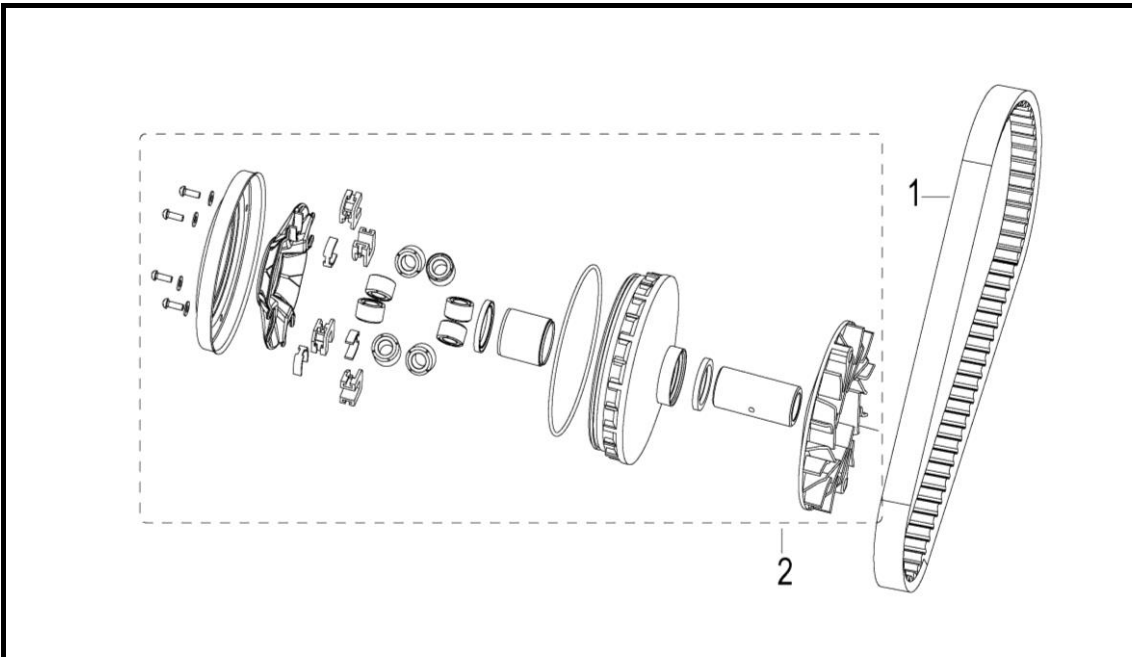
NO.	CODE	EN DESCRIPTION
1	29001307001X	SCREW M8x16
3	240063160000	STARTING CLUTCH SUBASSEMBLY
4	249075050001	GEAR SUBASSEMBLY,STARTING DRIVEN
5	B08010001201	CIRCLIP 12
6	270025050000	SHAFT PIN
7	240025050000	STARTING MOTOR GEAR
8	270075050000	WASHER
9	249015050000	MOTOR
10	B01070602564	BOLT M6x25

E08 后离合器组件CLUTCH ASSY.



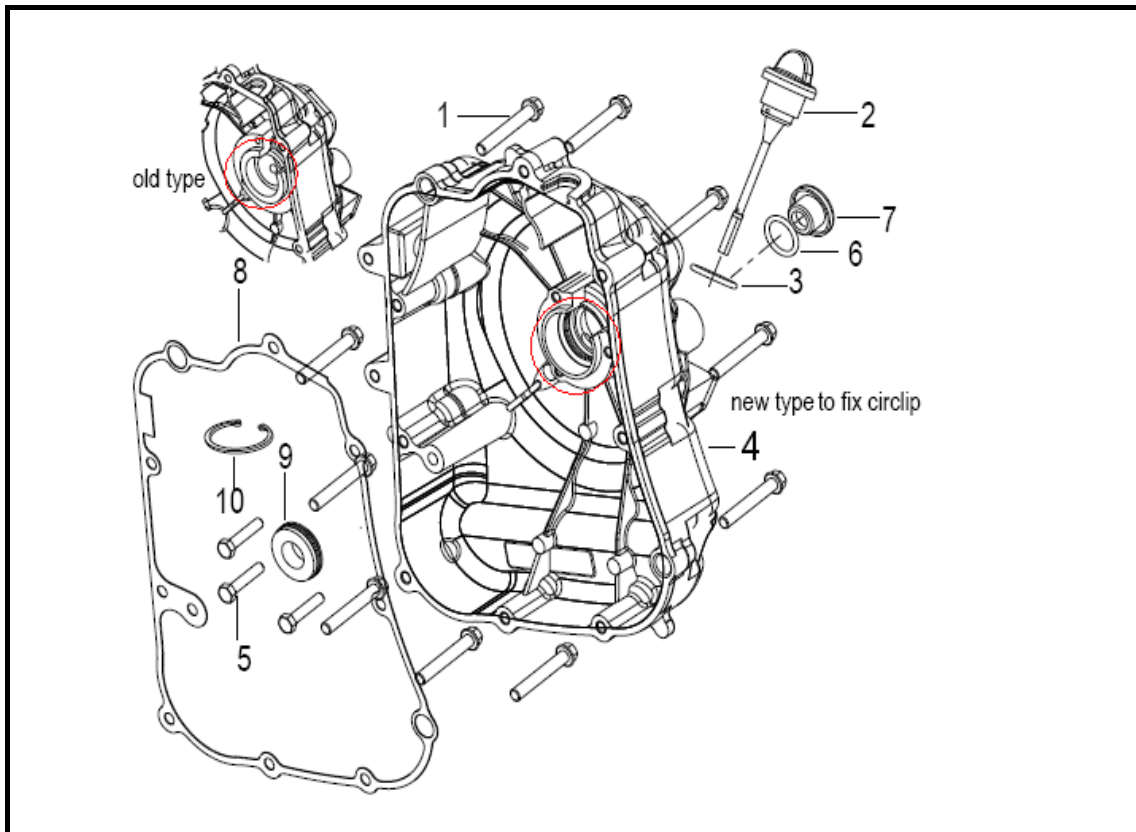
NO.	CODE	EN DESCRIPTION
1	200025090000	PULLEY ASSY, DRIVEN

E09 前离合器组件CLUTCH ASSY.FRONT



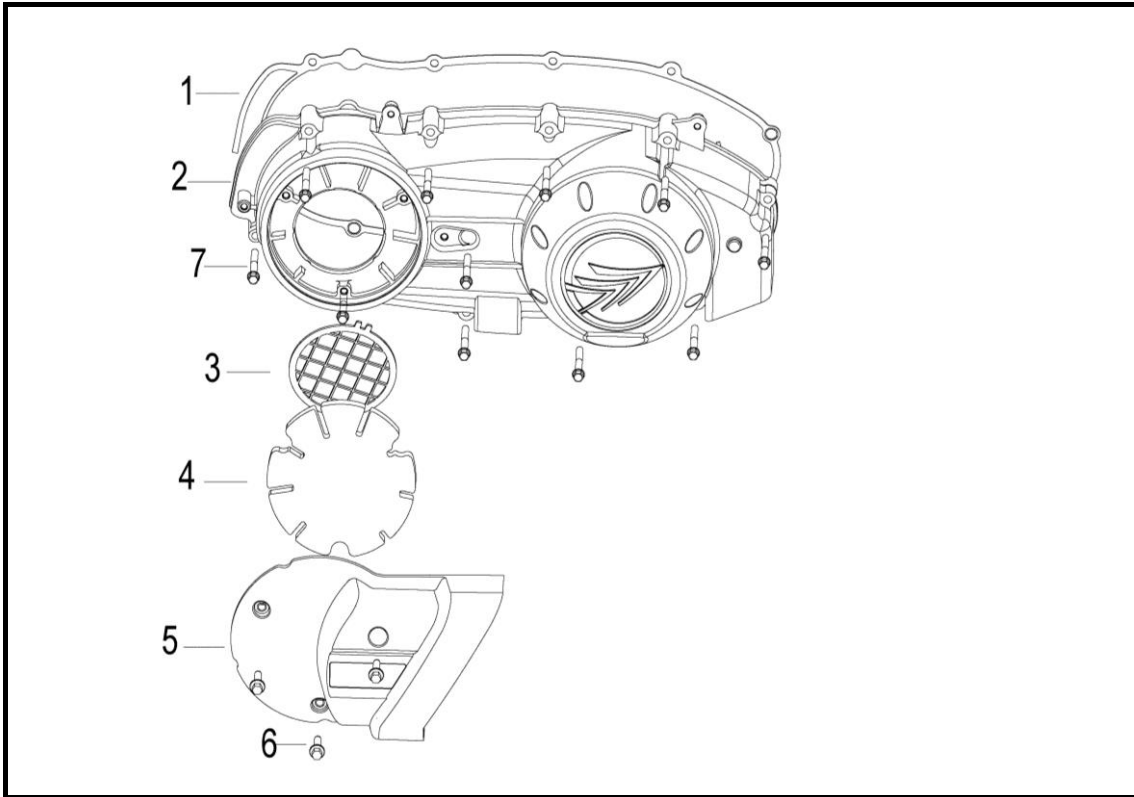
NO.	CODE	EN DESCRIPTION
1	209136160010	STRAP
2	200015090000	FRONT CLUTCH ASSEMBLY

E10 右曲轴箱盖部件RIGHT CRANKCASE COVER ASSY



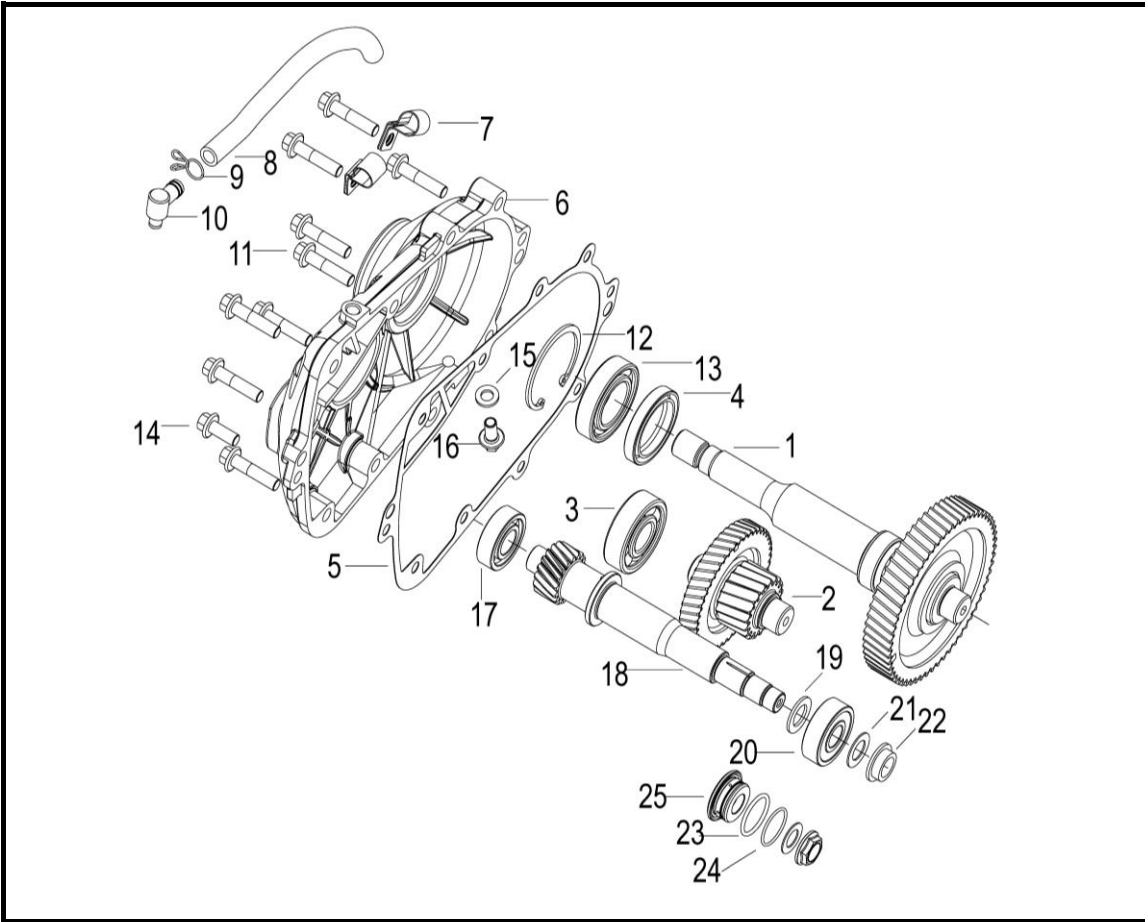
NO.	CODE	EN DESCRIPTION
1	16003505001X	BOLT M6x40
2	169185050000	GAUGE,OIL LEVEL
3	150283070000	O-RING 20x2.5
4	169105050100	CRANKCASE COVER,RIGHT
5	B02050502563	SCREW M5x25
5	B02050602563	SCREW M6x25
6	150025050000	O-RING 16x2.4
7	169165050010	PLUG,COVER MAGNETO
8	169115050010	GASKET OF RIGHT COVER
9	160015050000	OIL SEAL 14x27x8
10	B08000002800	CIRCLIP 28

E11 左曲轴箱盖部件LEFT CRANKCASE COVER ASSY



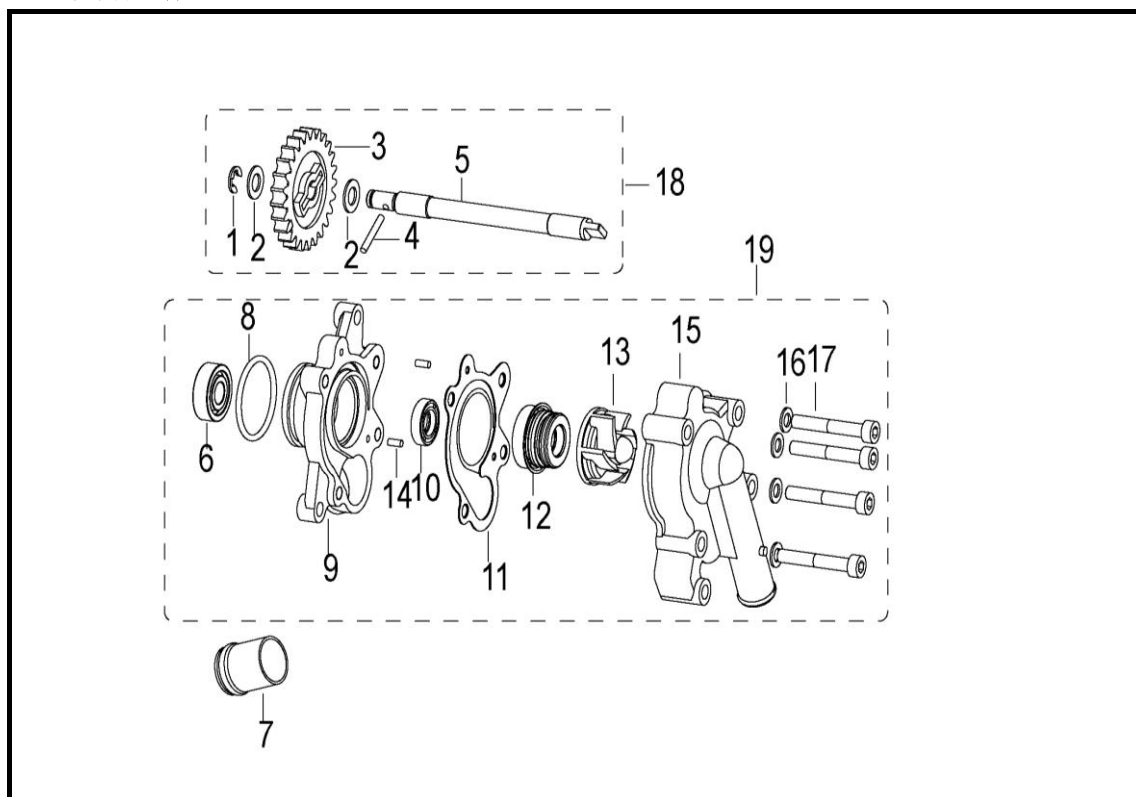
NO.	CODE	EN DESCRIPTION
1	160045050010	LEFT CRANKCASE COVER GASKET
2	169025090023	CRANKCASE COVER LEFT
3	160045090000	CLAPBOARD
4	160035090000	FILTRATION,AIR
5	270025090001	FRONT COVER,FRONT
6	B01070602064	BOLT M6×20
7	16003505001X	BOLT M6×40

E12 后级变速系统分总成 GEAR BOX & TRANSMISSION SYSTEM



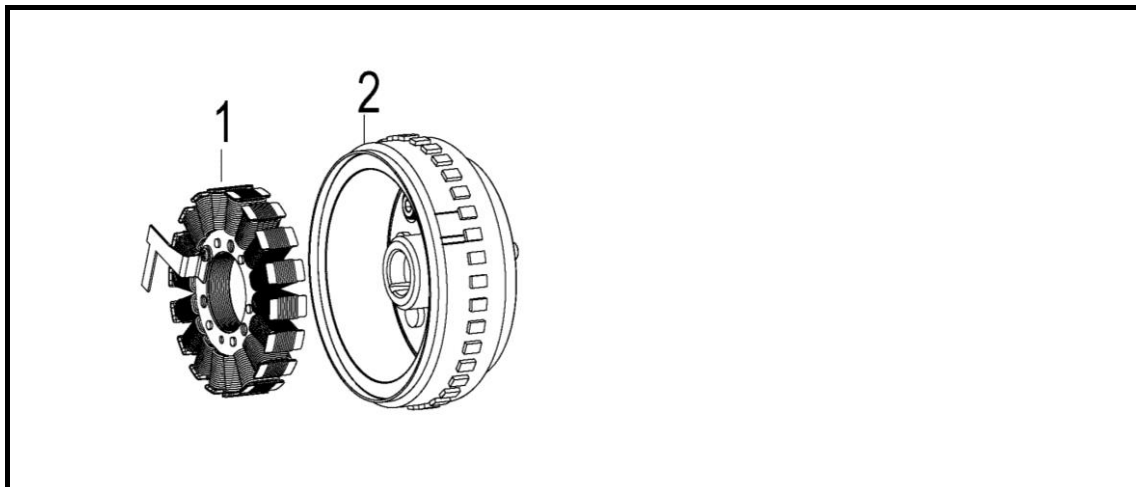
NO.	CODE	EN DESCRIPTION
1	220015090001	OUTLET SHAFT ASSY
2	210045090001	SHAFT, IDLE
3	B12016030402	BEARING 6304/P6
4	B22040B38528	OIL SEAL B 52x38
5	210035090000	GASKET OF GEAR-BOX COVER
6	229105090011	COVER, GEAR BOX
7	220065090000	HOLDER, CABLE
8	220075090000	PIPE, AIR
9	11004305002X	CLIP
10	150115050000	PIPE TIE-IN
11	B01070803564	BOLT M8x35
12	B080000055A1	CIRCLIP 55
13	B12016000602	BEARING 6006-2Z
14	B02050802064	SCREW M8x20
15	210013050000	WASHER
16	22007208002X	BOLT M8x16
17	B12016020302	BEARING D6203/P53
18	229045090002	DRIVE SHAFT
19	210054030000	CIRCLIP Φ15
20	B12016030204	BEARING 6302-2RS
21	150173070000	CIRCLIP Φ14
22	17008505001X	NUT
23	B190102800B0	O-RING 28x2.65
24	B190102650B0	O-RING 26.5x1.8
25	220085090000	SPACER

E13 水泵分组件 WATER PUMP ASSY



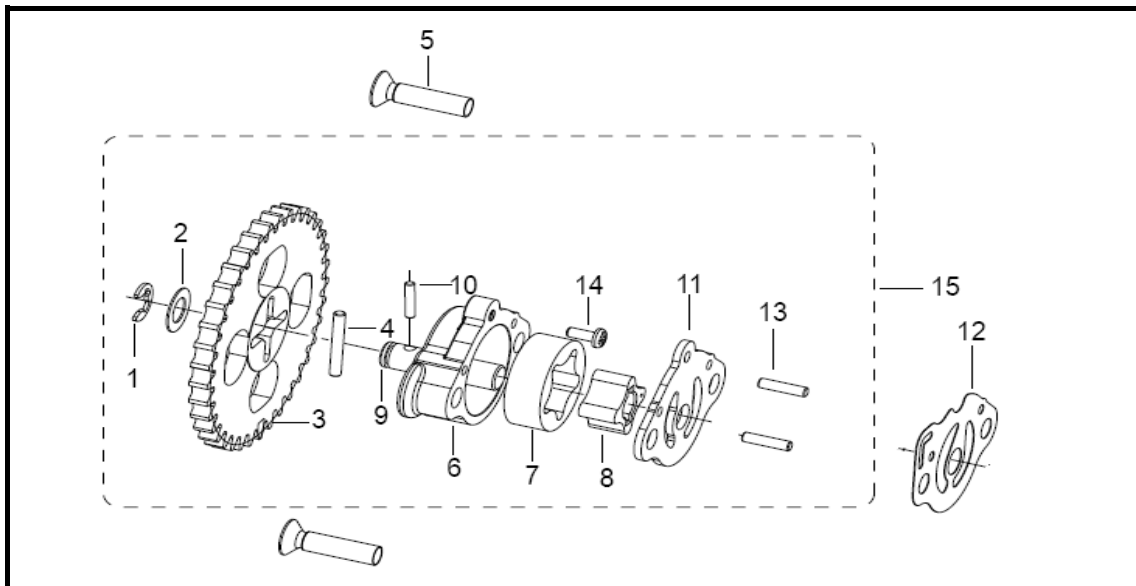
NO.	CODE	EN DESCRIPTION
1	B08030000601	CIRCLIP
2	260135050000	WASHER
3	270115050000	GEAR ASSY
4	B090103022B0	STEEL B3x22
5	279225050000	WATER PUMP SHAFT
6	B12016000002	BEARING 6000
7	100156110000	OUTLET WATER PIPE CONNECTOR
8	270365050000	O-RING
9	279315090000	WATER PUMP BODY
10	270195050000	OIL SEAL
11	270325050000	WATER PUMP SEAL
12	270015050000	OIL SEAL ASSY
13	279215050000	IMPELLER SHAFT
14	B091403008B0	STEEL B3x8
15	279335050000	WATER PUMP
16	120085050000	WASHER
17	B02050603564	SCREW M6x35
18	271005050010	PUMP GEAR ASSY
19	279255090000	ASSY,WATER PUMP

E14 磁电机分总成MAGNETO ASSY



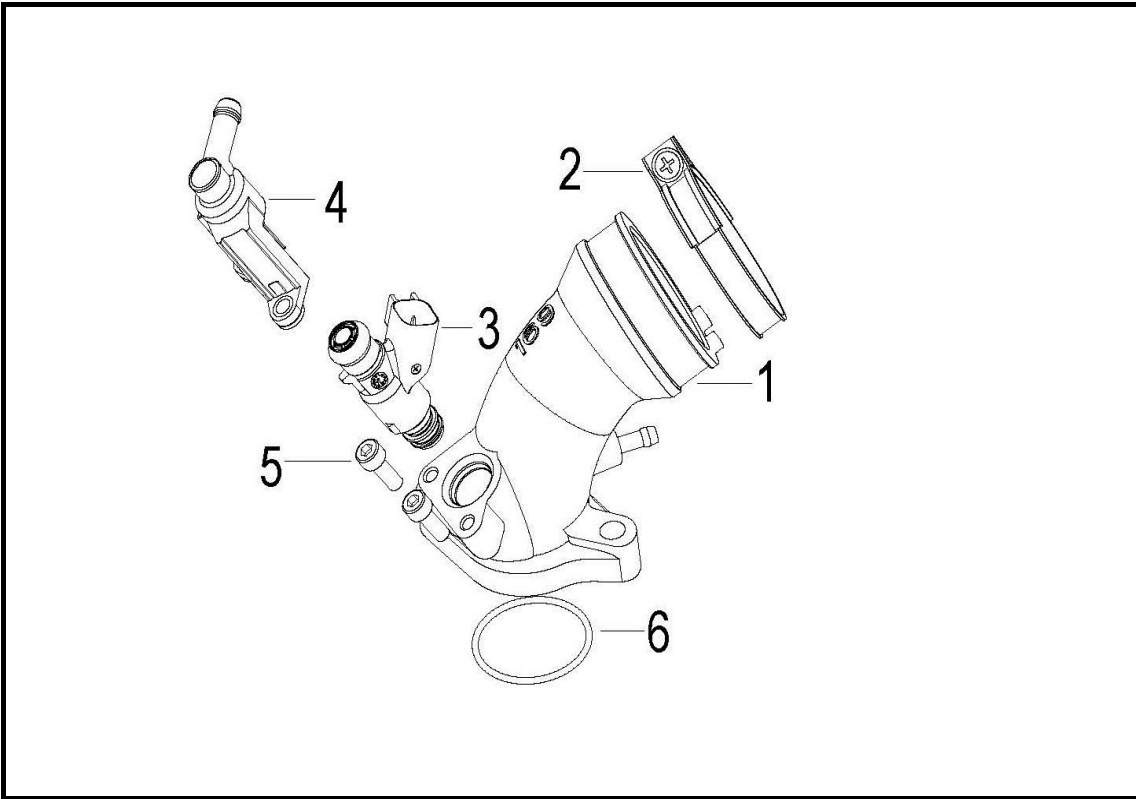
NO.	CODE	EN DESCRIPTION
1	299035110000	STATOR ASSEMBLY
2	299025110010	ROTOR ASSEMBLY

E15 机油泵分总成OIL PUMP ASSY



NO.	CODE	EN DESCRIPTION
1	B08030000601	RING6
2	280023180000	WASHER
3	269065050000	OIL PUMP GEAR
4	B090103022B0	PARALLEL PIN B3x22
5	B02160602524	OIL PUMP SCREW M6x25
6	269096160000	OIL PUMP
7	260033090000	OIL PUMP EXTERNAL ROTOR
8	260023090000	OIL PUMP ROTOR
9	269086160000	OIL PUMP SHAFT
10	B09012501220	PARALLEL PIN B2.5x12
11	269105050000	OIL PUMP COVER
12	260045050000	WASHER
13	B091403014B0	PARALLEL PIN B3x14
14	B02000300862	SCREW M3x8
15	269016160000	OIL PUMP ASSY

E16 电喷系统EFI SYSTEM



NO.	CODE	EN DESCRIPTION
1	119015110010	PIPE INTAKE
2	49016N070000	CLIP 50
3	289035110000	INJECTOR
4	280075110010	INJECTOR BLOCK COMPONENT
5	B02050501463	SCREW M5x14
6	110035050000	O-RING 35x2