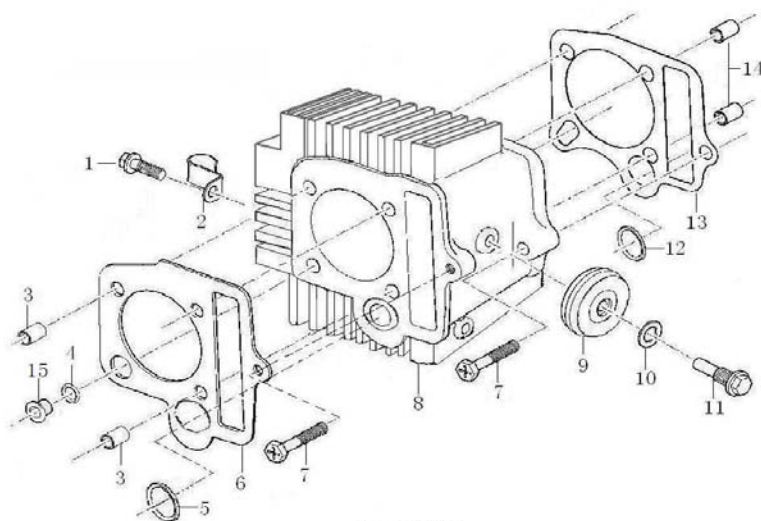


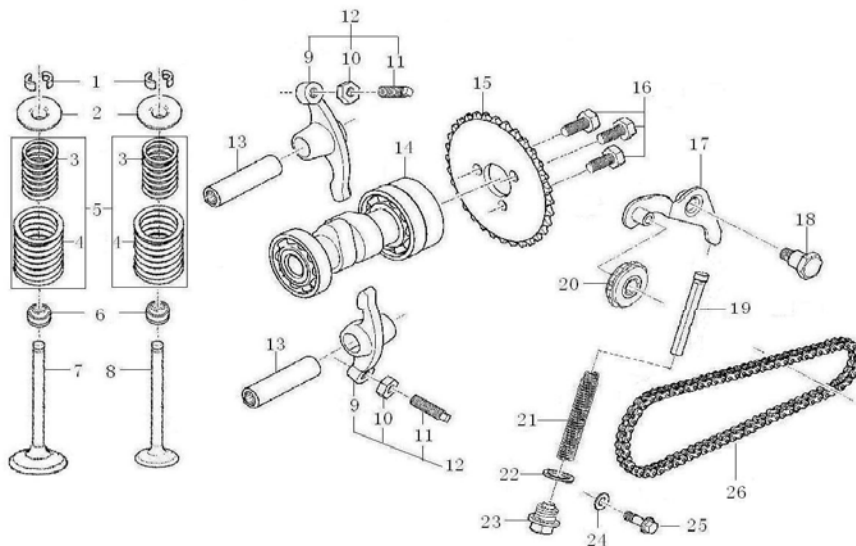
气缸头部件  
CYLINDER HEAD ASSY

E1 CYLINDER HEAD ASSY				
序号 N O.	编码 (PART CODE)	中文名称 (CHINESE DESCRIPTION)	英文名称 (ENGLISH DESCRIPTION)	数量 QTY
1	91192-D002-00000X	70缸头左右盖连接螺栓M6×110(兰白锌)	BOLT M6×110	1
2	B166740A06002070X	GB16674小盘螺栓M6×20(兰白锌)	BOLT M6×20	2
3	93301-70651012000	70铝垫圈6.5×1×12	WASHER 6.5×1×12	1
4	11228-IA24-00000W	S125脚气缸头右盖组合(抛丸钝化)	RIGHT COVER, CYLINDER HEAD	1
5	90203-IA24-0000	S125脚气缸头右盖密封垫	GASKET,R.CYLINDER HEAD COVER	1
6	91138-I015-00000X	GY6缸头排气口双头螺栓M6×32(兰白锌)	BOLT M6×32	2
7	81300-I006-0000	CB125脚火花塞部件	SPARK PLUG	1
8	1122B-IA24-02000W	S125脚-4#气缸头组合(定位销孔φ8 抛丸钝化)	CYLINDER HEAD ASSY	1
9	90101-20296000320	70气门盖O形圈29.6×3.2(氟硅胶)	O-RING 29.6×3.2	2
10	11230-D002-00000W	70气门室盖(抛丸钝化)	COVER, VALVE CHAMBER	2
11	11227-IA24-00000W	S125脚气缸头左盖(抛丸钝化)	LEFT COVER, CYLINDER HEAD	1
12	90202-IA24-0000	S125脚气缸头左盖密封垫	GASKET,L.CYLINDER HEAD COVER	1
13	90201-IA24-0000	S125脚气缸头上盖密封垫	GASKET, CYLINDER HEAD UPPER COVER	1
14	11226-IA24-00000W	S125脚气缸头上盖(抛丸钝化)	UPPER COVER, CYLINDER HEAD	1
15	93301-80732514000	C100缸头盖铜垫圈7.3×2.5×14	WASHER 7.3×2.5×14	1
16	93301-2073251400B	C100缸头盖铁垫圈7.3×2.5×14(白锌)	WASHER 7.3×2.5×14	3
17	91201-G013-00000X	L100缸头盖盖形螺母M7(兰白锌)	NUT M7	4
18	15810-I096-0000	C120进气管密封垫	GASKET,INLET PIPE	1
19	B057830006002570X	GB5783螺栓M6×25(兰白锌)	BOLT M6×25	4
20	15800-IA29-0048	S125D进气管组合(JQ-48)	INLET PIPE	1
21	90101-10290000240	C120化油器隔热垫O形圈29×2.4(丁腈胶)	O-RING 29×2.4	1
22	90214-I096-0000	C120化油器隔热垫	GASKET, CARBURETOR	1
23	17100-0000-0110	C120化油器(PZ20 手动)带燃油开关	CARBURETOR	1



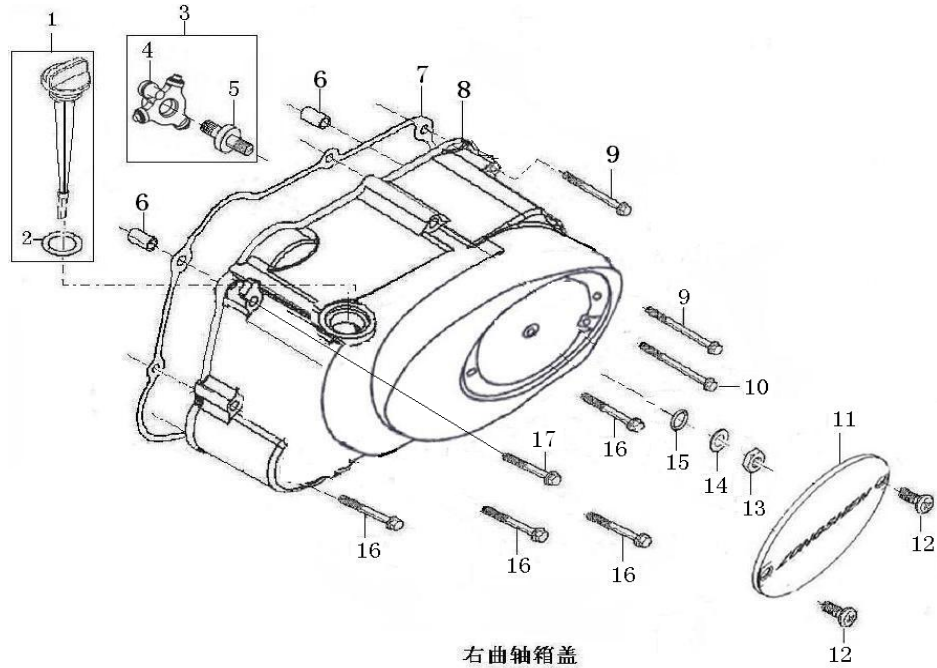
气缸体部件  
CYLINDER ASSEMBLY

E2 CYLINDER ASSEMBLY				
序号 No.	编码 (PART CODE)	中文名称 (CHINESE DESCRIPTION)	英文名称 (ENGLISH DESCRIPTION)	数量 QTY
1	B166740A06001670X	GB16674小盘螺栓M6×16(兰白锌)	BOLT M6×16	1
2	11003-D002-00000X	70高压线固定夹(兰白锌)	CLIP, HIGH VOLTAGE WIRE	1
3	91521-08001400070	C100定位销8×14×7	PIN 8×14×7	2
4	90102-D002-0001	70矩形密封圈φ8×10.8×1.5	RECTANGLE RING 8×10.8×1.5	1
5	90102-D002-0003	70矩形密封圈φ14×18.2×2.5	RECTANGLE RING 14×18.2×2.5	1
6	9022B-IA24-0200	S125脚-2#气缸头密封垫组合(定位销孔φ8.2)	GASKET ASSY.CYLINDER HEAD	1
7	91113-D002-00000X	70缸体箱体连接螺栓M6×23(兰白锌)	BOLT M6×23	2
8	1110B-IA24-02000Y	S125脚-2#气缸体部件(缸标124 定位销孔φ8 铸铁电泳黑)	CYLINDER BLOCK ASSEMBLY	1
9	1533A-HZ30-0000	C110链条导向轮组合(45)	GUIDE CHAIN ROLLER SET	1
10	93301-70801514000	70导向销轴铝垫圈8×1.5×14	WASHER 8.5×1.5×14	1
11	15302-D002-00000X	70导向滚轮销轴(兰白锌)	GUIDE CHAIN ROLLER PIN	1
12	90102-D002-0002	70矩形密封圈φ11.5×16×2.5	RECTANGLE RING 11.5×16×2.5	1
13	90205-IA24-0200	S125脚-2#气缸体密封垫(定位销孔φ8.2)	GASKET,CYLINDER BLOCK	1
14	91521-08001200070	C100缸体箱体连接定位销8×12×7	PIN 8×12×7	2
15	11235-D002-0000	70反浴衬套9.5	BUSH 9.5	1
16				



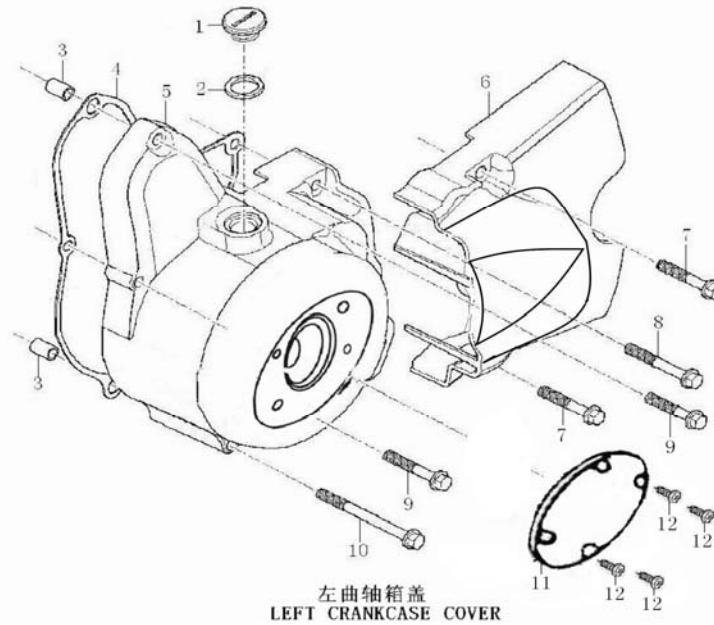
配气机构  
VALVE MECHANISM

E3 VALVE MECHANISM				
序号NO.	编码 (PART CODE)	中文名称 (CHINESE DESCRIPTION)	英文名称 (ENGLISH DESCRIPTION)	数量QTY
1	15707-D002-0000	70气门锁夹	VALVE LOCKER	4
2	15705-D002-0000	70气门弹簧座(上)	SPRING SEAT	2
3	15704-D002-0200	70-3#气门内弹簧	VALVE INNER SPRING	2
4	15703-D002-0000	70气门外弹簧	VALVE OUTER SPRING	2
5	15710-D002-0200	70-3#气门内外弹簧组合	INNER SPRING,ASSY	2
6	1572B-D002-0000	70挡油罩组合	SEAL, VALVE STEM	2
7	15701-I096-0000	C120进气门	INTAKE VALVE	1
8	15702-I096-0000	C120排气门	EXHAUST VALVE	1
9	15401-D002-0000	70气门摇臂	ROCKER ARM	2
10	15403-D002-0000	70气门间隙调节螺母	NUT, VALVE CLEARANCE	2
11	15404-D002-0000	70气门间隙调节螺钉	SCREW, VALVE CLEARANCE	2
12	1540A-D002-0000	70气门摇臂组合	ROCKER ARM ASSEMBLY, VALVE	2
13	15402-D002-0000	70气门摇臂轴	ROCKER SHAFT	2
14	15100-D002-0000	70凸轮轴部件(轴承16003、16002)	GAMP SHAFT COMP	1
15	15301-D002-0000	70正时从动链轮	TIMING DRIVEN SPROCKET	1
16	91191-D002-0000	70正时链轮螺栓M5×12	BOLT M5×12	3
17	1556B-D002-0000	70链条张紧臂组合	CHAIN ADJUSTING SET	1
18	15505-D002-0000	70链条张紧臂芯轴	AXLE, TENSIONER LEVER	1
19	1555B-D002-0000	70链条张紧杆组合	CHAIN TYHT SET	1
20	1554B-D002-0000	70链条张紧轮组合	PLUG OF TIGHTENER	1
21	15503-D002-0000	70链条张紧杆弹簧	SPRING	1
22	93301-71401520000	70密封螺塞铝垫圈14×1.5×20	WASHER 14.5×1.5×20	1
23	91105-D002-00000X	70密封螺塞M14×1.5(兰白锌)	SEALING PLUG M14×1.5	1
24	93301-70621513000	70张紧杆注油铝垫圈6.2×1.5×13	WASHER 6.2×1.5×13	1
25	B166740006001870X	GB16674大盒螺栓M6×18(兰白锌)	BOLT M6×18	1
26	1532B-G011-0000	C100正时链条组合(84)	SPROKET CHAIN	1
27				

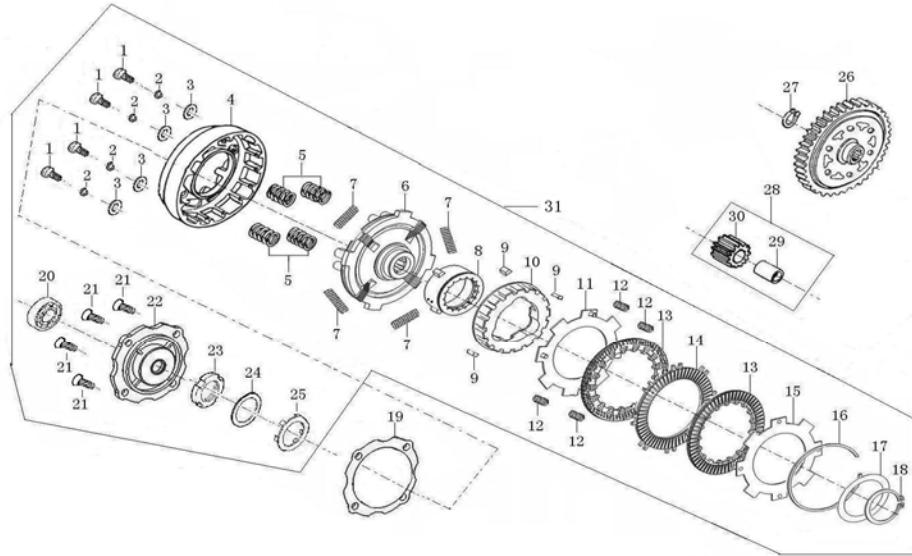


右曲轴箱盖  
RIGHT CRANKCASE COVER

E4 RIGHT CRANKCASE COVER				
序号 N O.	编码 (PART CODE)	中文名称 (CHINESE DESCRIPTION)	英文名称 (ENGLISH DESCRIPTION)	数量 QTY
1	14301-H032-0000	S110机油尺组合(白板 本色)整体式	OIL RULER ASSY	1
2	90101-10180000300	CG125机油尺O形圈18×3(丁腈胶)	O-RING 18×3	1
3	2244A-G031-00000X	Z100离合器挺杆体组件(滚柱式 带调节螺栓 兰白锌)	CLUTCH TAPPET	1
4	22440-G011-0000	C100离合器挺杆体组件(滚柱式)	CLUTCH TAPPET	1
5	91112-G031-00000X	Z100离合器调节螺栓M8(兰白锌)	BOLT M8	1
6	91521-08001200063	70定位销8×12×6.3	PIN 8×12×6.3	2
7	90206-IA24-0000	S125脚右曲轴箱盖密封垫	GASKET, R.CRANKCASE COVER	1
8	12421-G031-170189	Z100右曲轴箱盖(白板 鲸鱼款 不带油面圆孔 只带电启动 8801)	COVER COMP. RIGHT CRANKCASE	1
9	B166740A06008070X	GB16674小盘螺栓M6×80(兰白锌)	BOLT M6×80	2
10	B166740A06006570X	GB16674小盘螺栓M6×65(兰白锌)	BOLT M6×65	1
11	12425-G001-10010G	100右盖装饰盖(ZONGSHEN 鲸鱼款 白铬)	DECORATE COVER,R.CRANKCASE COVER	1
12	B008180006001220X	GB818螺钉M6×12(兰白锌)	SCREW M6×12	2
13	B061700008000090B	GB6170螺母M8(白锌)	NUT M8	1
14	B000970108000000B	GB97.1垫圈8(白锌)	WASHER φ8	1
15	90101-10080000180	C100离合器调节螺栓O形圈8×1.8(丁腈胶)	O-RING 8×1.8	1
16	B166740A06004070X	GB16674小盘螺栓M6×40(兰白锌)	BOLT M6×40	4
17	B166740A06004270X	GB16674小盘螺栓M6×42(兰白锌)	BOLT M6×42	1
18				

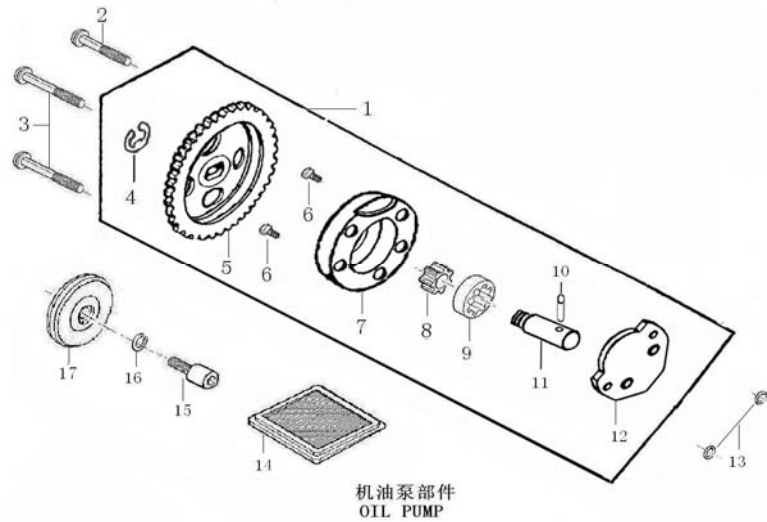


<b>E5 LEFT CRANKCASE COVER</b>				
序号 NO.	编码 (PART CODE)	中文名称 (CHINESE DESCRIPTION)	英文名称 (ENGLISH DESCRIPTION)	数量 QTY
1	12303-G011-000089	C100小视孔盖(8801)	CAP, SMALL VIEW HOLE	1
2	90101-10132000265	C100小视孔盖O形圈13.2×2.65(丁腈胶)	O-RING 13.2×2.65	1
3	91521-08001200063	70定位销8×12×6.3	PIN 8×12×6.3	2
4	90204-G011-0000	C100左曲轴箱前盖密封垫	GASKET, L.CRANKCASE COVER	1
5	12301-G011-J00089	C100左曲轴箱前盖(6极 白板 鲸鱼款 8801)	FRONT PART, L.CRANKCASE COVER	1
6	12302-G011-790089	C100左曲轴箱后盖(90D-JY-倒档3# 8801)	BACK PART, L.CRANKCASE COVER	1
7	B166740A06002870X	GB16674小盘螺栓M6×28(兰白锌)	BOLT M6×28	2
8	B166740A06005070X	GB16674小盘螺栓M6×50(兰白锌)	BOLT M6×50	1
9	B166740A06003270X	GB16674小盘螺栓M6×32(兰白锌)	BOLT M6×32	2
10	B166740A06007070X	GB16674小盘螺栓M6×70(兰白锌)	BOLT M6×70	1
11	12307-F004-10010G	90左前盖装饰盖(ZONGSHEN 鲸鱼款 白铬)	DECORATE COVER ,L.CRANKCASE COVER	1
12	B008180006001020X	GB818螺钉M6×10(兰白锌)	SCREW M6×10	4
13				

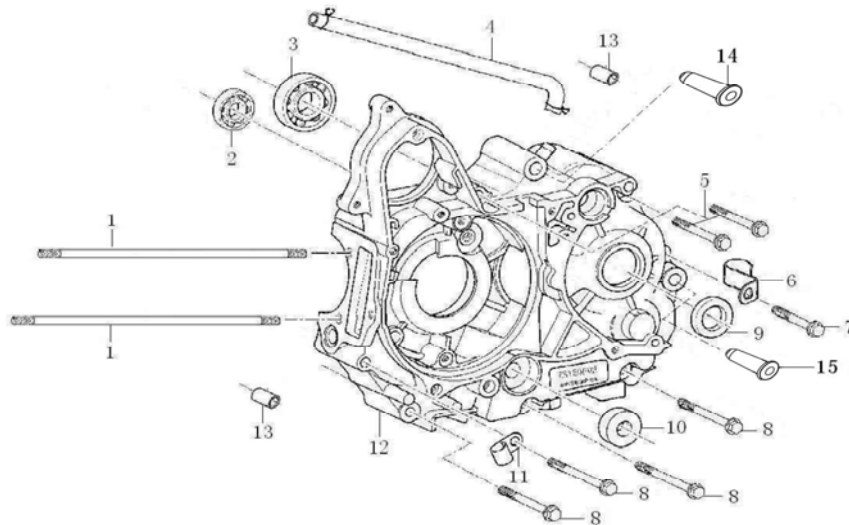


离合器总成  
CLUTCH ASSY

E6 CLUTCH ASSY				
序号 N O.	编码 (PART CODE)	中文名称 (CHINESE DESCRIPTION)	英文名称 (ENGLISH DESCRIPTION)	数量 QTY
1	B008180005001220B	GB818螺钉M5×12(白锌)	SCREW M5×12	4
2	B0009300050000000	GB93弹垫5	WASHER φ5	4
3	B0009600050000K00	GB96垫圈 5-140HV	WASHER φ5-140HV	4
4	Z2151-IA30-0000	Z125-3#离合器外罩	OUTER CASE,CLUTCH	1
5	Z2142-IA30-0100	Z125-3#离合器弹簧	SPRING, CLUTCH	4
6	Z2110-IA30-0000	Z125-2#离合器主动盘组件	DRIVE PLATE COMP	1
7	Z2144-D002-0000	70离合器减震弹簧	ABSORBING SPRING	4
8	Z2109-G031-0000	Z100离合器定心滑套	ALIGNING SLIDING BUSH	1
9	Z2106-IA30-0000	Z125-2#离合器缓冲套	CLUTCH DASH POT SLIPCOVER	3
10	Z2102-IA30-0000	Z125-2#离合器定心套	HUB,CLUTCH SLEEVE	1
11	Z213B-IA30-0000	Z125-2#离合器上板组合	CLUTCH TOP PLATE	1
12	Z2143-IA30-0100	Z125-3#离合器分离弹簧	CLUTCH CUT SPRING	4
13	Z2215-G031-0000	Z100离合器从动摩擦片	OUTER FRICTION DISK A	2
14	Z2214-G031-0000	Z100离合器主动摩擦片	DRIVE FRICTION DISK	1
15	Z212B-G031-0000	Z100离合器下板组合	CLUTCH BELOW PLATE	1
16	91403-D002-0000	70离合器挡圈	ELASTIC CHECK RING	1
17	Z2129-G031-0000	Z100离合器缓冲弹簧片	SHOCK ABSORBER PLATE	1
18	B0089401450000000	GB894.1挡圈45	CIRCLIP 45	1
19	90218-G031-0000	Z100离合器端盖密封垫	GASKET,END COVER	1
20	92102-00000006000	轴承(6000)	BEARING (6000)	1
21	B008190205001270B	GB819.2螺钉M5×12(白锌)	SCREW M5×12	4
22	Z2121-G031-0000	Z100离合器端盖	END COVER,CLUTCH	1
23	91202-D002-0000	70离合器锁紧螺母	LOCK NUT, CLUTCH	1
24	Z2004-D002-0000	70离合器碟形垫圈	DISH WASHER, CLUTCH	1
25	Z2001-D002-0000	70离合器止退垫圈	STOP WASHER,CLUTCH	1
26	Z312B-G031-0000	Z100从动齿组合	DRIVEN GEAR COMP	1
27	Z3226-D002-0000	70主动轴齿轮卡圈	CIRCLIP	1
28	Z3110-G031-0000	Z100主动齿组合	DRIVEN GEAR	1
29	Z3102-D002-0000	70主动轴齿轮轴套	AXLE SLEEVE	1
30	Z3101-G031-0000	Z100主动齿	PRIMARY DRIVE GEAR	1
31	Z2000-IA30-2100	Z125-3#离合器总成(不含离合器套圈)	CLUTCH ASSY	1
32				



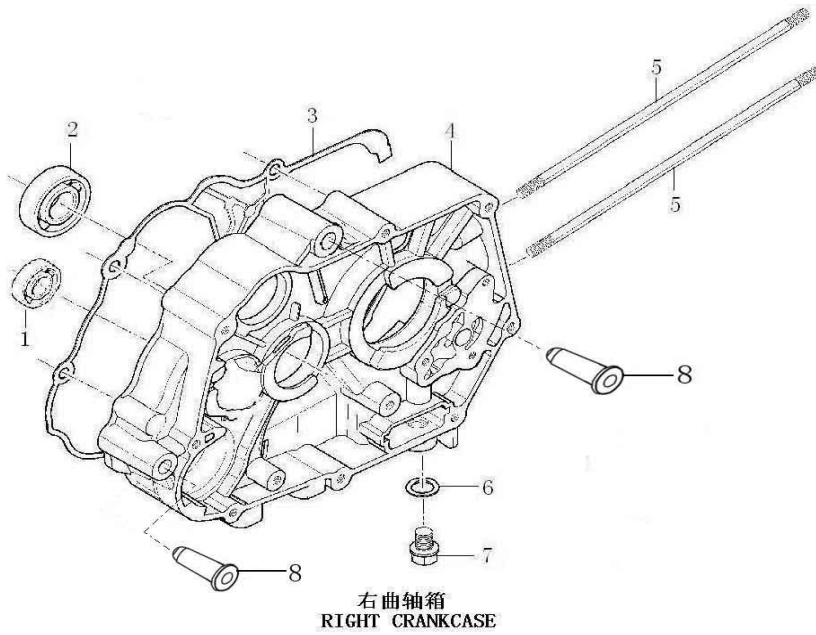
<b>E7 OIL PUMP</b>				
序号 No.	编码 (PART CODE)	中文名称 (CHINESE DESCRIPTION)	英文名称 (ENGLISH DESCRIPTION)	数量 QTY
1	14100-IA24-0000	S125脚机油泵部件	OIL PUMP ASSY	1
2	B008190105003020B	GB819.1螺钉M5×30(白锌)	SCREW M5×30	1
3	B008190105002520B	GB819.1螺钉M5×25(白锌)	SCREW M5×25	2
4	B0089600060000000	GB896挡圈6	CIRCLIP 6	1
5	1410B-IA24-0000	S125脚机油泵齿轮组合	OIL PUMP GEAR ASS.	1
6	B008180004001420C	GB818螺钉M4×14(彩锌)	SCREW M4×14	2
7	14110-IA24-0000	S125脚机油泵体	OIL PUMP BODY	1
8	14111-IA24-0000	S125脚机油泵内转子	INNER ROTOR, OIL PUMP	1
9	14112-IA24-0000	S125脚机油泵外转子	OUTER ROTOR, OIL PUMP	1
10	B0011902025100000	GB119.2销2.5×10	PIN 2.5×10	1
11	14107-IA24-0000	S125脚机油泵油泵轴	SHAFT, OIL PUMP	1
12	14108-IA24-0000	S125脚机油泵盖板	OIL PUMP COVER	1
13	90101-10094000240	CG125机油泵O形圈9.4×2.4(丁腈胶)	O-RING 9.4×2.4	2
14	1431B-D002-0000	70机油过滤网组合	STRAINER, OIL FILTER	1
15	91188-HZ31-0000	C110-A油泵链轮专用螺钉	SCREW	1
16	B0009300060000000	GB93弹垫6	WASHER φ6	1
17	1432B-HZ31-0000	C110-A机油泵传动链轮组合	HUB DUMP CHAIN SPROCKET, OIL PUMP	1
18				
19				



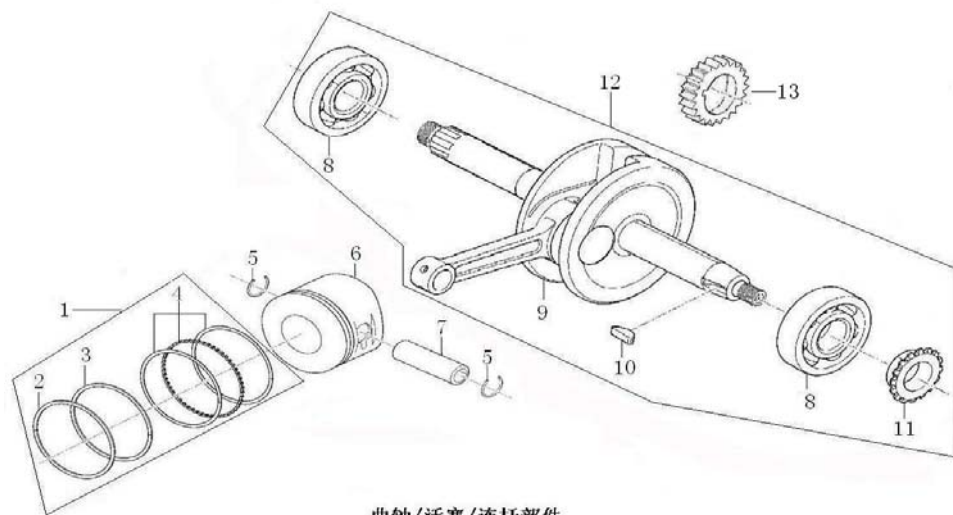
左曲轴箱  
LEFT CRANKCASE

E8 LEFT CRANKCASE				
序号 N.O.	编码 (PART CODE)	中文名称 (CHINESE DESCRIPTION)	英文名称 (ENGLISH DESCRIPTION)	数量 QTY
1	91101-IA24-0000	S125脚气缸双头螺栓A(203mm)	CYLINDER STUD BOLT A	2
2	92102-00000006001	轴承(6001)	BEARING (6001)	1
3	92102-00000006203	轴承(6203)	BEARING (6203)	1
4	12130-G011-0102	C100-2#通气管组件(带2个φ10.5卡簧 复合层材料)	PIPE ASSY	1
5	B166740A06006070X	GB16674小盘螺栓M6×60(兰白锌)	BOLT M6×60	2
6	11003-D002-00000X	70高压线固定夹(兰白锌)	CLIP, HIGH VOLTAGE WIRE	1
7	B166740A06004570X	GB16674小盘螺栓M6×45(兰白锌)	BOLT M6×45	1
8	B166740A06006570X	GB16674小盘螺栓M6×65(兰白锌)	BOLT M6×65	4
9	90303-D002-0000	70副轴油封17×29×5(丁腈胶)	OIL SEAL 17×29×5	1
10	90301-D002-0000	70换挡臂油封11.6×24×10(丁腈胶)	OIL-SEAL 11.6×24×10	1
11	12108-D002-00000X	70溢流管夹(兰白锌)	CLIP, OVERFLOW PIPE	1
12	1212B-IZ26-020089	ZD125D-2#左曲轴箱组合(大挂 无缺 定位销孔φ8 8801)	LEFT CRANKCASE BLOCK	1
13	91521-10001400000	CG125脚定位销10×14	PIN 10×14	2
14	10009-G001-0001	100左体前挂机减震套 I (长)	ABSORBER SLEEVE	1
15	10009-G001-0002	100右体前挂机减震套 II (短)	ABSORBER SLEEVE	1
16				



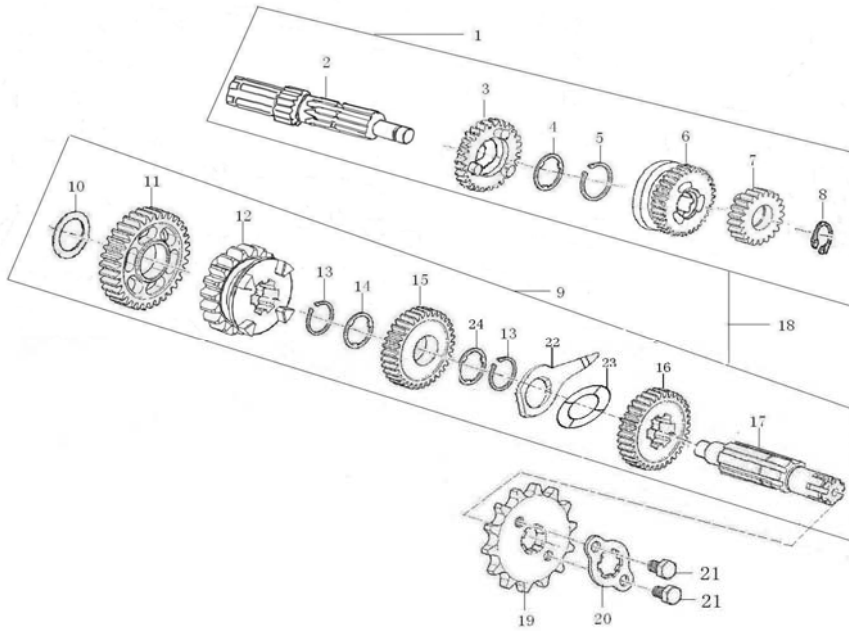


<b>E9 RIGHT CRANKCASE</b>				
序号 N O.	编码 (PART CODE)	中文名称 (CHINESE DESCRIPTION)	英文名称 (ENGLISH DESCRIPTION)	数量 QTY
1	92102-00000006201	轴承(6201)	BEARING (6201)	1
2	92102-00000006203	轴承(6203)	BEARING (6203)	1
3	90208-IA24-0000	S125脚曲轴箱密封垫	GASKET_CRANKCASE	1
4	1222B-IZ26-000089	ZD125D右曲轴箱组合(大挂 8801)	RIGHT CRANKCASE BLOCK	1
5	91102-IA24-0000	S125脚气缸双头螺栓B(194.5mm)	CYLINDER STUD BOLT B	2
6	93301-71242020000	CG125D放油螺塞铝垫圈12.4×2×20	WASHER 12.4×2×20	1
7	91103-I008-00000X	CG125D放油螺塞(兰白锌)	OIL DRAIN PLUG	1
8	10009-G001-0002	100右体前挂机减震套II(短)	ABSORBER SLEEVE	2
9				



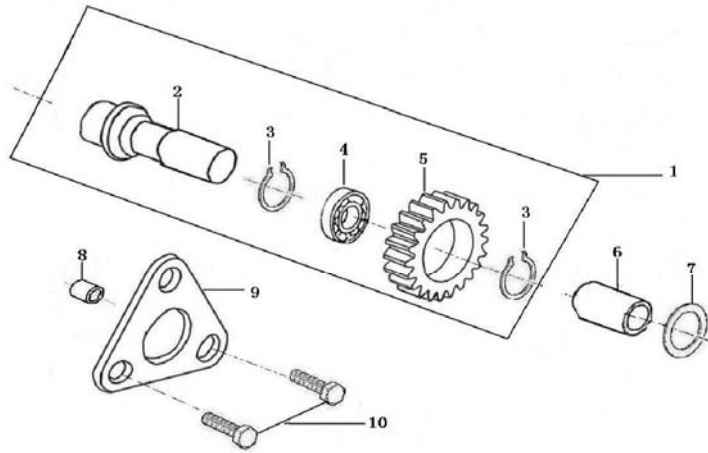
曲轴/活塞/连杆部件  
CRANKSHAFT/PISTON/CONNECTING ROD COMP

E10 CRANKSHAFT CONNECTING-ROD ASSY/PISTON				
序号 N O.	编码 (PART CODE)	中文名称 (CHINESE DESCRIPTION)	英文名称 (ENGLISH DESCRIPTION)	数量 QTY
1	1310A-IA24-0200	S125脚活塞环总成(一环镀铬)	PISTON RING COMP	1
2	13103-IA24-0100	S125脚活塞环一(镀铬)	PISTON RING 1	1
3	13104-IA24-0000	S125脚活塞环二	PISTON RING 2	1
4	13120-IA24-0000	S125脚油环组合	OIL RING ASSY	1
5	91401-G012-0000	AX100活塞销挡圈13.5	CHECK RING, PISTON PIN	2
6	13101-IA24-0000	S125脚活塞	PISTON	1
7	13102-IA24-0000	S125脚活塞销	PIN PISTON	1
8	92102-00000006205	轴承(6205)	BEARING (6205)	2
9	13220-IA24-0001	S125脚曲轴连杆组合(无轴承、半圆键、主动齿)立多禄	CONNECTING ROD COMP 3	1
10	91601-D002-0000	70半圆键4×12.5	SEMICIRCULAR KEY	1
11	13222-IA24-0000	S125脚正时主动链轮	HUB DUMP CHAIN SPROCKET	1
12	1320B-IA24-0701	S125脚曲轴连杆部件(立多禄)	CRANKSHAFT CONNECTING-ROD ASSY	1
13	14101-IA24-0000	S125脚机油泵驱动齿轮	DRIVE GEAR,OIL PUMP	1
14				



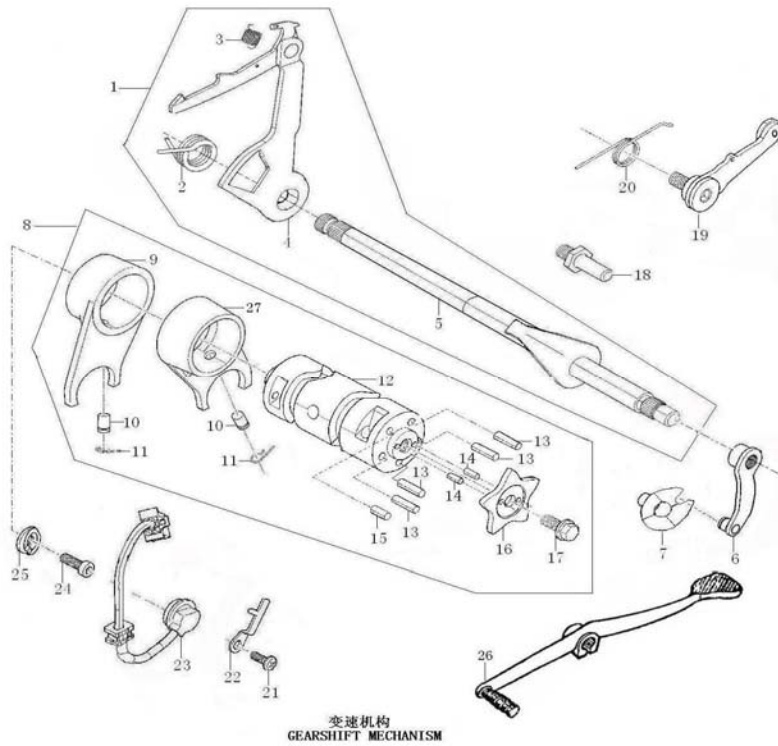
主副轴组合  
TRANSMISSION MAIN,COUNTER SHAFT

E11 TRANSMISSION MAIN,COUNTER SHAFT				
序号NO.	编码 (PART CODE)	中文名称 (CHINESE DESCRIPTION)	英文名称 (ENGLISH DESCRIPTION)	数量QTY
1	23220-H064-0000	SD110-1#主轴组合	MAIN SHAFT, TRANSMISSION	1
2	23221-H064-0000	SD110主轴芯轴	TRANSMISSION MAIN SHAFT	1
3	23222-H064-0003	SD110主轴3档齿轮	GEAR M-3	1
4	23223-D002-0000	70主副轴齿轮隔圈15.5(17.2)×1.2×21	WASHER	1
5	23226-D002-0000	70主轴齿轮卡圈	CIRCLIP	1
6	23222-H064-0002	SD110主轴2档齿轮	GEAR M-2	1
7	23224-H064-0000	SD110倒档主动齿轮	REVERSE GEAR ASS.	1
8	B0089401120000000	GB894.1挡圈12	CIRCLIP 12	1
9	23240-H064-0800	SD110-8#副轴组合(副轴119mm 摩擦倒档 外花键加长)	COUNTERSHAFT TRANSMISSION	1
10	93301-61211023000	W120副轴垫圈12.1×1×23	WASHER 12.1×1×23	1
11	23242-H064-0001	SD110副轴1档齿轮	GEAR C-1	1
12	23242-H064-0003	SD110副轴3档齿轮	GEAR C-3	1
13	91402-D002-0100	70启动轴挡圈φ18.5×1.2×φ22.1	CIRCLI φ18.5×1.2×φ22.1	2
14	23223-I006-0000	CB125脚齿轮隔圈17.3(20)×1.6×26	WASHER	1
15	23242-H064-0002	SD110副轴2档齿轮	GEAR C-2	1
16	23243-H064-0000	SD110副轴倒档齿轮	REVERSE GEAR	1
17	23241-H064-0800	SD110-8#副轴芯轴(副轴119mm 摩擦倒档 外花键加长)	TRANSMISSION COUNTER SHAFT	1
18	23200-H064-0800	SD110-8#主副轴组合(副轴组合摩擦倒档专用119mm 普	TRANSMISSION MAIN,COUNTER SHAFT	1
19	23401-G011-0000	C100主动链轮(428.14)	DRIVE SPROCKET	1
20	23402-D002-0000	70主动链轮固定板	FIXING PLATE,DRIVE SPROCKET	1
21	B057830006001070B	GB5783螺栓M6×10(白锌)	BOLT M6×10	2
22	23246-H064-0100	SD110-2#变档保护限位板(摩擦保护专用)	LIMIT PLATE, GEARSHIFT	1
23	93303-52100429000	SD110D倒档波形垫圈21×0.4×29	WASHER 21×0.4×29	1
24	23223-G011-0001	C100齿轮隔圈20(3、4档)	WASHER	1
25				



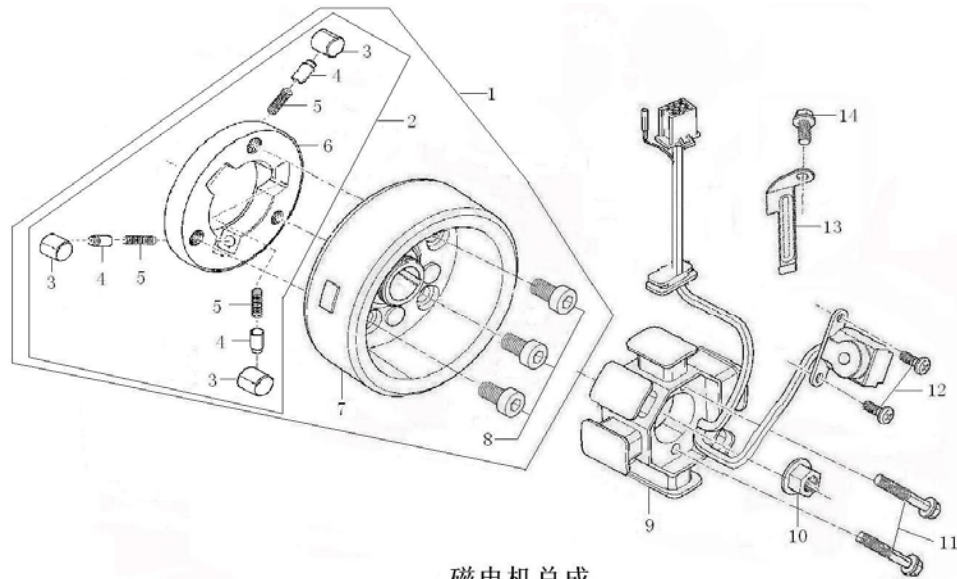
倒档惰轮机构  
IDLER SETUP

E12 IDLER SETUP				
序号 N.O.	编码 (PART CODE)	中文名称 (CHINESE DESCRIPTION)	英文名称 (ENGLISH DESCRIPTION)	数量 QTY
1	23601-IZ26-0000	ZD125D惰轮机构组件	IDLER SETUP	1
2	23602-IZ26-0000	ZD125D倒档惰轮芯轴	PIVOT, REVERSE GEAR IDLER WHEEL	1
3	B0089301260000000	GB893.1内挡圈26	CIRCLIP 26	2
4	92102-00000006000	轴承(6000)	BEARING (6000)	1
5	23604-H064-0000	SD110倒档惰轮	REVERS IDLER	1
6	91521-13001320000	ZD125D惰轮机构定位销13×13.2	PIN 13×13.2	1
7	93301-D1001016000	SD110D倒档惰轮芯轴垫圈10×1×16	WASHER 10×1×16	1
8	91521-08000800000	70倒档定位销8×8	PIN 8×8	1
9	23603-H064-0000	SD110芯轴支撑板	FIXING PLATE	1
10	B057830006002070B	GB5783螺栓M6×20(白锌)	BOLT M6×20	2
11				



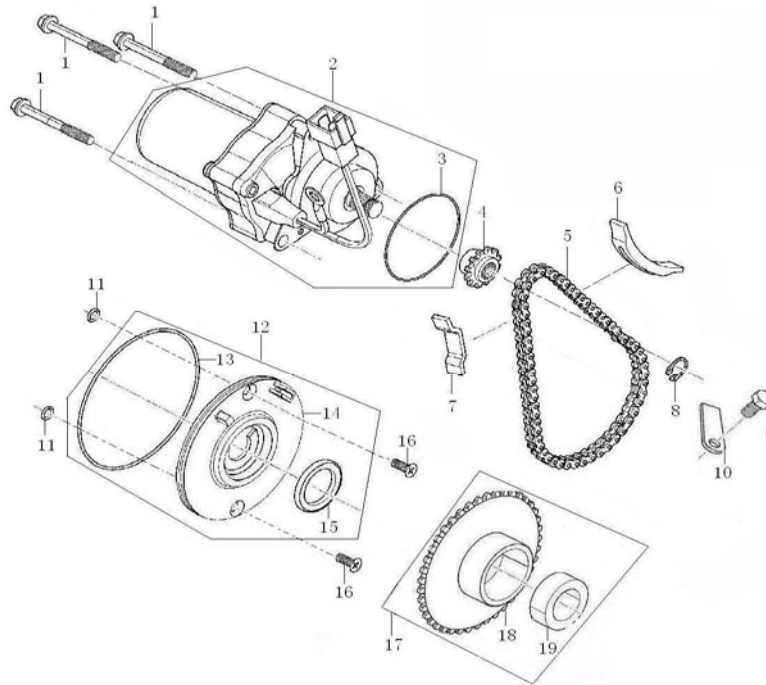
### E13 GEARSHIFT MECHANISM

序号 N O.	编码 (PART CODE)	中文名称 (CHINESE DESCRIPTION)	英文名称 (ENGLISH DESCRIPTION)	数量 QTY
1	24300-G031-00000C	Z100换挡臂部件(260mm 四档循环档 彩锌)	GEARSHIFT LEVER COMP	1
2	24302-G031-0000	Z100换挡回位弹簧	RETURN SPRING	1
3	24318-D002-0000	70换挡臂拉簧	GEARSHIFT LEVER TENSION SPRING	1
4	2432A-G031-0000	Z100换挡臂臂体组合(四档循环)	LIMIT SCREW	1
5	24301-G031-0000	Z100换挡轴组合(四档循环档 260)	GEARSHIFT SHAFT COMP	1
6	2242A-G031-0000	Z100离合器操纵纵臂组合	CONTROLLING ARM ASSEMBLY, CLUTCH	1
7	2245A-G031-0000	Z100离合器凸轮板组合	CAM PLATE ASSEMBLY, CLUTCH	1
8	24200-H064-0300	SD110变速鼓部件(摩擦倒档)	GEARSHIFT DRUM COMP	1
9	24104-H064-0100	SD110副轴拨叉(摩擦倒档)	RIGHT FORK, COUNTERSHAFT	2
10	24102-D002-0000	70导向销	GUIDE PIN	2
11	24103-D002-0000	70弹簧夹	CLIP, SPRING	2
12	24213-H064-0300	SD110变速鼓(摩擦倒档)	GEARSHIFT DRUM	1
13	91522-04001300000	70变速鼓圆柱销4×13	PIN 4×13	4
14	91522-03000900000	C100变速鼓滚针3×9	PIN 3×9	2
15	91522-04000900000	70变速鼓短拔销4×9	PIN 4×9	1
16	24202-G011-0000	C100五星板	STOPPING PLATE	1
17	91126-G031-0000	Z100五星板紧固螺栓M6×16(三档非循环)	BOLT M6×16	1
18	91117-D002-0000	70换挡臂定位螺栓8×11	BOLT, RETURN SPRING FIXING 8×11	1
19	2434A-G011-0100	C100-2#定位板组合	LOCATING PLATE ASSY	1
20	24304-G011-0000	C100定位板弹簧	SPRING, LOCATING PLATE	1
21	B008230006001220B	GB823螺钉M6×12(白锌)	SCREW M6×12	1
22	88002-G011-0001	C100档位开关固定板(长压板)	GEARSHIFT SWITCH PRESSING PLATE	1
23	8803B-HZ19-080245	SD110档显线束组合(摩擦倒档-2档(五耳) 3个前进档加1个倒档 L450)接口D56	GEARSHIFT SWITCH LAMP	1
24	91149-G011-00000C	C100档显螺钉(彩锌)	SCREW	1
25	88004-G011-0000	C100档显触点	CONTACT, GEAR INDICATION	1
26	24400-G007-0002	W100变速踏板部件(BT-2 白铬)	GEARSHIFT SHAFT	1
27	24106-H064-0100	SD110主轴拨叉(摩擦倒档)	CENTER FORK, MAINSHAFT	1
28				



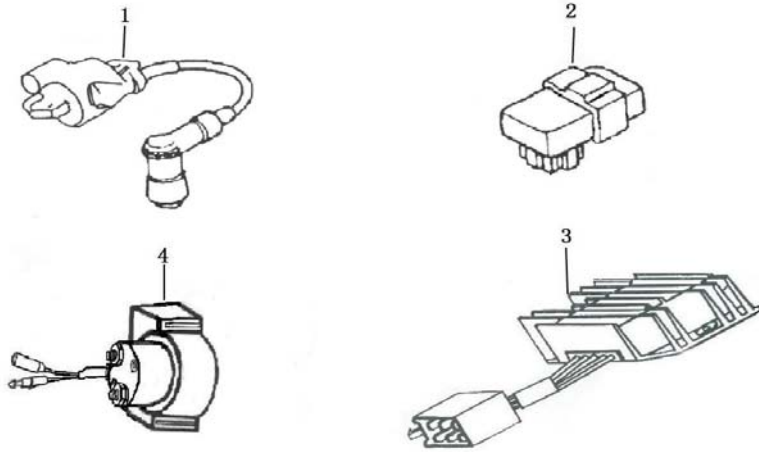
磁电机总成  
MAGNETO COMP

E14 MAGNETO COMP				
序号 NO.	编码 (PART CODE)	中文名称 (CHINESE DESCRIPTION)	英文名称 (ENGLISH DESCRIPTION)	数量 QTY
1	82130-G011-0009	C100磁电机转子组合(12V6极高磁钢)	ROTOR ASSY,MAGNETO	1
2	21300-G011-0002	C100-3#超越离合器部件(M8螺纹)	ASSEMBLY, OVERRUNNING CLUTCH	1
3	21304-G011-0000	C100启动离合器滚柱	CLUTCH ROLLER	3
4	21305-G011-0000	C100启动离合器弹簧套/顶销	CONE BILOCKAGE	3
5	21303-G011-0000	C100启动离合器滚柱弹簧	SPRING	3
6	21301-G011-0100	C100-3#超越离合器本体组合(M8螺纹)	STARTING CLUTCH BODY	1
7	82130-G011-0011	C100磁电机转子组合(12V6极高磁钢 不带超越离合器)	ROTOR ASSY,MAGNETO	1
8	B000700108001570C	GB70.1螺钉M8×15(彩锌)	SCREW M8×15	3
9	82120-G011-030534	C100磁电机定子组合(12V6极半波交流小盒 L:340)接口11	STATOR ASSY,MAGNETO	1
10	91213-D002-00000X	70磁电机螺母(兰白锌)	NUT	1
11	B166740A06001870B	GB16674小盘螺栓M6×18(白锌)	BOLT M6×18	2
12	B057830005001270B	GB5783螺栓M5×12(白锌)	BOLT M5×12	2
13	12305-G011-0000	C100磁电机线夹	FIXING PLATE, MAGNETO CABLE	1
14	B166740A06001670B	GB16674小盘螺栓M6×16(白锌)	BOLT M6×16	1
15				



电启动机构  
ELECTRIC STARTING MECHANISM

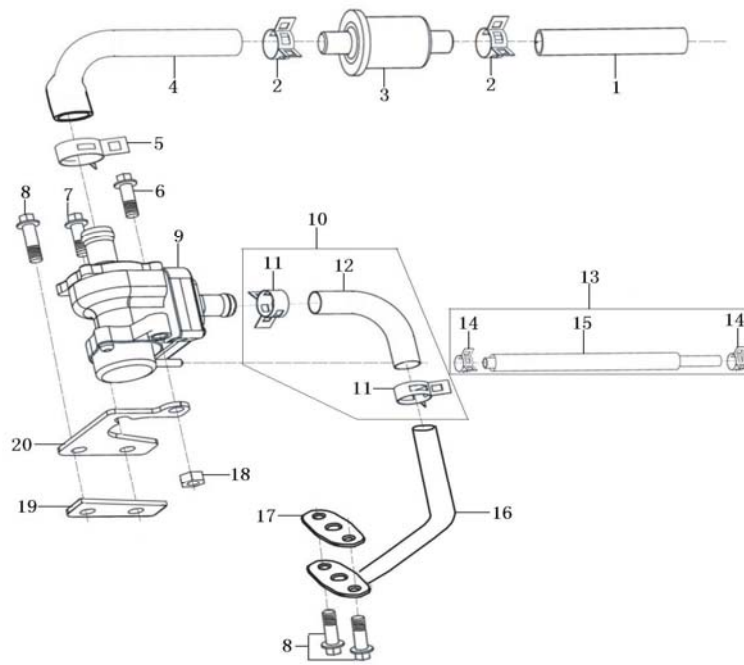
E15 ELECTRIC STARTING MECHANISM				
序号 N O.	编码 (PART CODE)	中文名称 (CHINESE DESCRIPTION)	英文名称 (ENGLISH DESCRIPTION)	数量 QTY
1	B166740A06005070X	GB16674小盘螺栓M6×50(兰白锌)	BOLT M6×50	3
2	82200-IA29-001122	S125D启动电机部件(机匣壳体 机壳兰白锌 DJ7022A-7.8-11 双核L220)	STARTING MOTOR ASSY	1
3	90101-10525000200	S125D启动电机O形密封圈52.5×2(丁腈胶)	O-RING 52.5×2	1
4	82201-G011-0000	C100启动电机小链轮	SPROCKET	1
5	2141B-IA29-0000	S125D启动链条组合(62节加厚)	STARTING MOTOR DRIVE CHAIN	1
6	2144B-G011-0000	C100链条导板组合	ASSEMBLY, GUIDE PLATE	1
7	2143B-G011-0000	C100链条护板组合	ASSEMBLY, CHAIN PROTECT PLATE	1
8	B0089401110000000	GB894.1挡圈11	CIRCLIP 11	1
9	B057830006001270B	GB5783螺栓M6×12(白锌)	BOLT M6×12	1
10	21407-G011-0000	C100启动链轮定位板	PLATE, START CLUTCH	1
11	90101-50065000180	70定子盘O形圈6.5×1.8(丙烯酸酯)	O-RING 6.5×1.8	2
12	2140B-G011-0000	C100隔油盘组件	DISK INSULATOR	1
13	90101-51068000200	C100隔油盘O形圈106.8×2(丙烯酸酯)	O-RING 106.8×2	1
14	21406-G011-0000	C100隔油盘	DISK INSULATOR	1
15	90308-G011-0000	C100定子盘油封30×42×4.5(丁腈胶)	OIL SEAL 30×42×4.5	1
16	B008190106001620B	GB819.1螺钉M6×16(白锌)	SCREW M6×16	2
17	21420-G011-0700	C100-7#启动大链轮组件	PLATE GEAR ASSY	1
18	2142A-G011-0700	C100-7#启动大链轮组合(隔油盘端外径30.3mm)	PLATE GEAR ASSY	1
19	90309-G011-0001	C100链轮油封19×30×5(氯化丁腈)	OIL SEAL 19×30×5	1
20				



电 器 件  
ELECTRIC

E16 ELECTRIC				
序号 N O.	编 码 ( PART CODE)	中 文 名 称 ( CHINESE DESCRIPTION)	英 文 名 称 ( ENGLISH DESCRIPTION)	数 量 QTY
1	81100-D002-000050	高压包MG01A L:500	IGNITION COIL	1
2	81200-G011-0000	点火器MD100	C.D.I	1
3	83100-G011-0000	整流调压器MT12V6-ZS02	RECTIFIER	1
4	82290-I049-000016	继电器MQJ10-ZS01A	RELAY	1
5				





废气再循环系统  
EXHAUST GAS RECIRCULATION SYSTEM

E17 EXHAUST GAS RECIRCULATION SYSTEM				
序号 N O.	编码 (PART CODE)	中文名称 (CHINESE DESCRIPTION)	英文名称 (ENGLISH DESCRIPTION)	数量 QTY
1	16156-G011-0000	C100二次空滤器连接胶管I	CONNECTING PIPE	1
2	16157-I008-0000	CG125D二次空滤器连接胶管卡圈14	HOOP	2
3	16160-I008-0000	CG125D二次空滤器部件	SEC.AIR BOX VALVE	1
4	16156-I008-0000	CG125D二次空滤器连接胶管I(14×9×230(35))	CONNECTING PIPE	1
5	16157-I008-0100	CG125D二次空滤器连接胶管卡圈15.3	HOOP	1
6	B166740A06001870X	GB16674小盘螺栓M6×18(兰白锌)	BOLT M6×18	1
7	B166740A06002570X	GB16674小盘螺栓M6×25(兰白锌)	BOLT M6×25	1
8	B166740A06001670X	GB16674小盘螺栓M6×16(兰白锌)	BOLT M6×16	3
9	18090-G011-0001	C100空气泵(带防尘胶套)	GAS PUMP	1
10	18110-G011-0000	C100废气循环橡胶管组件I(58×58)	RUBBER PIPE	1
11	18097-I008-0000	CG125D废气循环管I卡箍	CLAMP	2
12	18092-G011-0000	C100废气循环橡胶管I(58×58)	RUBBER PIPE	1
13	18110-I008-0100	CG125D废气循环橡胶管组件II-1#(φ9×φ4×300)	RUBBER PIPE	1
14	18097-I008-0100	CG125D废气循环管II卡箍	CLAMP	2
15	18092-I008-0100	CG125D废气循环橡胶管II(φ9×φ4×300)	RUBBER PIPE	1
16	1809B-G011-02000Y	C100-3#废气循环铁管组合(电泳黑漆)	IRON PIPE	1
17	90268-DA80-0000	PW70废气循环铁管纸垫	PAPER GASKET	1
18	B061770106000090X	GB6177.1螺母M6(兰白锌)	NUT M6	1
19	90274-I008-0000	CG125D二次空气泵支架隔热垫	INSULATING GASKET	1
20	18089-I008-00000C	CG125D空气泵支架板(彩锌)	GAS PUMP PLATE	1
21				