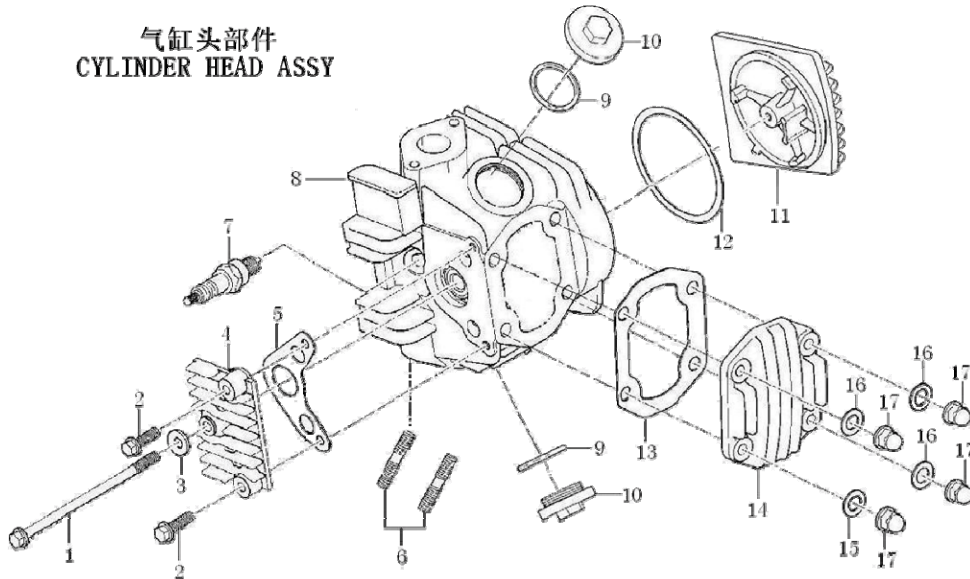


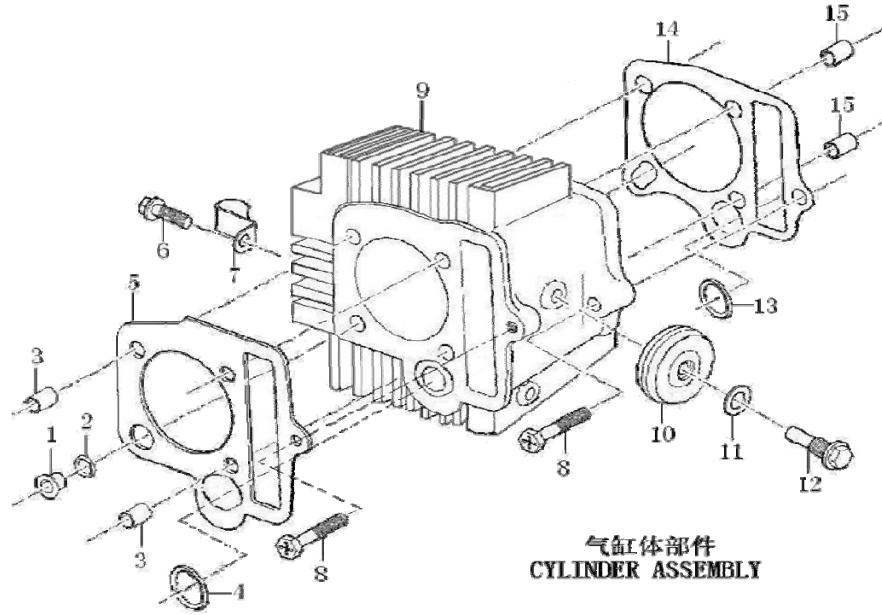
E1

气缸头部件
CYLINDER HEAD ASSY



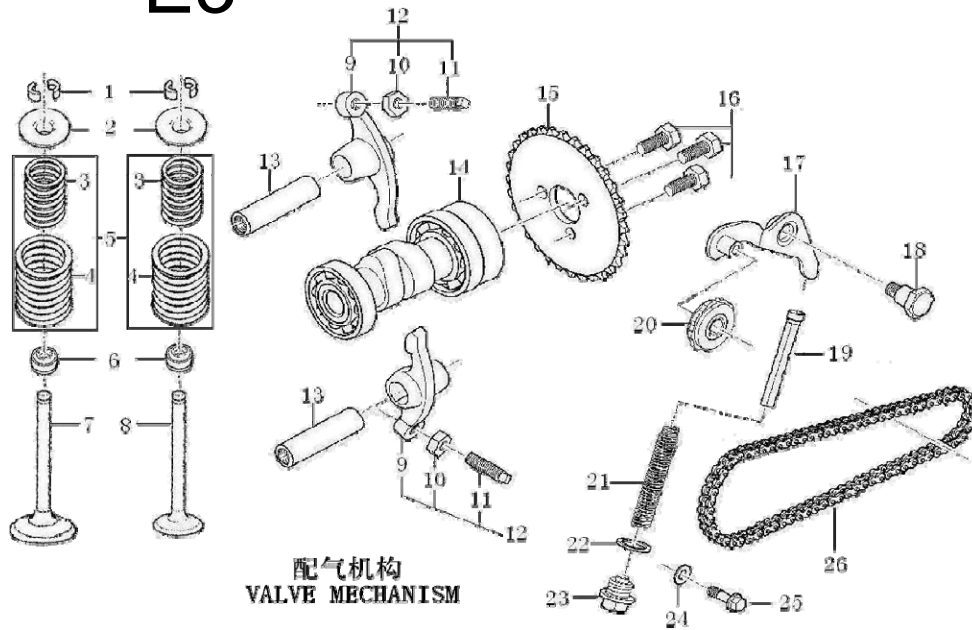
气缸头部件 CYLINDER HEAD ASSY. S1			
REF.No.	PART No.	名称	QTY
S1-1	91192-D002-00000X	BOLT M6×110	1
S1-2	B166740A06002070X	BOLT M6×20	2
S1-3	93301-70651012000	WASHER 6.5×1×12	1
S1-4	11228-G011-01006U	RIGHT COVER, CYLINDER HEAD	1
S1-5	90203-D002-0000	GASKET,R,CYLINDER HEAD COVER	1
S1-6	91138-I015-00000X	BOLT M6×32	2
S1-7	81300-G011-0000	SPARK PLUG	1
S1-8	11200-HZ30-09006U	CYLINDER HEAD ASSY	1
S1-9	90101-20296000320	O-RING 29.6×3.2	2
S1-10	11230-D002-00006U	COVER, VALVE CHAMBER	2
S1-11	11227-D002-02006U	LEFT COVER, CYLINDER HEAD	1
S1-12	90202-D002-0000	GASKET,L,CYLINDER HEAD COVER	1
S1-13	90201-D002-0000	GASKET, CYLINDER HEAD UPPER COVER	1
S1-14	11226-G011-00006U	UPPER COVER, CYLINDER HEAD	1
S1-15	93301-80732514000	WASHER 7.3×2.5×14	1
S1-16	93301-2073251400B	WASHER 7.3×2.5×14	3
S1-17	91201-G011-00000X	NUT M7	4

E2



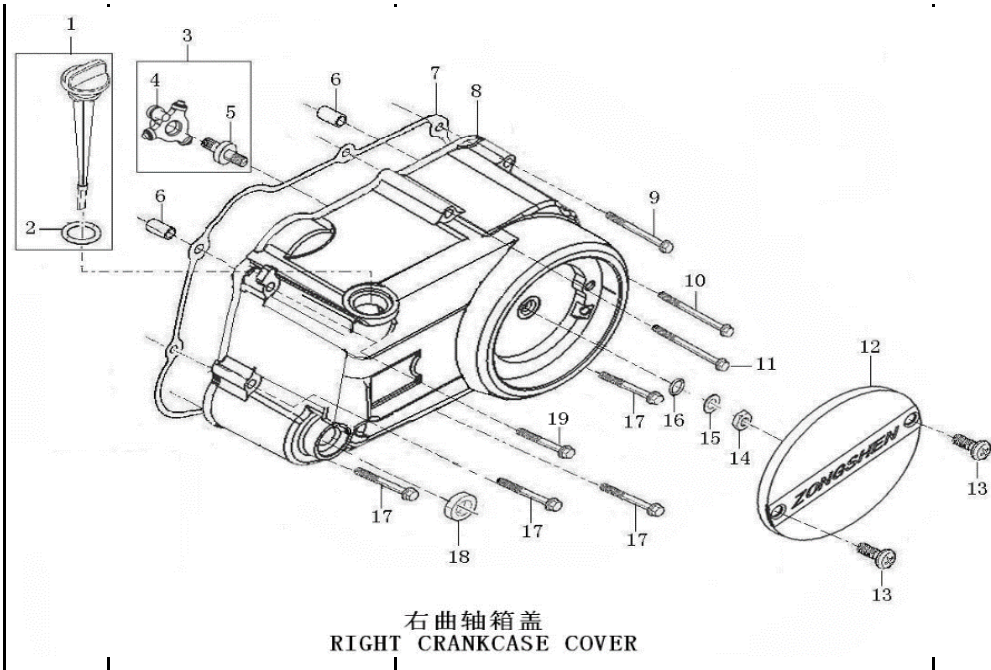
气缸体部件 CYLINDER ASSY. S2			
REF.No.	PART No.	名称	QTY
S2-1	11235-D002-0000	BUSH 9.5	1
S2-2	90102-D002-0001	RECTANGLE RING 8×10.8×1.5	1
S2-3	91521-08001400070	PIN 8×14×7	2
S2-4	90102-D002-0002	RECTANGLE RING 14×18.2×2.5	1
S2-5	9022B-HZ30-0100	GASKET ASSY,CYLINDER HEAD	1
S2-6	B166740A06001670X	BOLT M6×16	1
S2-7	11003-D002-00000X	CLIP, HIGH VOLTAGE WIRE	1
S2-8	91113-D002-00000X	BOLT M6×23	2
S2-9	1110B-HZ30-30000Y	CYLINDER BLOCK ASSEMBLY	1
S2-10	1533A-HZ30-0300	GUIDE CHAIN ROLLER SET	1
S2-11	93301-70801514000	WASHER 8.5×1.5×14	1
S2-12	15302-D002-00000X	GUIDE CHAIN ROLLER PIN	1
S2-13	90102-D002-0002	RECTANGLE RING 11.5×16×2.5	1
S2-14	90205-HZ30-0000	GASKET,CYLINDER BLOCK	1
S2-15	91521-08001200070	PIN 8×12×7	2

E3



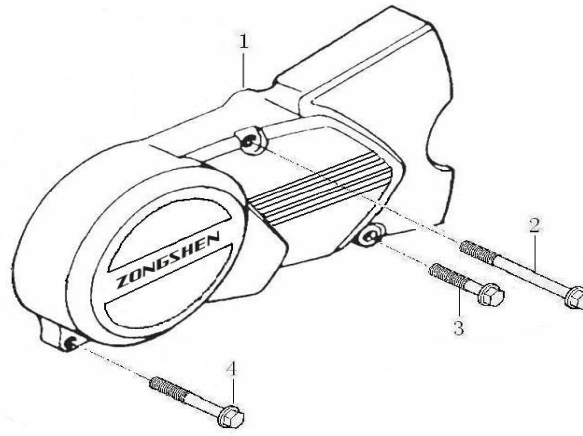
配气机构 VALVE MECHANISM S3			
REF.No.	PART No.	名称	QTY
S3-1	15707-D002-0000	VALVE COTTER	4
S3-2	15705-D002-0000	SPRING SEAT	2
S3-3	15704-D002-0200	VALVE INNER SPRING	2
S3-4	15703-D002-0000	VALVE OUTER SPRING	2
S3-5	15710-D002-0200	INNER SPRING,ASSY	2
S3-6	1572B-D002-0000	SEAL, VALVE STEM	2
S3-7	15701-D002-0000	INLET VALVE	1
S3-8	15702-D002-0000	EXHAUST VALVE	1
S3-9	15401-D002-0000	ROCKER ARM	2
S3-10	15403-D002-0000	NUT,VALVE CLEARANCE	2
S3-11	15404-D002-0000	SCREW, VALVE CLEARANCE	2
S3-12	1540A-D002-0000	ROCKER ARM ASSEMBLY, VALVE	2
S3-13	15402-D002-0000	ROCKER SHAFT	2
S3-14	15100-G011-0005	GAMP SHAFT COMP	1
S3-15	15301-D002-0000	TIMING DRIVEN SPROCKET	1
S3-16	91191-D002-0000	BOLT M5×12	3
S3-17	1556B-D002-0000	CHAIN ADJUSTING SET	1
S3-18	15505-D002-0000	AXLE, TENSIONER LEVER	1
S3-19	1555B-D002-0000	CHAIN TYHT SET	1
S3-20	1554B-D002-0000	LIFTER ASSY	1
S3-21	15503-D002-0000	SPRING	1
S3-22	93301-71401520000	WASHER 14.5×1.5×20	1
S3-23	91105-D002-00000X	SEALING PLUG M14×1.5	1
S3-24	93301-70621513000	WASHER 6.2×1.5×13	1
S3-25	B166740006001870X	BOLT M6×18	1
S3-26	1532B-G011-0000	SPROCKET CHAIN	1

E4



右曲轴箱盖 RIGHT CRANKCASE COVER S4			
REF.No.	PART No.	名称	QTY
S4-1	14301-G011-0000	OIL RULER ASSY	1
S4-2	90101-10180000300	O-RING 18×3	1
S4-3	2244A-G031-00000X	CLUTCH TAPPET	1
S4-4	22440-G011-0000	CLUTCH TAPPET	1
S4-5	91112-G031-00000X	BOLT M8	1
S4-6	91521-08001200063	PIN 8×12×6.3	2
S4-7	90206-D002-0000	GASKET , R.CRANKCASE COVER	1
S4-8	12421-G031-000062	COVER COMP. RIGHT CRANKCASE	1
S4-9	B166740A06008070X	BOLT M6×80	1
S4-10	B166740A06009070X	BOLT M6×90	1
S4-11	B166740A06006570X	BOLT M6×65	1
S4-12	12425-G001-00AD62	DECORATE COVER,R.CRANKCASE COVER	1
S4-13	B008200006001620X	SCREW M6×16	2
S4-14	B061700008000060X	NUT M8	1
S4-15	B0009701080000M0B	WASHER φ8	1
S4-16	90101-10080000180	O-RING 8×1.8	1
S4-17	B166740A06004070X	BOLT M6×40	4
S4-18	90304-D002-0000	OIL SEAL 13.8×24×5	1
S4-19	B166740A06004270X	BOLT M6×42	1

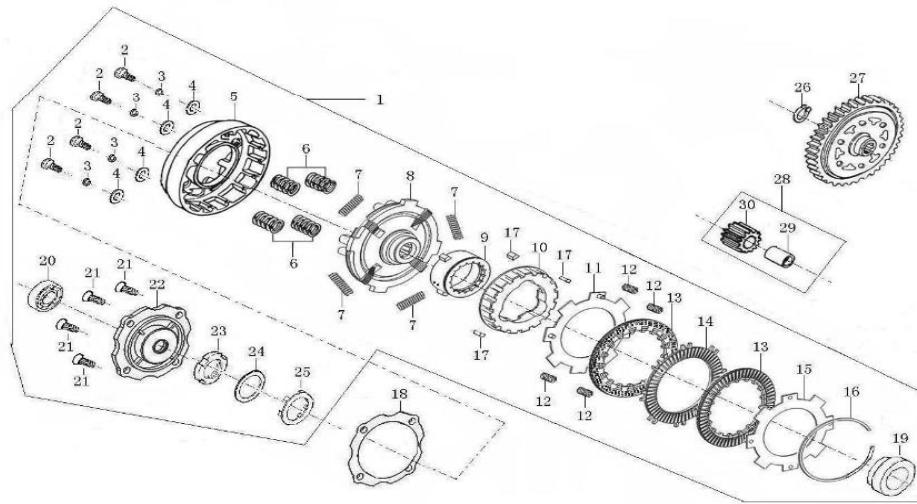
E5



左曲轴箱边盖
L. CRANKCASE COVER FRONT PART

左曲轴箱盖 LEFT CRANKCASE COVER S5			
REF.No.	PART No.	名称	QTY
S5-1	12306-F004-280062	L.CRANKCASE COVER FRONT PART	1
S5-2	B166740A06003570X	BOLT M6×35	1
S5-3	B166740A06002870X	BOLT M6×28	1
S5-4	B166740A06003270X	BOLT M6×32	1

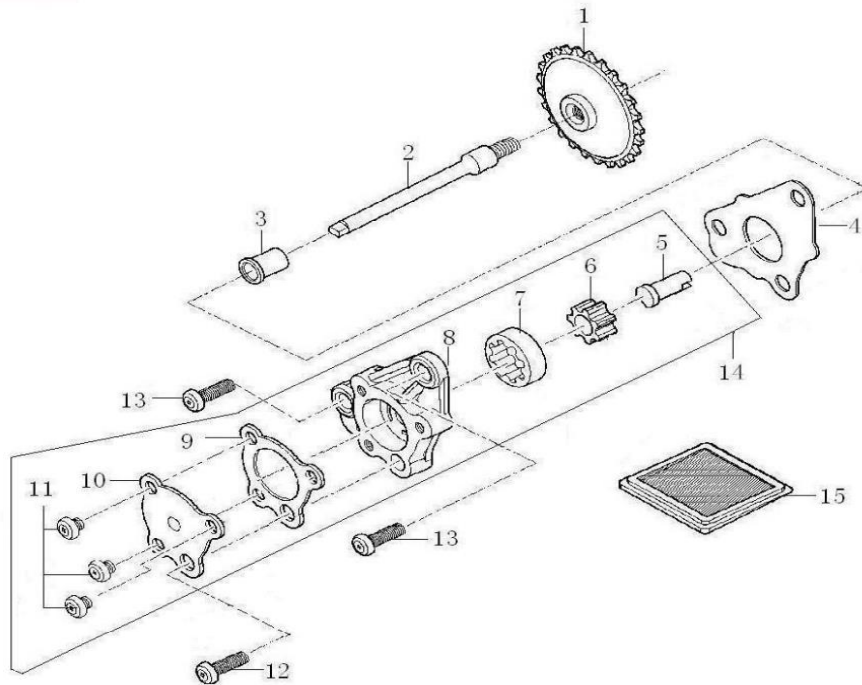
E6



离合器总成
CLUTCH ASSY

离合器总成 CLUTCH ASSY. S6			
REF.No.	PART No.	名称	QTY
S6-1	22000-G031-0700	CLUTCH ASSY	1
S6-2	B008180005001220B	SCREW M5×12	4
S6-3	B0009300050000000	WASHER φ5	4
S6-4	B0009600050000K00	WASHER φ5-140HV	4
S6-5	22151-G031-0000	OUTER CASE, CLUTCH	1
S6-6	22142-G031-0000	SPRING, CLUTCH	4
S6-7	22144-D002-0000	ABSORBING SPRING	4
S6-8	22110-G031-0000	DRIVE PLATE COMP	1
S6-9	22109-G031-0000	ALIGNING SLIDING BUSH	1
S6-10	22102-IA30-0000	HUB,CLUTCH SLEEVE	1
S6-11	2213B-G031-0000	CLUTCH TOP PLATE	1
S6-12	22143-G031-0000	CLUTCH CUT SPRING	4
S6-13	22215-G031-0000	OUTER FRICTION DISK A	2
S6-14	22214-G031-0000	DRIVE FRICTION DISK	1
S6-15	2212B-G031-0000	CLUTCH BELOW PLATE	1
S6-16	91403-D002-0000	ELASTIC CHECK RING	1
S6-17	22106-IA30-0000	CLUTCH DASH POT SLIPCOVER	3
S6-18	90218-G031-0000	GASKET,END COVER	1
S6-19	22135-D002-0000	SLEEVE	1
S6-20	92102-00000006000	BEARING (6000)	1
S6-21	B008190205001270B	SCREW M5×12	4
S6-22	22121-G031-0000	END COVER,CLUTCH	1
S6-23	91202-D002-0000	LOCK NUT, CLUTCH	1
S6-24	22004-D002-0000	DISH WASHER, CLUTCH	1
S6-25	22001-D002-0000	STOP WASHER, CLUTCH	1
S6-26	23226-D002-0000	CIRCLIP	1
S6-27	2312B-G031-0000	DRIVEN GEAR COMP	1
S6-28	23110-G031-0000	DRIVEN GEAR	1
S6-29	23102-G031-0000	AXLE SLEEVE	1
S6-30	23101-G031-0000	PRIMARY DRIVE GEAR	1

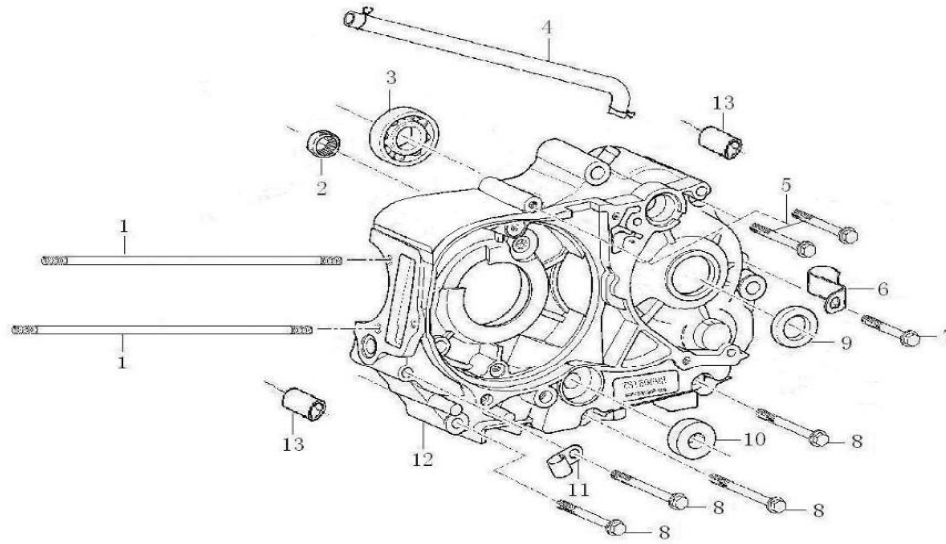
E7



机油泵部件
OIL PUMP

机油泵部件 OIL PUMP S7			
REF.No.	PART No.	名称	QTY
S7-1	1432B-D002-0000	HUB DUMP CHAIN SPROCKET , OIL PUMP	1
S7-2	14302-D002-0000	OIL PUMP SPROCKET SHAFT	1
S7-3	14304-D002-0000	BUSH, SPROCKET	1
S7-4	90210-D002-0000	GASKET,OIL PUMP	1
S7-5	14107-G011-0000	SHAFT,OIL PUMP	1
S7-6	14111-G011-0000	INNER ROTOR, OIL PUMP	1
S7-7	14112-G011-0000	OUTER ROTOR, OIL PUMP	1
S7-8	14110-G011-0000	OIL PUMP BODY	1
S7-9	90221-D002-0000	GASKET,OIL PUMP COVER	1
S7-10	14108-G011-0000	OIL PUMP COVER	1
S7-11	B008180005001020B	SCREW M5×10	3
S7-12	B008230006002220B	SCREW M6×22	1
S7-13	B008230006001620B	SCREW M6×16	2
S7-14	14100-G011-0000	OIL PUMP ASSY	1
S7-15	1431B-D002-0000	STRAINER,OIL FILTER	1

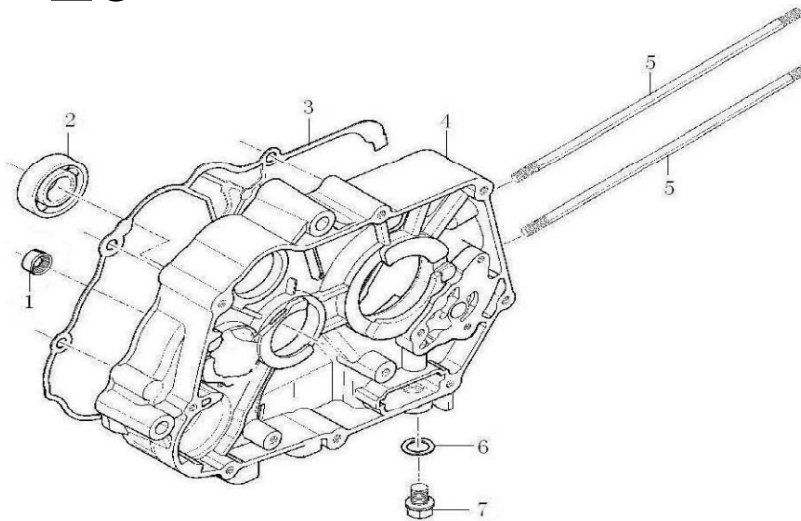
E8



左曲轴箱
LEFT CRANKCASE

左曲轴箱 LEFT CRANKCASE S8			
REF.No.	PART No.	名称	QTY
S8-1	91101-G011-0000	CYLINDER STUD BOLT A	2
S8-2	92102-0NK13.52212	BEARING (NK13.5×22×12)	1
S8-3	92102-0000006203	BEARING (6203)	1
S8-4	12130-G011-1000	PIPE ASSY	1
S8-5	B166740A06006070X	BOLT M6×60	2
S8-6	11003-D002-00000X	CLIP, HIGH VOLTAGE WIRE	1
S8-7	B166740A06004570X	BOLT M6×45	1
S8-8	B166740A06006570X	BOLT M6×65	4
S8-9	90303-D002-0000	OIL SEAL 17×29×5	1
S8-10	90301-D002-0000	OIL-SEAL 11.6×24×10	1
S8-11	12108-D002-00000X	CLIP, OVERFLOW PIPE	1
S8-12	1212B-F004-001562	LEFT CRANKCASE BLOCK	1
S8-13	91521-10001400000	PIN 10×14	2

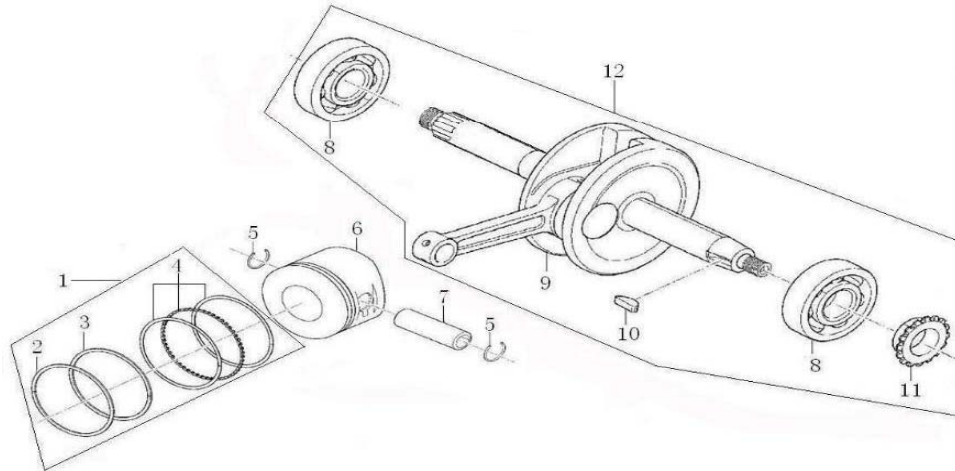
E9



右曲轴箱
RIGHT CRANKCASE

右曲轴箱 RIGHT CRANKCASE S9			
REF.No.	PART No.	名称	QTY
S9-1	92102-0NK13.52212	BEARING (NK13.5×22×12)	1
S9-2	92102-0000006203	BEARING (6203)	1
S9-3	90208-D002-0000	GASKET,CRANKCASE	1
S9-4	1222B-F004-000262	RIGHT CRANKCASE BLOCK	1
S9-5	91102-G011-0000	CYLINDER STUD BOLT B	2
S9-6	93301-71212020000	WASHER 12.4×2×20	1
S9-7	91103-I008-00000X	OIL DRAIN PLUG	1

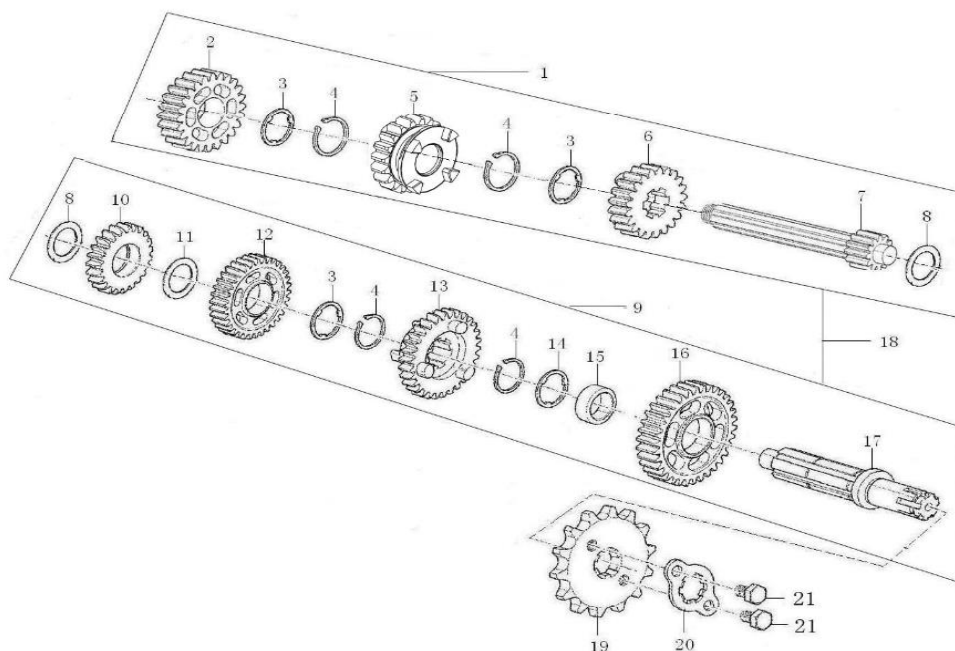
E10



曲轴连杆部件/活塞
CRANKSHAFT CONNECTING-ROD ASSY/PISTON

曲轴连杆部件/活塞 CRANKSHAFT CONNECTING-ROD ASSY. / PISTON S10			
REF.No.	PART No.	名称	QTY
S10-1	1310A-I015-0300	PISTON RING COMP	1
S10-2	13103-I015-0200	PISTON RING 1	1
S10-3	13104-I015-0000	PISTON RING 2	1
S10-4	13120-I015-0000	OIL RING ASSY	1
S10-5	91401-D002-0000	CHECK RING, PISTON PIN	2
S10-6	13101-H032-0000	PISTON	1
S10-7	13102-H020-0000	PIN PISTON	1
S10-8	92102-00000006304	BEARING (6304)	2
S10-9	13220-G001-0000	CONNECTING ROD COMP 3	1
S10-10	91601-D002-0000	SEMICIRCULAR KEY	1
S10-11	13222-D002-0000	HUB DUMP CHAIN SPROCKET	1
S10-12	1320B-G001-0000	CRANKSHAFT CONNECTING-ROD ASSY	1

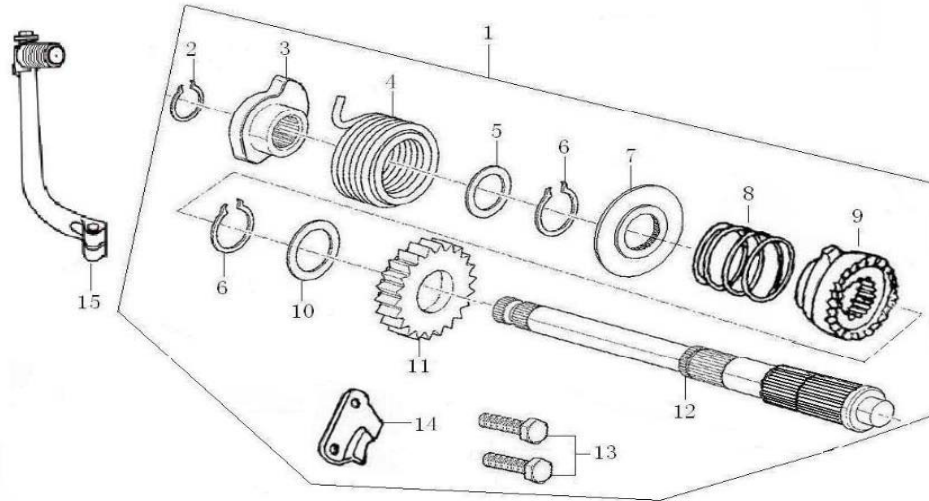
E11



主副轴组合
TRANSMISSION MAIN, COUNTER SHAFT

主副轴组合 TRANSMISSION MAIN, COUNTER SHAFT S11			
REF.No.	PART No.	名称	QTY
S11-1	23220-D002-1000	MAIN SHAFT, TRANSMISSION	1
S11-2	23222-D002-0004	GEAR M-4	1
S11-3	23223-D002-0000	WASHER	3
S11-4	23226-D002-0000	CIRCLIP	4
S11-5	23222-D002-0003	GEAR M-3	1
S11-6	23222-D002-0002	GEAR M-2	1
S11-7	23221-D002-1000	TRANSMISSION MAIN SHAFT	1
S11-8	93301-51370526000	WASHER 13.7×0.5×26	2
S11-9	23240-D002-0000	COUTERSHAFT TRANSMISSION	1
S11-10	23242-D002-0004	GEAR C-4	1
S11-11	93301-51721026000	WASHER 17.2×1.0×26	1
S11-12	23242-D002-0003	GEAR C-3	1
S11-13	23242-D002-0002	GEAR C-2	1
S11-14	23223-D002-0002	WASHER	1
S11-15	23247-D002-0000	COLLAR	1
S11-16	23242-D002-0001	GEAR C-1	1
S11-17	23241-D002-0000	TRANSMISSION COUNTER SHAFT	1
S11-18	23200-D002-1000	TRANSMISSION MAIN,COUNTER SHAFT	1
S11-19	23401-G011-0008	DRIVE SPROCKET	1
S11-20	23402-D002-0000	FIXING PLATE,DRIVE SPROCKET	1
S11-21	B057830006001070B	BOLT M6×10	2

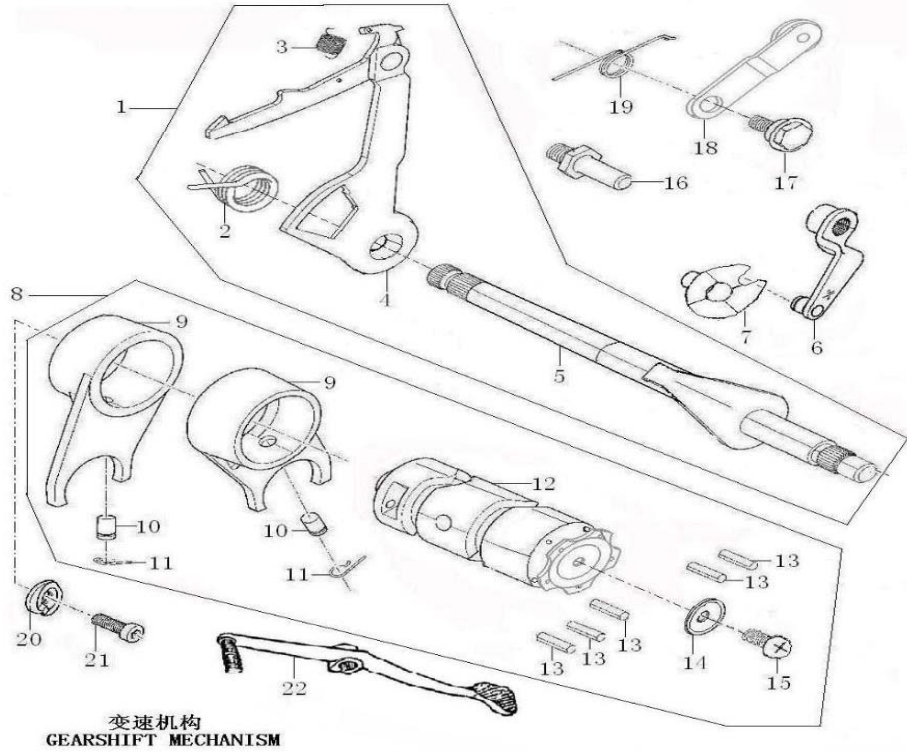
E12



启动轴总成
KICK STARTING SHAFT ASSEMBLY

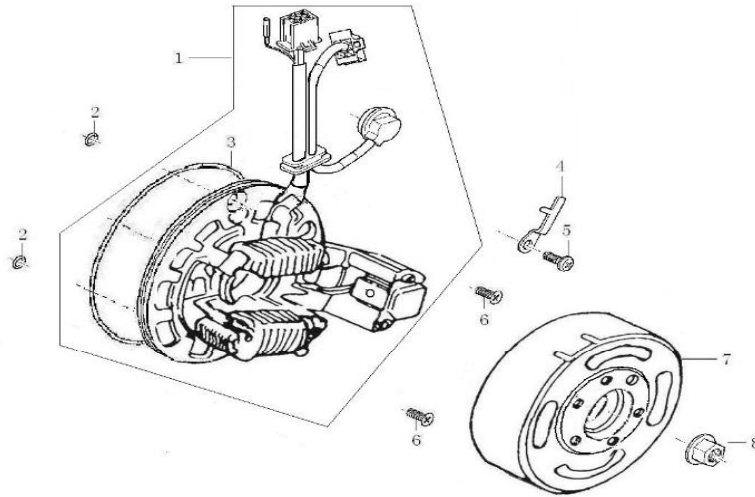
启动轴总成 KICK STARTING SHAFT ASSEMBLY S12			
REF.No.	PART No.	名称	QTY
S12-1	21100-D002-0001	KICK STARTING SHAFT ASSEMBLY	1
S12-2	91402-D002-0000	CIRCLI $\phi 15.5 \times 1.2 \times \phi 19$	1
S12-3	21104-D002-0000	SEAT, SPRING, KICK STARTING SHAFT	1
S12-4	21106-D002-0000	RETURN SPRING, KICK STARTING SHAFT	1
S12-5	93301-61721024000	WASHER 17.2 \times 1.0 \times 24	1
S12-6	91402-D002-0100	CIRCLI $\phi 18.5 \times 1.2 \times \phi 22.1$	2
S12-7	21122-D002-0000	SPRING SUPPORT	1
S12-8	21119-D002-0000	SPRING, KICK STARTING RATCHET WHEEL	1
S12-9	21118-D002-0000	STARTING RATCHET	1
S12-10	93301-62021027000	WASHER 20.2 \times 1.0 \times 27	1
S12-11	21117-D002-0000	GEAR, KICK STARTER	1
S12-12	21107-D002-0001	PIVOT, KICK STARTING SHAFT	1
S12-13	B057830006002070B	BOLT M6 \times 20	2
S12-14	21108-D002-0000	SPACE, RATCHET WHEEL	1
S12-15	21200-D002-0001	START-UP BAR COMP	1

E13



变速机构 GEARSHIFT MECHANISM S13			
REF.No.	PART No.	名称	QTY
S13-1	24300-G031-00020C	GEARSHIFT LEVER COMP	1
S13-2	24302-G031-0000	RETURN SPRING	1
S13-3	24318-D002-0000	GEARSHIFT LEVER TENSIO M SPRING	1
S13-4	2432A-G031-0000	LIMIT SCREW	1
S13-5	24301-G031-0100	GEARSHIFT SHAFT COMP	1
S13-6	2242A-G031-0000	CONTROLLING ARM ASSEMBLY, CLUTCH	1
S13-7	2245A-G031-0500	CAM PLATE ASSEMBLY, CLUTCH	1
S13-8	24200-D002-2500	GEARSHIFT DRUM COMP	1
S13-9	24101-D002-0000	GEARSHIFT FORK	2
S13-10	24102-D002-0000	GUIDE PIN	2
S13-11	24103-D002-0000	CLIP, SPRING	2
S13-12	24213-D002-0000	GEARSHIFT DRUM	1
S13-13	91522-04001300000	PIN 4×13	5
S13-14	24212-D002-0000	SHIFT DRUM LOCATING PLATE GROUP	1
S13-15	B008200006002020B	SCREW M6×20	1
S13-16	91117-D002-0000	BOLT, RETURN SPRINGN FIXING 8×11	1
S13-17	91115-D002-0000	BOLT FIXING PLATE	1
S13-18	2434A-D002-0000	LOCATING PLATE ASSY	1
S13-19	24304-D002-0000	SPRING ,LOCATING PLATE	1
S13-20	88004-G011-0000	CONTACT , CEARINDICATION	1
S13-21	91149-G011-01000C	SCREW	1
S13-22	24400-G007-0107	GEARSHIFT SHAFT	1

E14



磁电机总成
MAGNETO COMP

磁电机总成 MAGNETO COMP S14			
REF.No.	PART No.	名称	QTY
S14-1	82120-F004-025434	STATOR ASSY,MAGNETO	1
S14-2	90101-50065000180	O-RING 6.5×1.8	2
S14-3	90101-51068000200	O-RING 106.8×2	1
S14-4	88002-G011-0001	GEARSHIFT SWITCH PRESSING PLATE	1
S14-5	B008230006001220B	SCREW M6×12	1
S14-6	B008190106001620X	SCREW M6×16	2
S14-7	82130-F004-0100	ROTOR ASSY,MAGNETO	1
S14-8	91213-D002-00010X	NUT	1