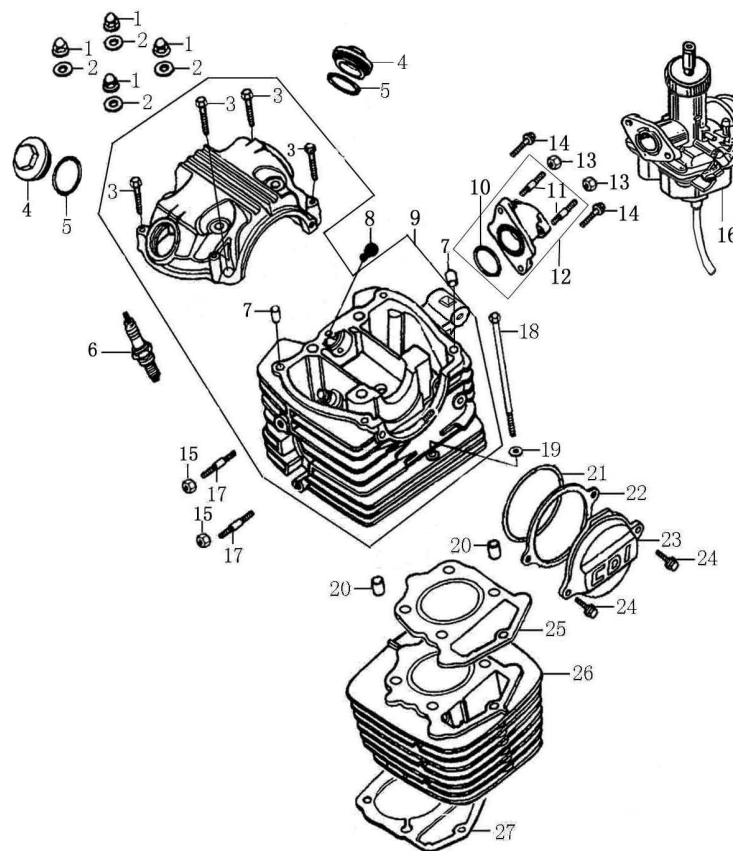


XV 250 ENGINE PARTS CATALOGUE

CYLINDER HEAD ASSY/CYLINDER ASSEMBLY

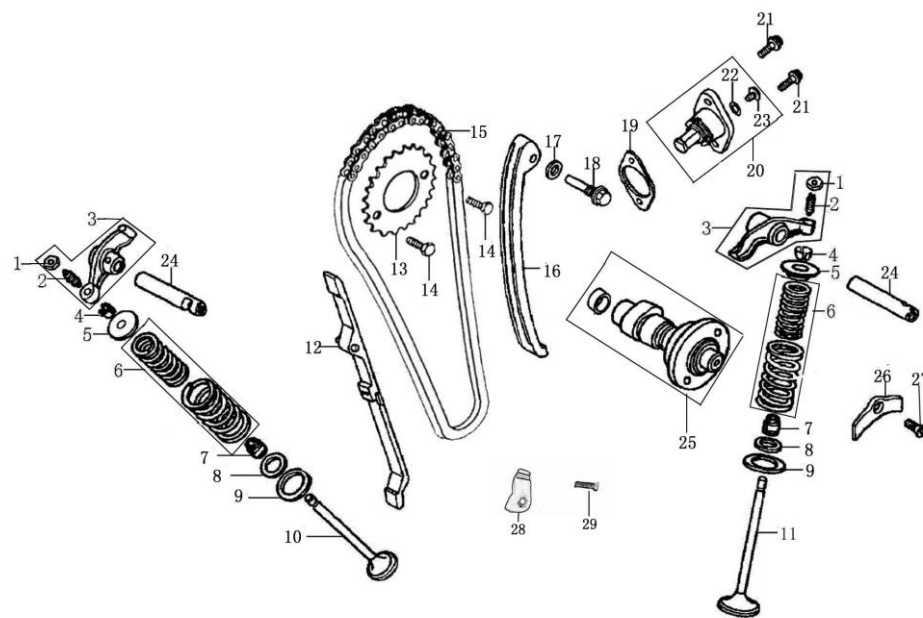
NO.	PART CODE	DESCRIPTION
1	91201-1006-00000X	NUT M8
2	93301-80852018000	WASHER 8.5×2×18
3	B166740A06003570X	BOLT M6×35
4	11230-1006-00000G	COVER, VALVE CHAMBER
5	90101-20350000300	O-RING 35×3
6	81300-1006-0000	SPARK PLUG
7	91521-08001400000	PIN 8×14×6.3
8	11015-1006-0000	RUBBER, CASING CAP
9	1122B-ME05-000086	CYLINDER HEAD ASSY
10	90101-20335000300	O-RING 33.5×3
11	91127-1006-0000	BOLT
12	15800-L044-0041	INLET PIPE
13	B061700006000090X	NUT M6
14	B057830006002070X	BOLT M6×20
15	B061700008000090X	NUT M8
16	17100-MA76-0002	CARBURETOR
17	91138-G012-00000X	BOLT M8×36
18	B166740A06012570X	BOLT M6×125
19	93301-3062201300B	WASHER 6.2×2×13
20	91521-10002000000	PIN 10×20
21	90101-20750000265	O-RING 75×2.65
22	90202-1006-0000	GASKET,L,CYLINDER HEAD COVER
23	11227-1006-100186	LEFT COVER, CYLINDER HEAD
24	B166740A06002070X	BOLT M6×20
25	9022B-ME05-0000	GASKET ASSY,CYLINDER HEAD
26	1110B-ME05-000086	CYLINDER BLOCK ASSEMBLY
27	90205-J025-0000	GASKET,CYLINDER BLOCK



气缸头部件/气缸体部件
CYLINDER HEAD ASSY/CYLINDER ASSEMBLY

VALVE MECHANISM

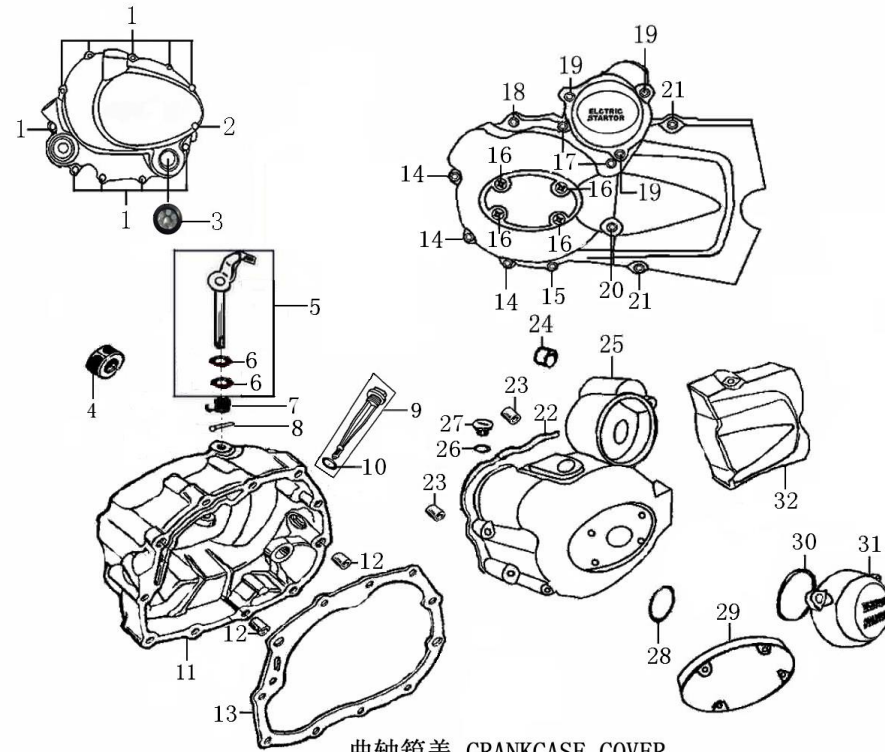
NO.	PART CODE	DESCRIPTION
1	15403-1006-0000	NUT, VALVE CLEARANCE
2	15404-1006-0000	SCREW, VALVE CLEARANCE
3	1540A-1006-0000	ROCKER ARM ASSEMBLY, VALVE
4	15707-1006-0000	VALVE LOCKER
5	15705-1006-0000	SPRING SEAT
6	15710-1006-0000	INNER SPRING, ASSY
7	1572B-1008-0000	SEAL, VALVE STEM
8	15708-1008-0000	SPRING SEAT
9	15706-1008-0000	OUTER VALVE SPRING RETAINER
10	15702-LA74-0000	EXHAUST VALVE
11	15701-LA74-0000	INTAKE VALVE
12	1553A-ME05-0000	GUIDE PLATE CHAIN
13	15301-L044-0000	TIMING DRIVEN SPROCKET
14	B057830006001270B	BOLT M6×12
15	1532B-ME05-0000	SPROKET CHAIN
16	1552A-ME05-0000	TENSION PLATE ASSY
17	93301-70851514000	WASHER 8.5×1.5×14
18	91109-1006-00000X	BOLT
19	90211-1049-0000	GASKET, TENSIONER
20	1554B-1049-000086	LIFTER ASSY
21	B000700106001670X	SCREW M6×16
22	90101-20090000180	O-RING 9×1.8
23	91120-1006-0000	BOLT
24	15402-1006-0100	ROCKER SHAFT
25	15100-ME05-0000	GAMP SHAFT COMP
26	11201-1006-0000	POSITION PLATE, ROCKER SHAFT
27	B008190106001620B	SCREW M6×16
28	2143B-L044-0000	ASSEMBLY, CHAIN PROTECT PLATE
29	B057830006001670B	BOLT M6×16



配气机构 VALVE MECHANISM

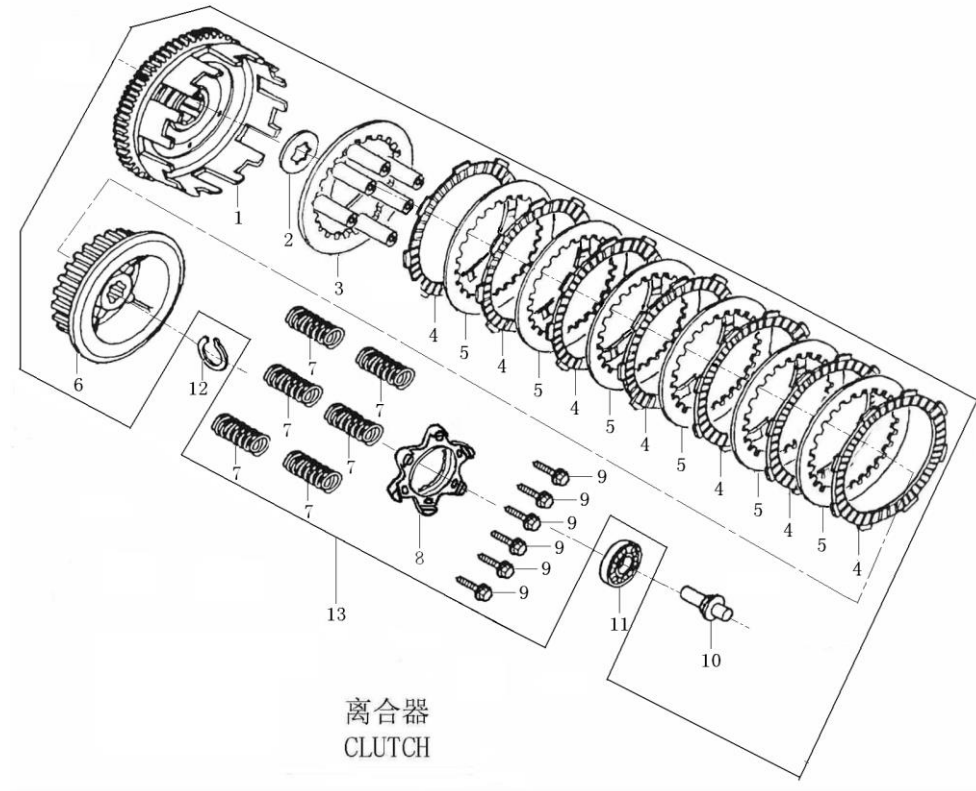
CRANKCASE COVER

NO.	PART CODE	DESCRIPTION
1	B166740A06004070X	BOLT M6×40
2	B166740A06005070X	BOLT M6×50
3	12426-1008-0000	OIL LELVE SIGHT WINDOW
4	90304-1006-0000	OIL SEAL 16×28×7
5	2242A-1006-07000G	CONTROLLING ARM ASSEMBLY, CLUTCH
6	90101-30087000190	O-RING 8.7×1.9
7	22427-1006-0000	CLUTCH CONTROLLING ARM SPRING
8	B0087901030120000	PIN 3×12
9	14301-1006-0000	OIL RULER ASSY
10	90101-10180000300	O-RING 18×3
11	12421-1008-140185	COVER COMP. RIGHT CRANKCASE
12	91521-08001400000	PIN 8×14×6.3
13	90206-1008-0000	GASKET, R.CRANKCASE COVER
14	B166740A06002570X	BOLT M6×25
15	B166740A06003570X	BOLT M6×35
16	B008180006001220X	SCREW M6×12
17	B166740A06005570X	BOLT M6×55
18	B166740A06003570X	BOLT M6×35
19	B166740A06002070X	BOLT M6×20
20	B166740A06006070X	BOLT M6×60
21	B166740A06002870X	BOLT M6×28
22	90204-1049-0000	GASKET, L.CRANKCASE COVER
23	91521-08001400000	PIN 8×14×6.3
24	92102-1008-0001	BEARING
25	12301-1049-100085	FRONT PART, L.CRANKCASE COVER
26	90101-10132000265	O-RING 13.2×2.65
27	12303-G011-000085	CAP, SMALL VIEW HOLE
28	90101-10274000265	O-RING 27.4×2.65
29	12307-1008-10010G	DECORATE COVER ,L.CRANKCASE COVER
30	90101-10630000265	O-RING 63×2.65
31	12308-1049-100085	COVER,REDUCTION GEAR
32	12302-1049-070085	BACK PART, L.CRANKCASE COVER



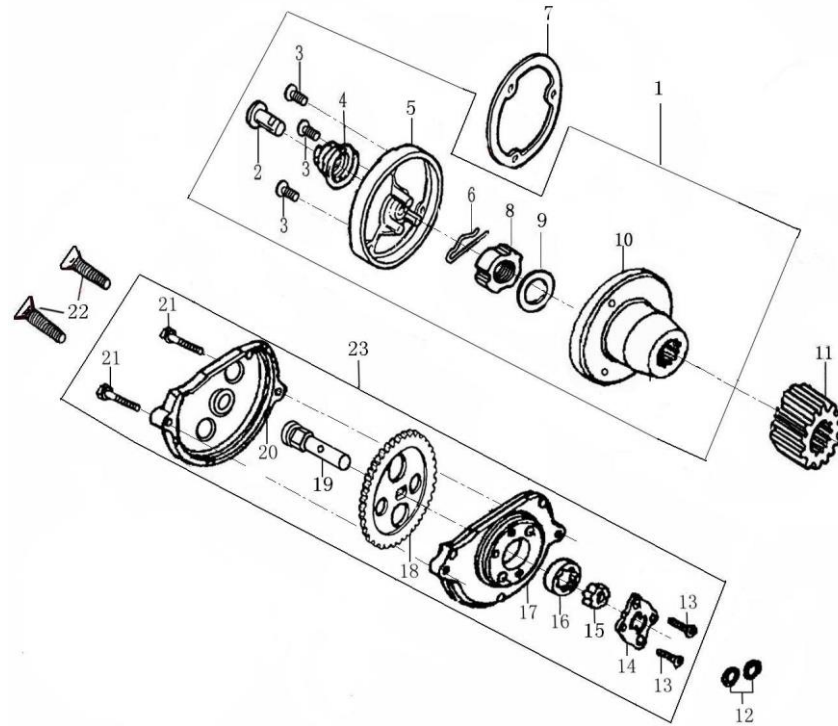
CLUTCH ASSY

NO.	PART CODE	DESCRIPTION
1	22150-LA73-0100	OUT CASE ASSEMBLY, CLUTCH
2	22002-I006-0000	WASHER
3	22122-LA73-0000	PRESSURE PLATE, CLUTCH
4	22214-LA73-0000	DRIVE FRICTION DISK
5	22215-J034-0000	OUTER FRICTION DISK A
6	22105-LA73-0100	CENTER SLEEVE, CLUTCH
7	22142-LA73-0000	SPRING, CLUTCH
8	22121-LA12-0000	END COVER, CLUTCH
9	91129-J034-00000B	BOLT M5×20
10	22403-I006-0000	PUSHING ROD, CLUTCH
11	92102-00000016003	BEARING (16003)
12	91403-I008-0000	ELASTIC CHECK RING
13	22000-LA73-0906	CLUTCH ASSY



OIL PUMP/OIL FILTER

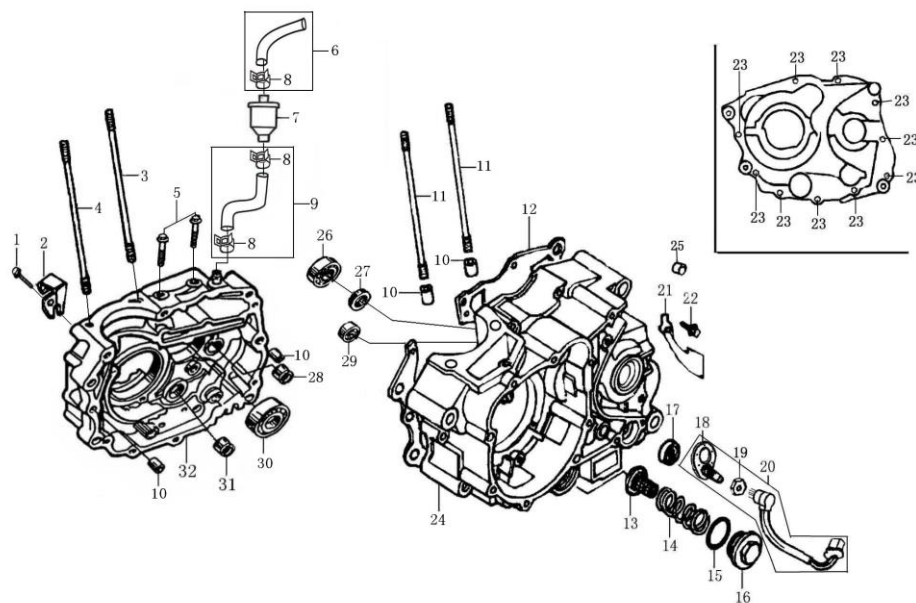
NO.	PART CODE	DESCRIPTION
1	14200-IA20-0100	OIL FILTER,COMP
2	14201-1006-0000	OIL PIPE
3	8008190105001220B	SCREW M5×12
4	14202-1006-0000	SPRING, OIL PIPE
5	14207-IA20-00000W	OIL FILTER COVER
6	14208-1006-0000	OPEN PIN
7	90209-IA20-0000	GASKET, OIL FILTER
8	91203-1006-0000	NUT
9	22004-1006-0000	DISH WASHER, CLUTCH
10	14203-IA20-0100	ROTOR ASS. OF OIL FILTER
11	23101-1006-0000	PRIMARY DRIVE GEAR
12	90101-10094000240	O-RING 9.4×2.4
13	8008190104001020B	SCREW M4×10
14	14108-L044-0200	OIL PUMP COVER
15	14111-L044-0200	INNER ROTOR, OIL PUMP
16	14112-L044-0000	OUTER ROTOR, OIL PUMP
17	14110-L044-0200	OIL PUMP BODY
18	14102-L044-0001	GEAR,OIL PUMP
19	14107-L044-0200	SHAFT,OIL PUMP
20	14113-L044-0000	OIL PUMP GEAR COVER
21	8057820005002070B	BOLT M5×20
22	8008190106003020B	SCREW M6×30
23	14100-L044-0001	OIL PUMP ASSY



机油泵部件/机油滤清器部件
OIL PUMP/OIL FILTER

CRANKCASE

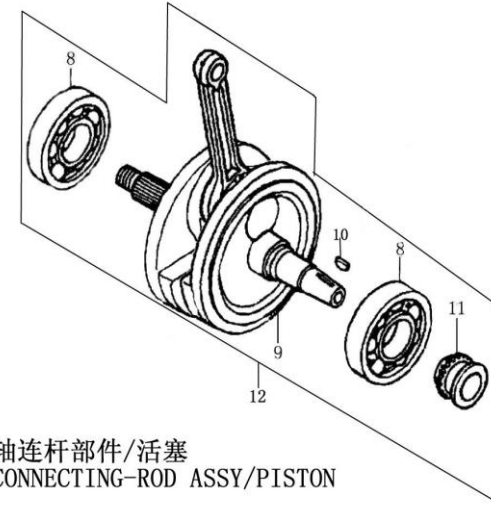
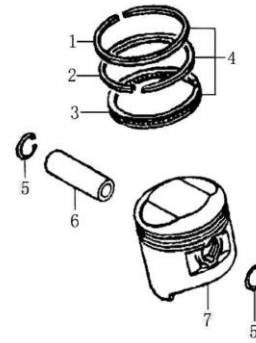
NO.	PART CODE	DESCRIPTION
1	B166740A06005570X	BOLT M6×55
2	22422-1A18-01000X	HOLDER,CLUTCH CABLE
3	91102-L044-0000	CYLINDER STUD BOLT B
4	91102-L044-0100	CYLINDER STUD BOLT B
5	B166740A06002870X	BOLT M6×28
6	12130-ME13-0101	BREATH TUBE
7	12162-MA95-0000	OIL AIR FILTER
8	18097-1008-0000	CLAMP
9	12130-MA95-0200	BREATH TUBE
10	91521-10001400000	PIN 10×14
11	91101-KA35-0000	CYLINDER STUD BOLT A
12	90208-ME05-0000	GASKET,CRANKCASE
13	1431B-1006-0000	STRAINER,OIL FILTER
14	14221-1006-0000	SPRING,OIL FILTER STRAINER
15	90101-20350000300	O-RING 35×3
16	11230-1006-00000W	COVER, VALVE CHAMBER
17	90301-1006-0000	OIL-SEAL 14×28×7
18	88001-1049-0500	GEARSHIFT SWITCH PLATE
19	91204-1049-0000	NUT
20	8803B-1049-050045	GEARSHIFT SWITCH LAMP
21	12103-1008-0000	POSITION PLATE
22	B166740A06001270B	BOLT M6×12
23	B166740A06005070X	BOLT M6×50
24	1212B-1A27-000085	LEFT CRANKCASE BLOCK
25	92102-1008-0001	BEARING
26	92102-00000006204	BEARING (6204)
27	90303-1006-0000	OIL SEAL 20×34×7
28	92102-000NK152312	BEARING (NK152312)
29	92102-0000TM6202Z	BEARING (TM6202Z)
30	92102-00000006006	BEARING (6006)
31	92102-000HK212810	BEARING (HK212810)
32	1222B-ME05-000085	RIGHT CRANKCASE BLOCK



曲轴箱 CRANKCASE

CRANKSHAFT CONNECTING-ROD ASSY/PISTON

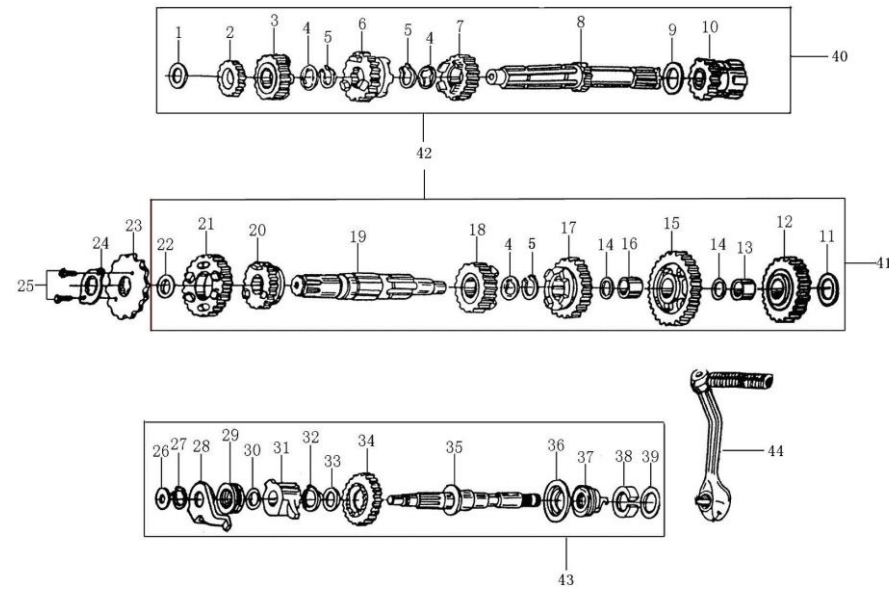
NO.	PART CODE	DESCRIPTION
1	13103-ME05-0000	PISTON RING 1
2	13104-ME05-0000	PISTON RING 2
3	13120-ME05-0000	OIL RING ASSY
4	1310A-ME05-0000	PISTON RING COMP
5	91401-I006-0000	CHECK RING, PISTON PIN
6	13102-LA66-0000	PIN PISTON
7	13101-ME05-0000	PISTON
8	92102-00TMSC06B42	BEARING (TM-SC06B42)
9	13220-ME05-0000	CONNECTING ROD COMP 3
10	91601-I008-0000	SEMICIRCULAR KEY
11	13222-ME05-0000	HUB DUMP CHAIN SPROCKET
12	1320B-ME05-0000	CRANKSHAFT CONNECTING-ROD ASSY



曲轴连杆部件/活塞
CRANKSHAFT CONNECTING-ROD ASSY/PISTON

TRANSMISSION MECHANISM

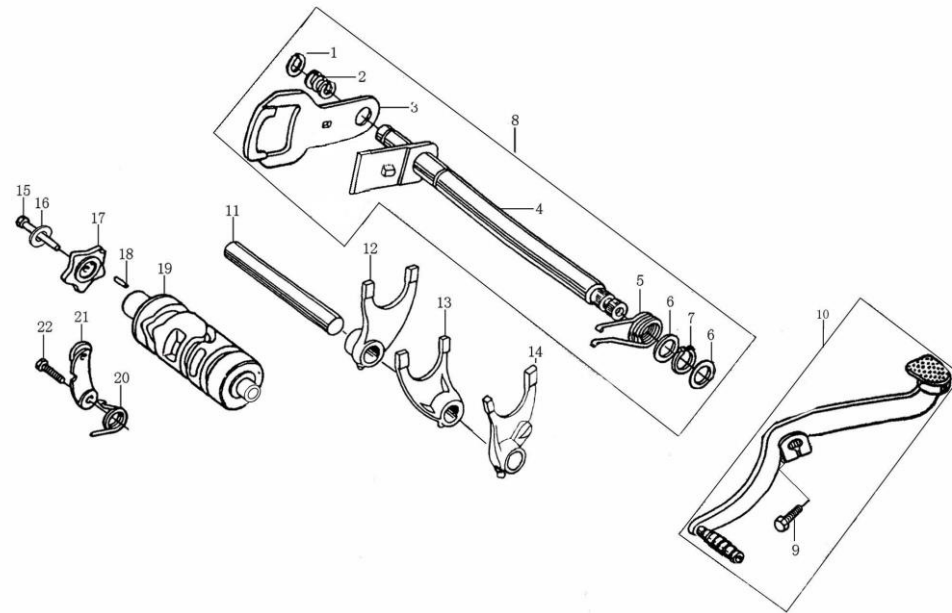
NO.	PART CODE	DESCRIPTION
1	93301-61521025000	WASHER 15.2×1×25
2	23222-LA73-0002	GEAR M-2
3	23222-LA73-0005	GEAR M-5
4	23223-1006-0000	WASHER
5	91402-D002-0100	CIRCLI ϕ 18.5×1.2× ϕ 22.1
6	23222-LA73-0004	GEAR M-4
7	23222-LA73-0003	GEAR M-3
8	23221-LA73-0000	TRANSMISSION MAIN SHAFT
9	93301-62020527000	WASHER 20.2×0.5×27
10	23231-1008-0000	FINAL SHAFT
11	93301-61521030000	WASHER 15.2×1×30
12	23248-1008-0000	GEAR
13	23203-1008-0003	GEAR BUSH
14	93301-51650524000	WASHER 16.5×0.5×24
15	23242-LA73-0001	GEAR C-1
16	23203-1006-0001	GEAR BUSH
17	23242-LA73-0003	GEAR C-3
18	23242-LA73-0004	GEAR C-4
19	23241-1008-0000	TRANSMISSION COUNTER SHAFT
20	23242-LA73-0005	GEAR C-5
21	23242-LA73-0002	GEAR C-2
22	93301-52001027000	WASHER 20×1×27
23	23401-1008-0008	DRIVE SPROCKET
24	23402-1006-0000	FIXING PLATE, DRIVE SPROCKET
25	B057830006001070B	BOLT M6×10
26	93301-51211018000	WASHER 12.1×1×18
27	B0089401160000000	CIRCLIP 16
28	2112B-1008-0000	GUIDE PLATE ASS.
29	21119-1008-0000	SPRING, KICK STARTING RATCHET WHEEL
30	93301-51611024000	WASHER 16.1×1×24
31	21118-1008-0000	STARTING RATCHET
32	91402-1008-0000	CIRCLI ϕ 18.5×1.2× ϕ 22.4
33	93301-62000527000	WASHER 20×0.5×27
34	21117-1008-0000	GEAR, KICK STARTER
35	21107-1008-0001	PIVOT, KICK STARTING SHAFT
36	21104-1008-0000	SEAT, SPRING, KICK STARTING SHAFT
37	21106-1008-0000	RETURN SPRING, KICK STARTING SHAFT
38	21111-1008-0000	COLLAPSIBLE
39	93301-51611030000	WASHER 16.1×1×30
40	23220-LA73-0000	MAIN SHAFT, TRANSMISSION
41	23240-LA73-0000	COUTERSHAFT TRANSMISSION
42	23200-LA73-0100	TRANSMISSION MAIN, COUNTER SHAFT
43	21100-1008-0202	KICK STARTING SHAFT ASSEMBLY
44	21200-1008-0009	START-UP BAR COMP



传动机构
TRANSMISSION MECHANISM

GEARSHIFT MECHANISM

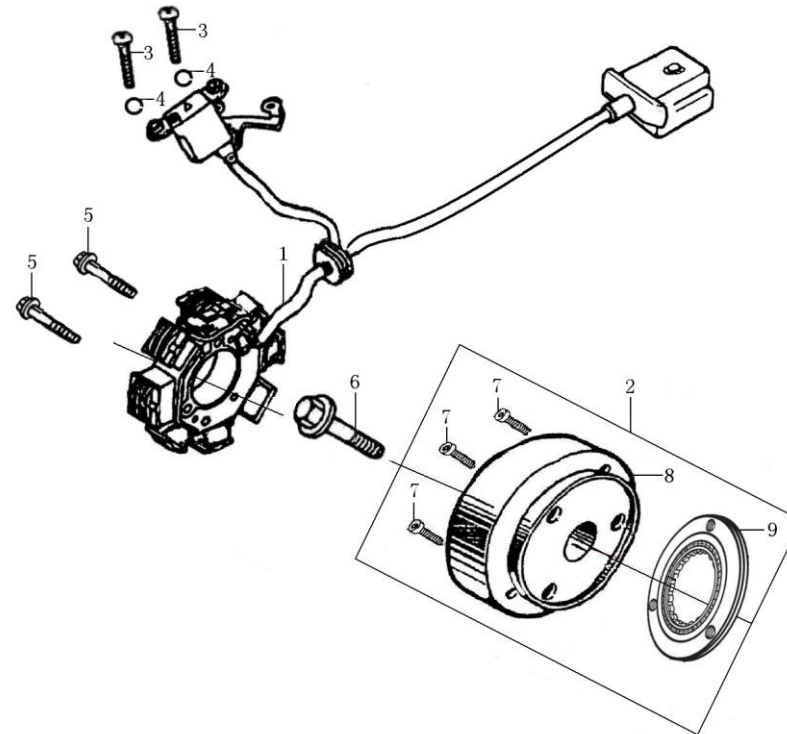
NO.	PART CODE	DESCRIPTION
1	8008940112000000	CIRCLIP 12
2	24303-1006-0000	SPRING, GEARSHIFT PLATE
3	24319-1006-0000	GEARSHIFT PLATE
4	24301-1006-00000C	GEARSHIFT SHAFT COMP
5	24302-1008-0000	RETURN SPRING
6	93301-51400520000	WASHER 14×0.5×20
7	8008940114000000	CIRCLIP 14
8	24300-1006-00000C	GEARSHIFT LEVER COMP
9	8057830006002070G	BOLT M6×20
10	24400-1008-0016	GEARSHIFT SHAFT
11	24107-1006-0000	SHAFT , GEARSHIFT FORK
12	24104-1006-0000	RIGHT FORK, COUNTERSHAFT
13	24106-1006-0000	CENTER FORK, MAINSHAFT
14	24105-1006-0000	LEFT FORK, COUNTERSHAFT
15	91126-1008-00000B	BOLT
16	80009300060000000	WASHER φ6
17	24202-1006-0500	STOPPING PLATE
18	80011901040100000	PIN 4×10
19	24213-1006-0500	GEARSHIFT DRUM
20	24304-1006-0000	SPRING ,LOCATING PLATE
21	2434A-1008-0000	LOCATING PLATE ASSY
22	8057830006002070B	BOLT M6×20



变速机构 GEARSHIFT MECHANISM

MAGNETO COMP

NO.	PART CODE	DESCRIPTION
1	82120-1049-010043	STATOR ASSY,MAGNETO
2	82130-1049-0400	ROTOR ASSY,MAGNETO
3	8008230004001020B	SCREW M4×10
4	80009300040000000	WASHER φ4
5	8166740A06002870B	BOLT M6×28
6	91106-1008-0000	BOLT M10×36
7	91197-1008-00000C	BOLT M8×18
8	82130-1049-0301	ROTOR ASSY,MAGNETO
9	21300-LA73-0000	ASSEMBLY, OVERRUNNING CLUTCH

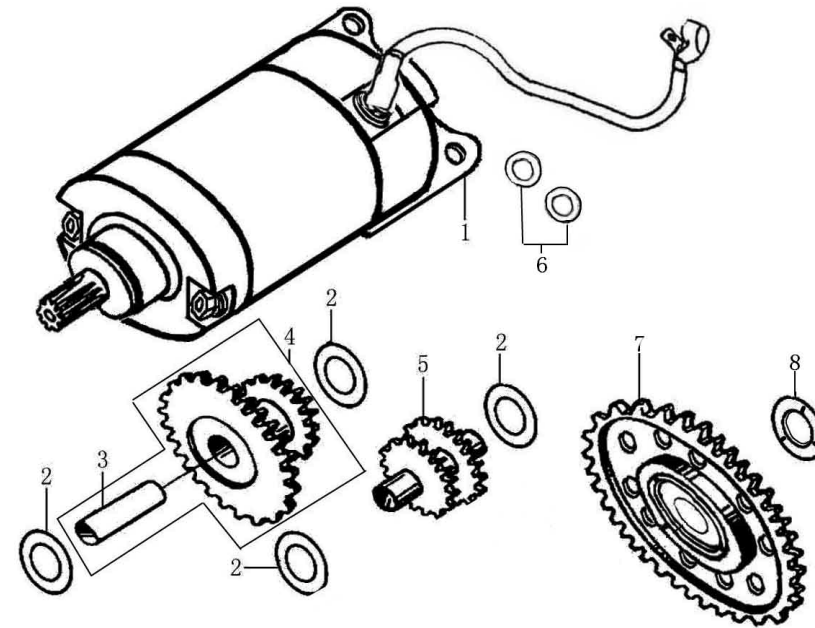


磁电机总成 MAGNETO COMP

E10

ELECTRIC STARTING MECHANISM

NO.	PART CODE	DESCRIPTION
1	82200-ME05-030051	STARTING MOTOR ASSY
2	93301-51050518000	WASHER 10.5×0.5×18
3	21402-I049-0000	SHAFT,REDUCTION
4	2140A-L044-0100	GEAR, REDUCTION, 1
5	21401-L044-0000	GEAR, REDUCTION, 2
6	82202-ME05-0000	WASHER
7	2142A-IA27-0000	PLATE GEAR ASSY
8	93301-E2203534000	WASHER 22×3.5×34

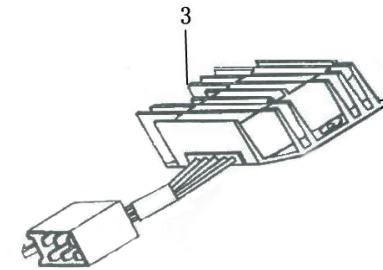
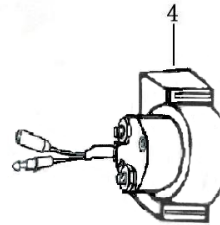
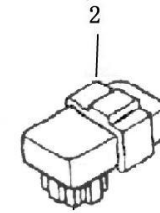
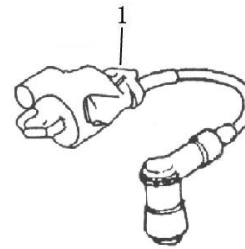


电启动机构
ELECTRIC STARTING MECHANISM

E11

ELECTRIC

NO.	PART CODE	DESCRIPTION
1	81100-1008-000050	IGNITION COIL
2	81200-ME05-0000	C.D.I
3	83100-1008-010020	RECTIFIER
4	82290-1049-000016	RELAY

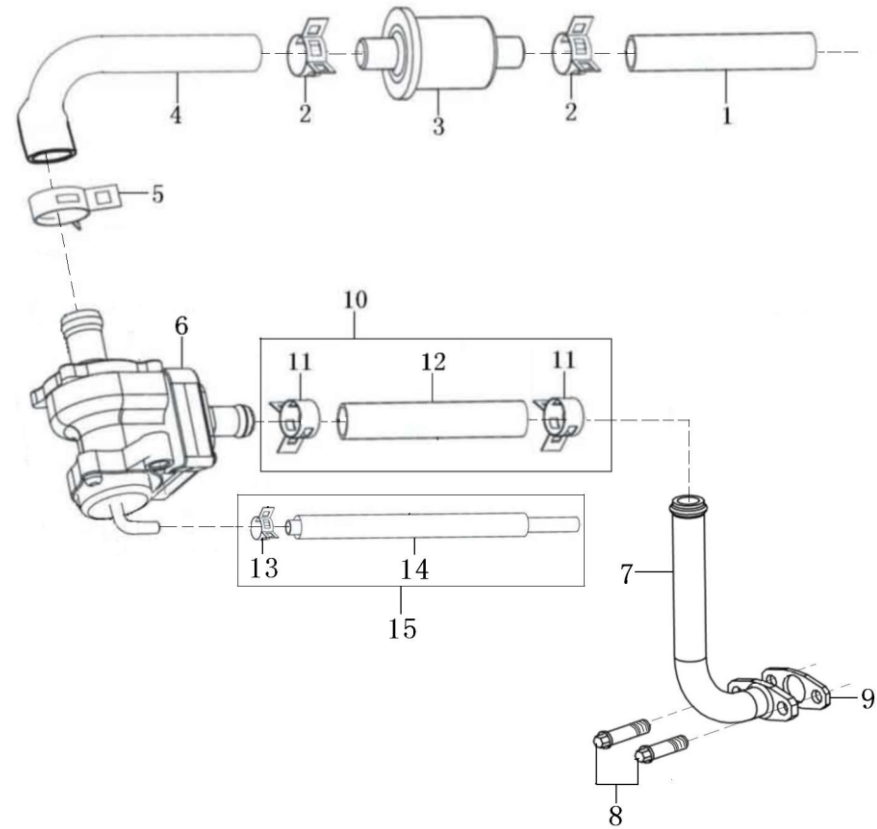


电器件 ELECTRIC

E12

EXHAUST GAS RECIRCULATION SYSTEM

NO.	PART CODE	DESCRIPTION
1	16156-1008-0100	CONNECTING PIPE
2	16157-1008-0000	HOOP
3	16160-1008-0000	SEC.AIR BOX VALVE
4	16156-1008-0000	CONNECTING PIPE
5	16157-1008-0100	HOOP
6	18090-J034-0001	GAS PUMP
7	1809B-LA66-00000Y	IRON PIPE
8	B166740A06001670X	BOLT M6×16
9	90268-DA80-0000	PAPER GASKET
10	18110-LA66-0000	RUBBER PIPE
11	18097-1008-0000	CLAMP
12	18092-LA66-0000	RUBBER PIPE
13	18097-1008-0100	CLAMP
14	18092-1008-0103	RUBBER PIPE
15	18110-1008-0103	RUBBER PIPE



废气再循环系统
EXHAUST GAS RECIRCULATION SYSTEM

E13