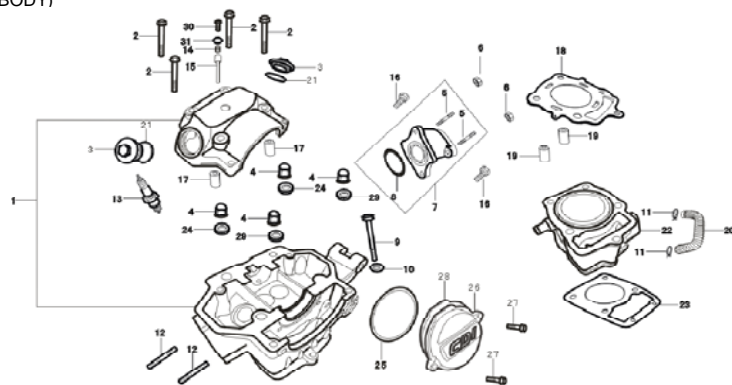
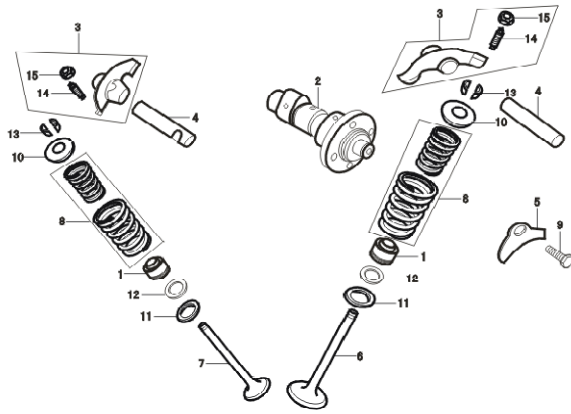


E-1 (CYLINDER HEAD/CYLINDER BODY)



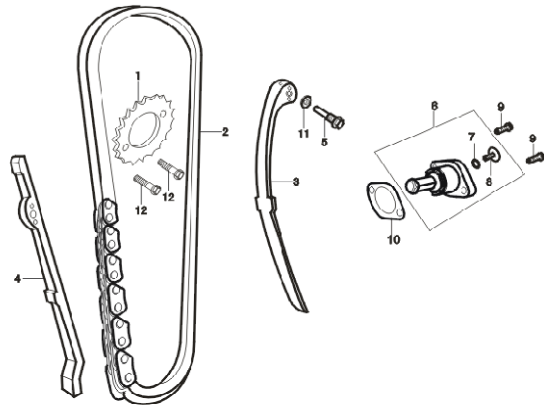
NO.	Part No.	Description	NO.	Part No.	Description
1	500260121	CYLINDER HEAD COVER	18	120150055	WASHER,CYLINDER COVER
2	380140030	BOLT	19	380600034	PIN
3	120280001	CAP VALVE	20	380760049	
4	380330020	NUT	21	380840067	O-RING
5	380180047	STUD	22	120020118	CYLINDER BODY COMP
6	380340011	WASHER	23	120050042	CYLINDER JASKET
7	180420305	INLET PIPE	24	380450427	WASHER
8	380840011	O-RING	25	380840119	O-RING
9	380140131	BOLT	26	120300004	CAP CDI
10	380450138	WASHER	27	380140002	BOLT
11	380960040	CYLINDER HEAD	28	120310002	WASHER,CYLINDER COVER
12	380180023	STUD	29	380450459	WASHER
13	270960001	SPARK PLUG	30	380140039	BOLT
14	381150311		31	380450021	WASHER
15	140110002	PIN			
16	380140015	BOLT			
17	380600034	PIN			

E-2 (CAMSHAFT/VALVE)



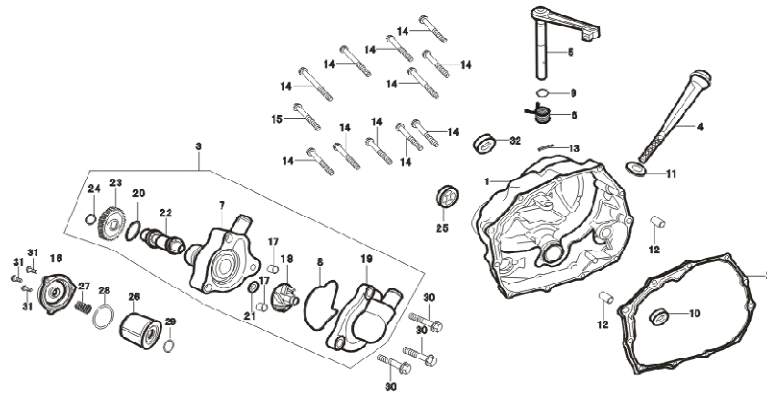
No.	Part No.	Description	No.	Part No.	Description
1	140400001	OIL SEAL,VALVE			
2	140020034	CAMSHAFT COMP			
3	140450004	CAM SHAFT COMP			
4	140510028	SHAFT,VALVE ROCKER ARM			
5	140530001	STOP PLATE, CAMSHAFT			
6	140300029	VALVE,IN			
7	140310029	VALVE,EX			
8	140330003	SPRING,VALVE OUTER			
9	380220022	BOLT			
10	140380004	SPRING SEAT VALVE			
11	140370001	OUTER,SPRING SEAT VALVE			
12	140360001	INNER,SPRING SEAT VALVE			
13	140390004	COTTER, VALVE			
14	140480003	VALVE BOLT			
15	140290002	VALVE BOLT			

E-3 (CAM CHAIN/TENSIONER)



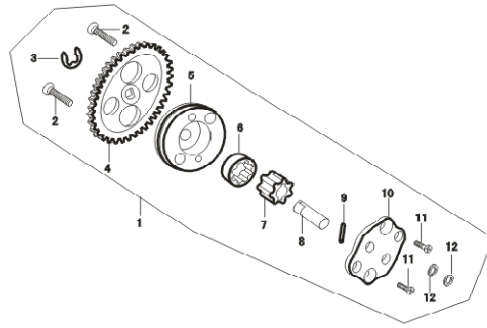
No.	Part No.	Description	No.	Part No.	Description
1	140580013	SPROCKET,CAM			
2	140610012	CHAIN,CAM			
3	140960016	SLIDER ASSY			
4	141000020	GUIDE			
5	141040001	PIN , DOWEL , ADJUSTING PLATE			
6	140750015	TENSIONER ASSY			
7	380840310	O-RING			
8	380270005				
9	380140002	BOLT			
10	140830004	WASHER			
11	380450056	WASHER			
12	380070009	BOLT			

E-4 RIGHT CRANKCASE COVER)



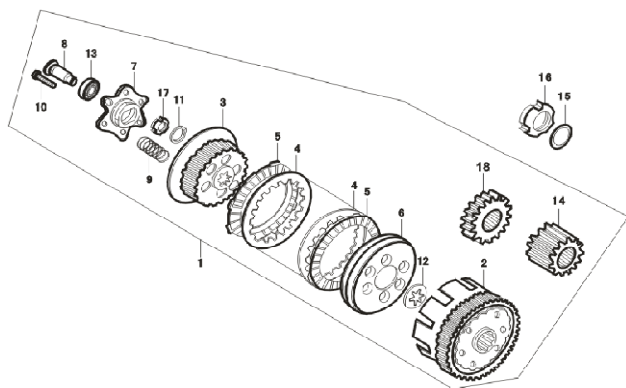
No.	Part No.	Description	No.	Part No.	Description
1	110600144	COVER COMP.,R.CRANKCASE	17	380600133	PIN
2	110620017	COVER COMP.,R.CRANKCASE	18	160490002	
3	160400001	WATER PUMP	19	160470005	
4	110700010	CAUGE,OIL LEVEL	20	380840352	
5	190810007	CLUTCH LEVER	21	380450087	
6	381160009	CLUTCH LEVER ASSY	22	160410009	
7	160460006	COVER	23	160450004	SPRING
8	380840512	GASKET	24	380540008	GEAR,WATER PUMP
9	380840083	O-RING	25	110630001	SIGHT GLASS, OIL
10	380650090	OIL SEAL	26	150350010	CLUTCH SEPERATING CAM
11	380840062	O-RING	27	381150166	
12	380600002	PIN	28	380840016	
13	191210001	PIN	29	380840231	
14	380140019	BOLT	30	380140128	BOLT
15	380140020	BOLT	31	380140015	BOLT
16	150360006				

E-5 (OIL PUMP/OIL FILTER COMP)



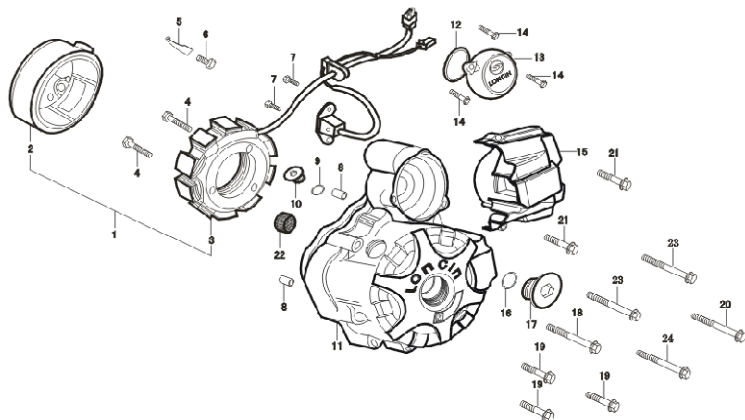
No.	Part No.	Description	No.	Part No.	Description
1	150010037	OIL PUMP ASSY			
2	380220027	SCREW			
3	380550011	CLIP			
4	150070001	DRIVE GEAR,OIL PUMP			
5	150020005	OIL PUMP CASE			
6	150060004	OUTER ROTOR,OIL PUMP			
7	150050005	INNER ROTOR,OIL PUMP			
8	150080005	SPINDLE,OILPUMP			
9	380600011	PIN			
10	150030001	COVER, OIL PUMP GEAR			
11	380220005	SCREW , M4x12			
12	380840014	O-RING9.4x2.4			

E-6 (CLUTCH)



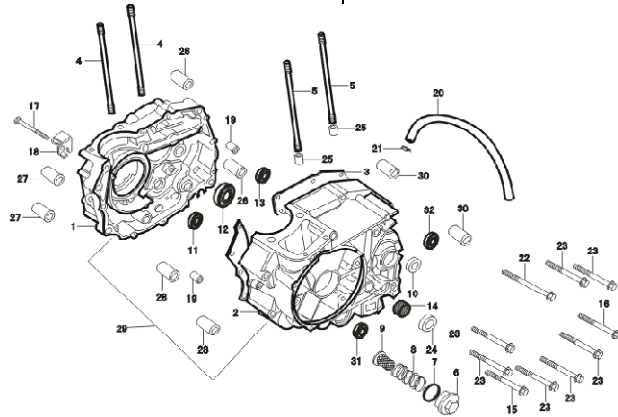
No.	Part No.	Description	No.	Part No.	Description
1	500280134	CLUTCH COMP	17	380810003	NUT
2	190330039	OUTER COMP, CLUTCH	18	150150019	SPROCKET,OIL PUMP
3	190400029	CENTER COMP,CLUTCH			
4	190400002	DISK,CLUTCH FRICTION			
5	190430001	PLATE,CLUTCH			
6	190470020	CLAMP PLATE			
7	190480005	LIFT PLATE			
8	190730018	TAPPET			
9	190550037	SPRING,CLUTCH			
10	380070048	BOLT			
11	380480004	WASHER			
12	380500001	SPLINE WASHER MAIN AXLE			
13	380630021	BEARING,CLUTCH COVER			
14	190030037	GEAR , PRIMARY DRIVE			
15	380480001	WASHER			
16	380810003	NUT			

E-7 (LCRANKCASE COVER/MAGNETO)



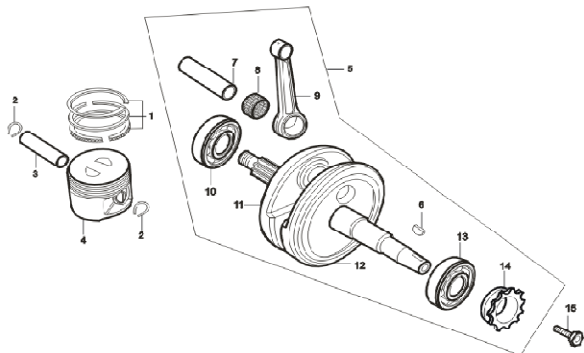
No.	Part No.	Description	No.	Part No.	Description
1	270010135	MAGNETO	23	380140020	BOLT
2	270020136	FLY WHEEL COMP	24	380140128	BOLT
3	270100084	STSTOR ASSY			
4	380140046	BOLT			
5	110480007	CABLE SLEEVE			
6	380070022	BOLT			
7	380200008	BOLT			
8	380600002	PIN			
9	380840026	WASHER			
10	110440001	SMALL CAP EYEHOLE			
11	110400075	L.CRANKCASE COVER			
12	380840004	O-RING			
13	110460007	SCREW COVER			
14	380140015	BOLT			
15	110520174	BACKCOVER L.CRANKCASE			
16	380840005	WASHER			
17	110430001	BIG CAP EYEHOLE			
18	380140068	BOLT			
19	380140143	BOLT			
20	380140031	BOLT			
21	380140017	BOLT			
22	380630035	NEEDLE BEARING			

E-8 (CRANKCASE)



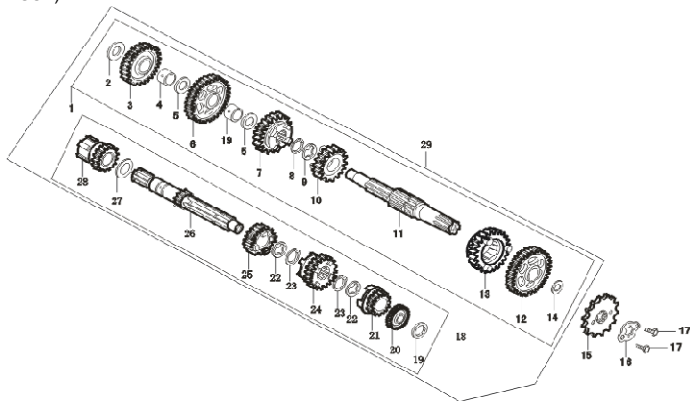
No.	Part No.	Description	No.	Part No.	Description
1	110080093	R.CRANKCASE ASSY	18	191230019	CLUTSH CABLE STAND
2	110030186	L.CRANKCASE ASSY	19	380600001	PIN
3	110100035	GASKET,CRANKCASE	20	380740003	BREATH PIPE
4	110250025	STUD (B)	21	380950004	CLAMP
5	110240031	STUD (A)	22	380140012	BOLT
6	120280001	SCREW COVER	23	380140020	BOLT
7	380840020	O-RING	24	380650083	OIL SEAL
8	381150014	SPRING,OIL FILTER ELEMENT	25	380600034	PIN
9	150290001	FILTER ELEMENT COMP	26	110290018	
10	380650004	OIL SEAL	27	110290021	
11	380630008	BEARING	28	110290022	
12	380630006	BEARING	29	500270171	
13	380630007	BEARING	30	110290020	
14	380630035	BEARING	31	380630004	BEARING
15	380140032	BOLT	32	380630005	BEARING
16	380140147	BOLT			
17	380140057	BOLT M6×60			

E-9 (CRANKSHAFT/PISTON)



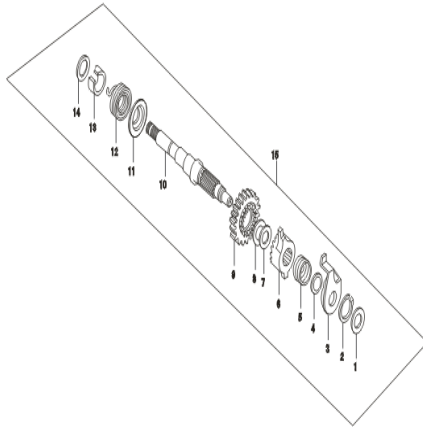
No.	Part No.	Description	No.	Part No.	Description
1	130070073	PISTON RING			
2	380560018	CIRCLIP,PISTON PIN			
3	130060010	PISTON PIN			
4	130030073	PISTON			
5	130140074	CRANKSHAFT PISTON CONNETING ROD COMP			
6	380620001	SEMI CIRCLAR KEY			
7		PIN,CRANK			
8		NEEDLE BEARING,CONNECTING ROD			
9		ROD,CONNECTING			
10		BEARING,RADIAL BALL			
11		CRANKSHAFT COMP,R			
12		CRANKSHAFT,L			
13		BEARING,RADIAL BALL			
14		SPROCKET,TIMING			
15	380140041	BOLT			

E-10 (MAINSHAFT/COUNTERSHAFT ASSY)



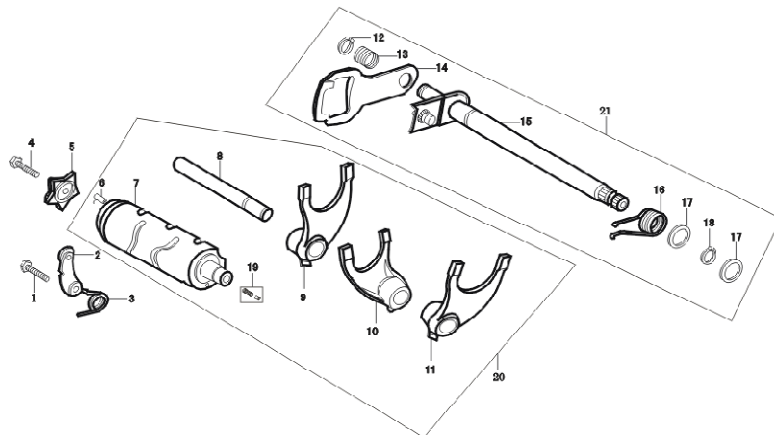
No.	Part No.	Description	No.	Part No.	Description
1	191390082	COUNTERSHAFT ASSY	16	191610001	FIXTURE PLATE
2	380540005	CIRCLIP	17	380070009	BOLT
3	191560010	STARTING IDLE GEAR	18	191250059	MAINSHAFT, TRANSMISSION ASSY
4	380820024	BUSH , STARTING IDLE GEAR	19	380540003	CIRCLIP
5	380540006	THRUST WASHER	20	191280023	DRIVING GEAR , 2ND
6	191420027	DRIVN GEAR , 1ST	21	191330011	DRIVING GEAR , 5TH
7	191460025	DRIVEN GEAR , 3RD	22	380500002	CIRCLIP , GEARSHIFT PLATE
8	380550010	WASHER	23	380550010	CIRCLIP
9	380500002	WASHER	24	191300019	DRIVING GEAR , 4TH
10	191480023	DRIVEN GEAR , 4TH	25	191290024	DRIVING GEAR , 3RD
11	191400061	SPLINED CLAMP	26	191260031	MAINSHAFT, TRANSMISSION
12	191440024	DRIVEN GEAR , 2TH	27	380540004	CIRCLIP
13	191500012	DRIVEN GEAR , 5TH	28	191350009	STARTING GEAR COMP
14	380540007	WASHER	29	500290084	TRANSMISSION ASSY.
15	191600001	DRIVING SPROCKET			

E-11 (SPINDLE, KICK STARTER)



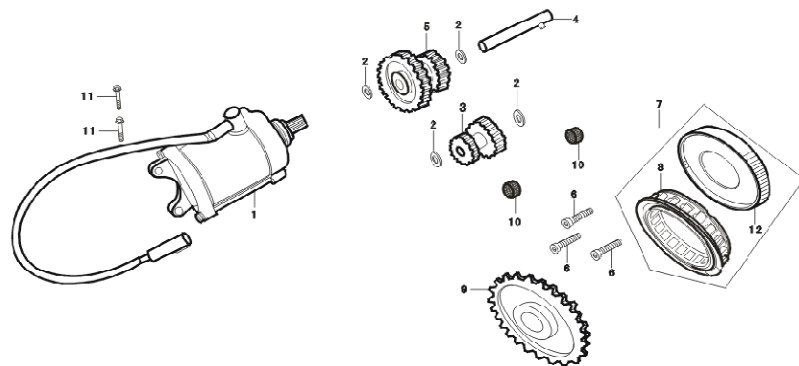
No.	Part No.	Description	No.	Part No.	Description
1	380540012	WASHER			
2	380550031	CIRCLIP			
3	193400001	RATCHET GUIDE PLATE			
4	380540013	WASHER			
5	193350001	SPRING.SPINDLE,KICK STARTER			
6	193330001	RATCHET,STARTER DRIVE			
7	380550039	CIRCLIP			
8	380540004	THRUST WASHER			
9	193320022	STARTING GEAR			
10	193310013	SPINDLE,KICK STARTER			
11	193470005	SPRING SEAT			
12	193340007	SPRING , KICK STARTER			
13	380820024	SPRING BVSHING			
14	380540015	WASHER			
15	193300046	SPINDLE,KICK STARTER			

E-12 (GEARSHIFT DRUM)



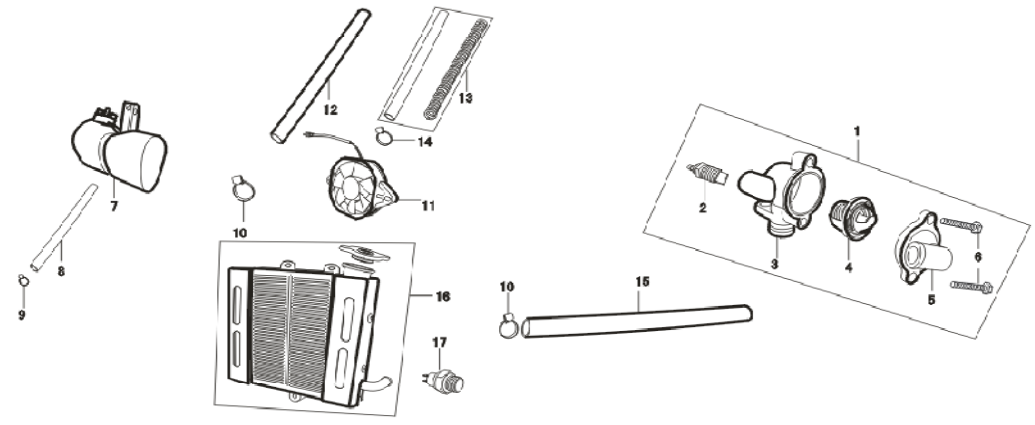
No.	Part No.	Description	No.	Part No.	Description
1	380070015	BOLT,M6×22	13	380050006	RUTURN SPRING , GEAR SHIFT
2	192190002	STOPPER LEVER	14	192370002	GEAR CHANGE PLATE
3	381160003	THRUST SPRING	15	192330019	GEAR SHIFT
4	380070014	BOLT , M6×25	16	381160004	SPRING , GEAR CHANGE PLATE
5	192100002	SHIFT CAM	17	380540008	PUSH WASHER
6	380600003	PIN , B4×10	18	380550008	CIRCLIP
7	192080002	SHIFT DRUM	19	193990001	
8	192130001	FORK , 3	20	192060002	DRUM COMP,GEARSHIFT
9	192120003	FORK , 2	21	192320074	ARM COMP.GEARSHIFT
10	192120002	FORK , 1			
11	192120001	FORK SHAFT			
12	380550007	CIRCLIP 12			

E-13 (STARTING MOTOR)



No	Part No.	Description	No	Part No.	Description
1	270350037	STARTING MOTOR			
2	380540011	GEAR,STARTING IDLE,BIG			
3	193200011	GEAR,STARTING IDLE,SMALL			
4	193230003	SHAFT			
5	193190003	O-RING			
6	380190005	SCREW			
7	193090023	HOUSING , STARTING CLUTCH			
8		SIDE COVER , STARTING CLUTCH			
9	193240026	STARTING CLUTCH ASSY			
10	380630035	NEEDLE BEARING			
11	380140015	BOLT			
12					

E-14 (WATER COOLER)



No.	Part No.	Description	No.	Part No.	Description
1	160110004-0001				
2	160150002-0001	WATER TEMPERATURE SENSOR			
3	160120001-0001	WATER TEMPERATURE CRUST ASSY			
4	160110001-0001	BODY,WATER TEMPERATURE			
5	160130003-0001	REAR LID,WATER TEMPERATURE			
6	380140023-0001	BOLT			
7	160320001-0001				
8	380760034-0001	PIPE			
9	380970023-0002	COLLAR			
10	380960040-0001	COLLAR			
11	160280016-0001	FAN			
12	380760015-0001	WATER PIPE			
13	380760028-0001	WATER PIPE			
14	380950081-0002	COLLAR			
15	380760014-0001	RISING PIPE,WATER PUMP			
16	160010013-0001	WATER COOLER			
17	160100002-0001	FAN THERMOSTIC SWITCH			