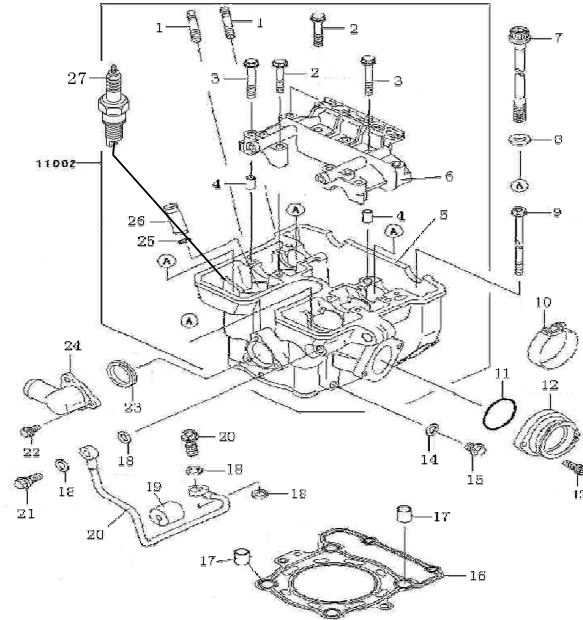
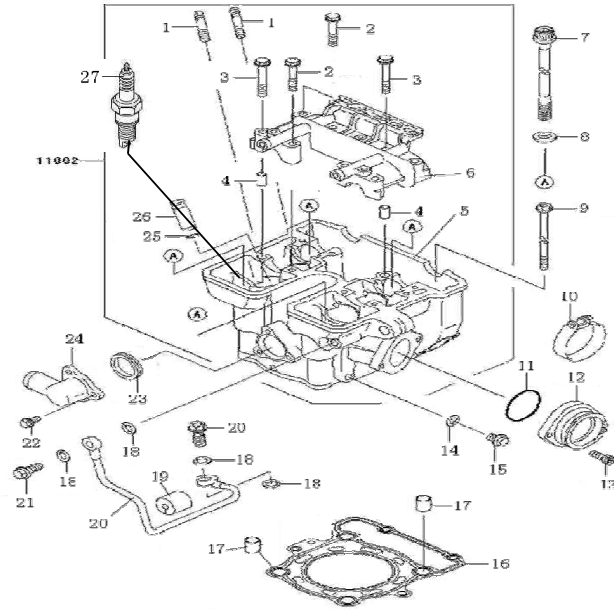


### E1 ( Cylinder Head Parts )



S/N	Part No.	Name	Condition	Quantity
1	380180023-0004	double-Bolt	M8_L=28	2
2	380140019-0002	Bolt	M6_L=40	6
3	380140128-0004	Bolt	M6_L=45	2
4	380600002-0001	Dowel Pin	d=8_L=14	2
5	120080347-0004	Cylinder Head		1
6	141320003-0001	Supporting Bracket		1
7	380190120-0001	Torx Bolt	M10_L=165	4
8	380450779-0001	Washer	Φ10×Φ18×2	4
9	380140448-0001	Bolt	M6_L=135	2
10	380960097-0001	Intake Manifold Clamp		1
11	380840554-0001	O-Ring	φ43×φ2.3	1
12	180420430-0001	Intake Manifold		1
13	380200015-0001	Bolt	M6_L=16	2

### E1 ( Cylinder Head Parts )

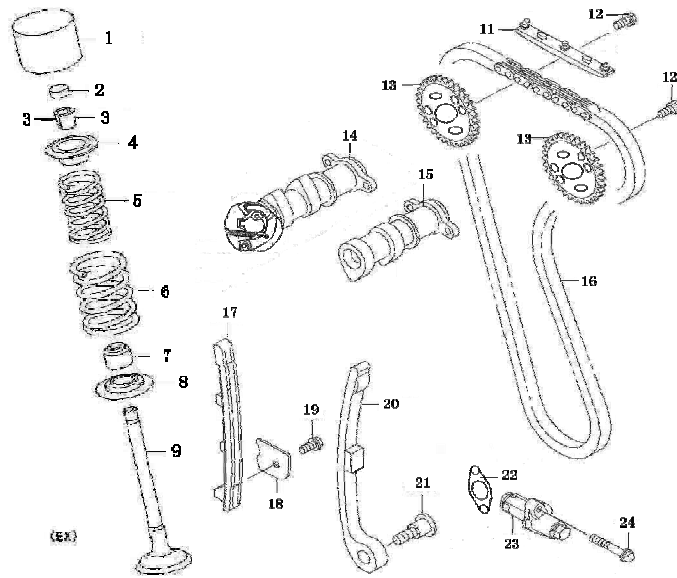


S/N	Part No.	English name	Condition	Quantity
14	380450048-0001	Washer	φ6×φ12×1.2	1
15	380140168-0001	Bolt	M6 L=10	1
16	120150114-0001	Cylinder Head Gasket		1
17	380600059-0001	Dowel Pin	d=12 L=15	2
18	380450101-0001	Washer	φ8×φ14×1	4
19	150210003-0001	Tube Bearing		1
20	380750262-0001	Oil Tube		1
21	380140428-0002	Bolt	M8 L=20	2
22	380140002-0001	Bolt	M6 L=16	2
23	380840555-0001	O-Ring	φ25×φ32.5×4.5	1
24	380780056-0004	Tube tie-in		1
25	120140008-0001	Guide Ring		4
26	120120024-0001	Guide, Intake Valve		4
27	270960035-0001	Spark plug		1



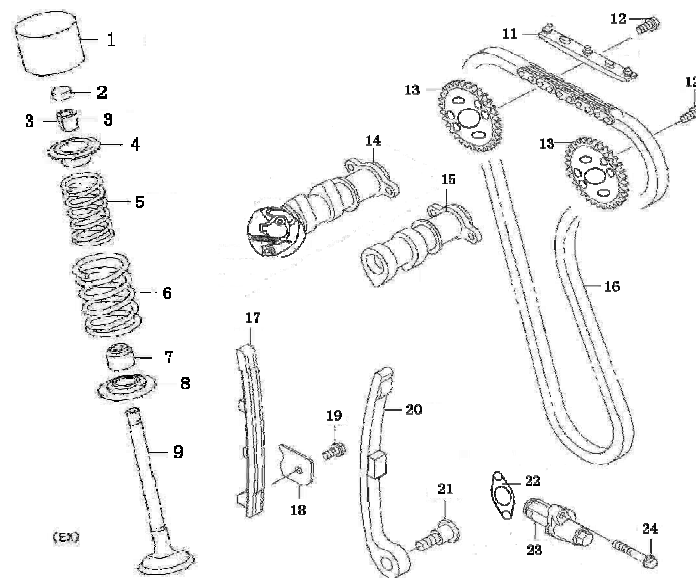


E-4 (Valve Train)



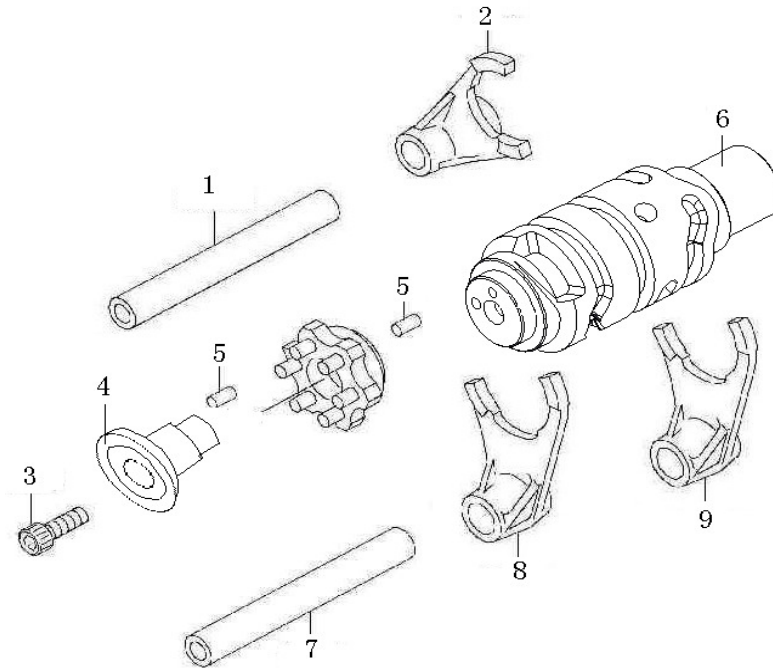
S/N	Part No.	Name	Condition	Quantity
1	140690016-0001	Lifter		4
2	141310002-0001	Valve Adjust Spacer		4
3	140390019-0001	Valve Collet		8
4	140380029-0001	Valve Spring Plate		4
5	140340036-0001	Inner Spring		4
6	140350015-001	Outer Spring		4
7	140400018-0001	Valve Oil Ring		4
8	140360013-0001	Valve Spring Seat		4
9	140310050-0001	Exhaust Valve		2
10	140300050-0001	Intake Valve		2
11	140600003-0001	platen, Timing Chain		1
12	380070141-0001	Bolt	M6 L=10	4
13	140580027-0001	Timing Camshaft Sprocket		2
14	140030049-0001	Camshaft		1

E-4 (Valve Train)



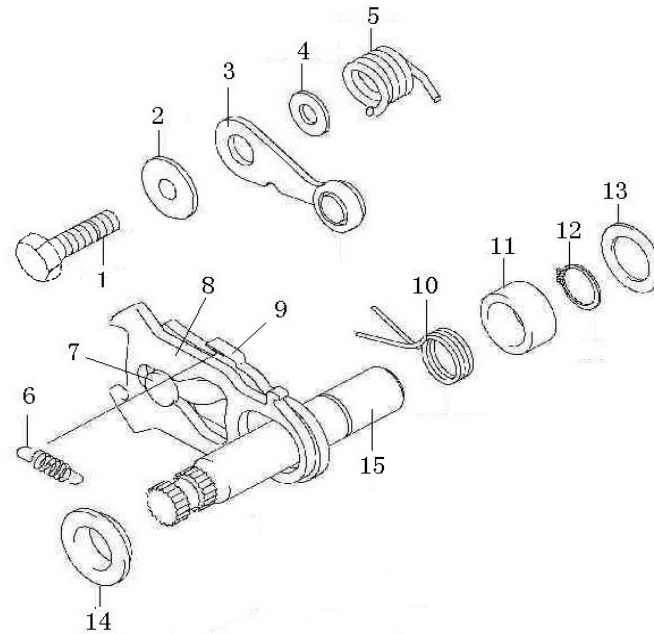
S/N	Part No.	Name	Condition	Quantity
15	140030039-0001	Camshaft		1
16	140610032-0001	Timing Chain		1
17	141000024-0001	Guide Rail		1
18	141510001-0001	platen,Guide Rail		1
19	380140002-0001	Bolt	M6 L=16	1
20	140960019-0001	Bow		1
21	141040007-0001	forelock,Bow		1
22	140830016-0001	Tensioner Gasket		1
23	141420001-0001	Tensioner Assembly		1
24	380140015-0001	Bolt	M6 L=20	2

E-5 (Varibale Unit)



S/N	Part No.	Name	Condition	Quantity
1	192310014-0001	Fork ShaftI	φ12×71	1
2	192120042-0001	Fork I		1
3	380190071-0002	Bolt	M6 L=35	1
4	273130001-0001	Touch Board		1
5	380600139-0001	Pin	φ4×8	2
6	192080052-0001	Shaft Drum		1
7	192130015-0001	Fork ShaftIII	φ12×106	1
8	192120043-0001	Fork II		1
9	192120041-0001	Fork III		1

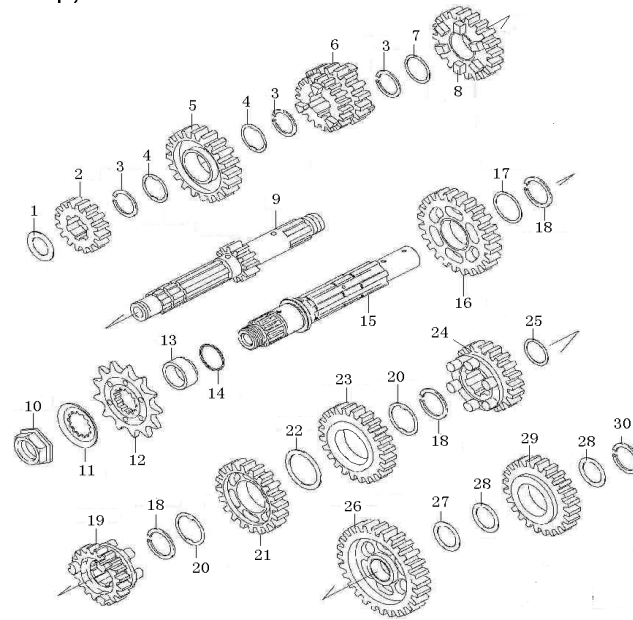
E-6 (Gear Shifting)



S/N	Part No.	Name	Condition	Quantity
1	380070022-0004	Bolt	M6 L=12	1
2	380821837-0001	Sleeve		1
3	192200014-0001	Stopper		1
4	380450142-0001	Washer	$\Phi 6 \times \Phi 13 \times 1$	1
5	381160106-0001	Spring		1
6	381140401-0001	Spring		1
7	192360009-0001	Gear Change Limit Pin		1
8	192370009-0001	Gear Change Plate		1
9	192350011-0001	Gear Change Limit Plate		1
10	381160107-0001	Spring		1
11	380821813-0001	Sleeve		1
12	380550021-0001	Circlip	d=13	1
13	380450626-0001	Washer	$\Phi 13 \times \Phi 20 \times 0.5$	1
14	380821816-0001	Sleeve		1
15	192340038-0001	Gear Shift		1

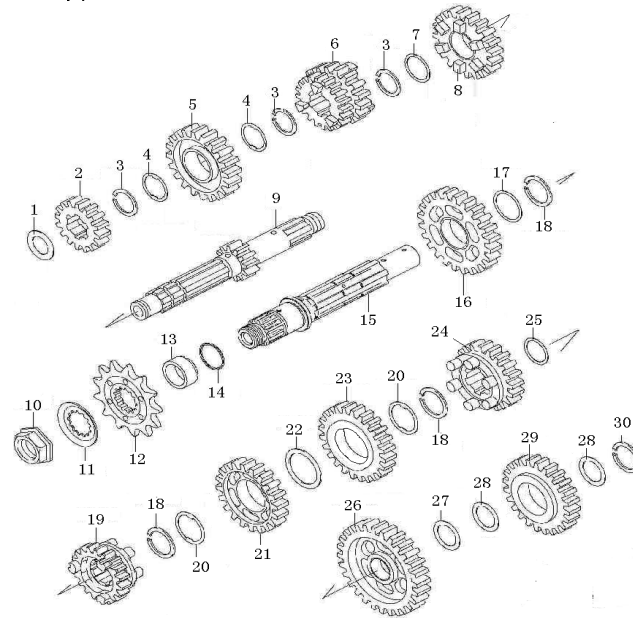


### E-7 (Transmission Shaft Comp)



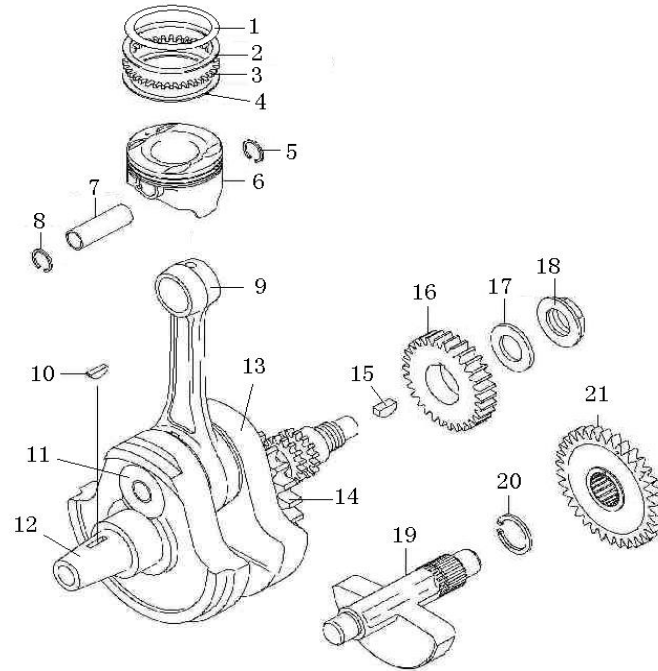
S/N	Part No.	Name	Condition	Quantity
1	380540066-0001	Thrust	$\Phi 17.3 \times \Phi 28 \times 1.0$	1
2	191280024-0001	2th Gear , Main shaft		1
3	380500021-0001	Washer		3
4	380550045-0001	Washer	$\Phi 22 \times 1.2$	2
5	191340001-0001	6th Gear , Main shaft		1
6	191290025-0001	3th Gear , Main shaft		1
7	380540111-0001	Thrust	$\phi 22 \times \phi 27 \times 0.5$	1
8	191330013-0001	5th Gear , Main shaft		1
9	191260039-0001	Main shaft		1
10	191630003-0002	Nut	M20×1.5	1
11	191640003-0001	Washer		1
12	191600046-0001	Driving Sprocket		1
13	380821812-0001	Bush	$\phi 25 \times \phi 32 \times 15$	1
14	380840566-0001	O-Ring	$\phi 23 \times 1.3$	1
15	191400059-0001	Countershaft		1

### E-7 (Transmission Shaft Comp)



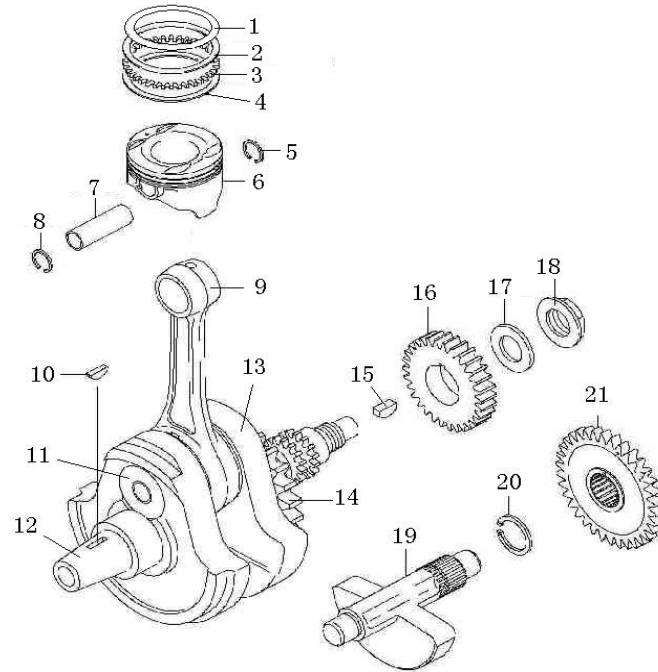
S/N	Part No.	Name	Condition	Quantity
16	191430004-0001	2th Gear.Countershaft		1
17	380540112-0001	Thrust	$\phi 25 \times \phi 31 \times 0.5$	1
18	380550078-0001	Washer	$\phi 25 \times 1.2$	3
19	191520001-0001	6th Gear.Countershaft		1
20	380500031-0001	Washer	$\phi 25 \times \phi 30 \times 0.5$	2
21	191460028-0001	3th Gear.Countershaft		1
22	380540113-0001	Thrust	$\phi 25 \times \phi 38 \times 1$	1
23	191480027-0001	4th Gear.Countershaft		1
24	191500014-0001	5th Gear.Countershaft		1
25	380540004-0001	Thrust	$\phi 25 \times \phi 27 \times 0.5$	1
26	191410005-0001	1th Gear.Countershaft		1
27	380540044-0001	Thrust	$\phi 21 \times \phi 28 \times 1$	1
28	380450628-0001	Washer	$\phi 20 \times \phi 28 \times 0.8$	2
29	191560011-0001	Starting Gear . Countershaft		1
30	380550014-0001	Washer	d=20	1

### E-8 (Crankshaft Comp )



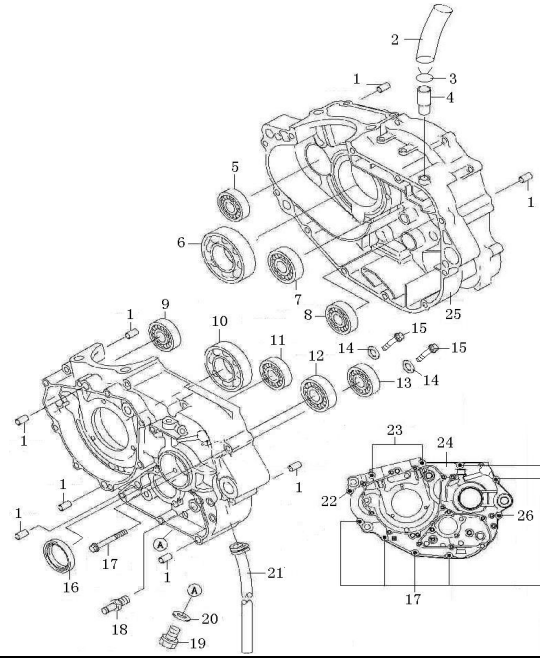
S/N	Part No.	Name	Condition	Quantity
1	130080045-0001	Piston Ring 1		1
2	130090045-0001	Piston Ring 2		1
3	130120033-0001	Line Ring		1
4	130130033-0001	shaving Ring		2
5	380560068-0001	Circlip Piston Pin	$\phi 19 \times \phi 1.2$	1
6	130030110-0001	Piston		1
7	130060048-0001	Piston Pin	$\phi 9 \times \phi 17 \times 58$	1
8	380560068-0001	Circlip Piston Pin	$\phi 19 \times \phi 1.2$	1
9	130150061-0001	Rod Connecting		1
10	380620009-0001	Key		1
11	130350026-0001	Pin Crank	$\phi 12 \times \phi 32 \times 58$	1
12	130210057-0001	L Crankshaft		1

E-8 ( Crankshaft Comp )



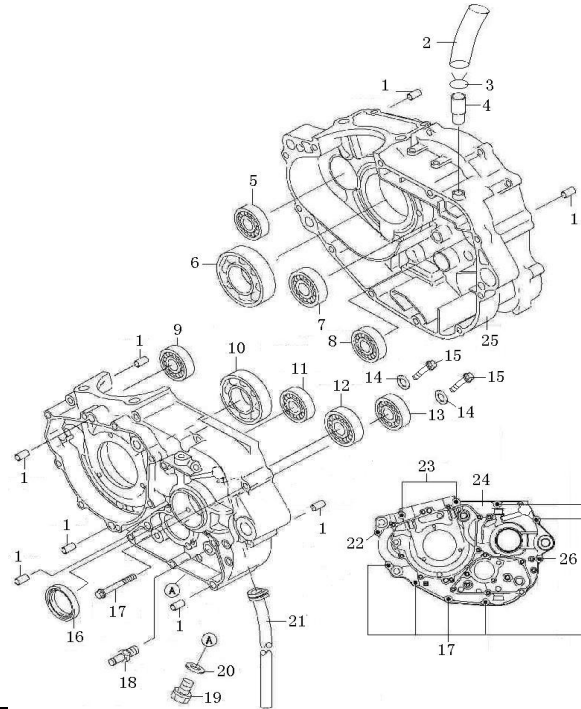
S/N	Part No.	Name	Condition	Quantity
13	130260065-0001	R Crangshaft		1
14	130460008-0001	Driven Gear Balancer Shaft		1
15	380620004-0001	Key		1
16	190030036-0001	Gear Primary Clive		1
17	380480001-0001	Washer	$\phi 16 \times \phi 27 \times 2$	1
18	380810003-0001	Nut	M16	1
19	130450014-0001	Shaft Balancer		1
20	380550034-0001	Circlip	d=15_S=1	1
21	130470005-0001	Gear Balancer Shaft		1

### E-9 ( Crankcase Comp )



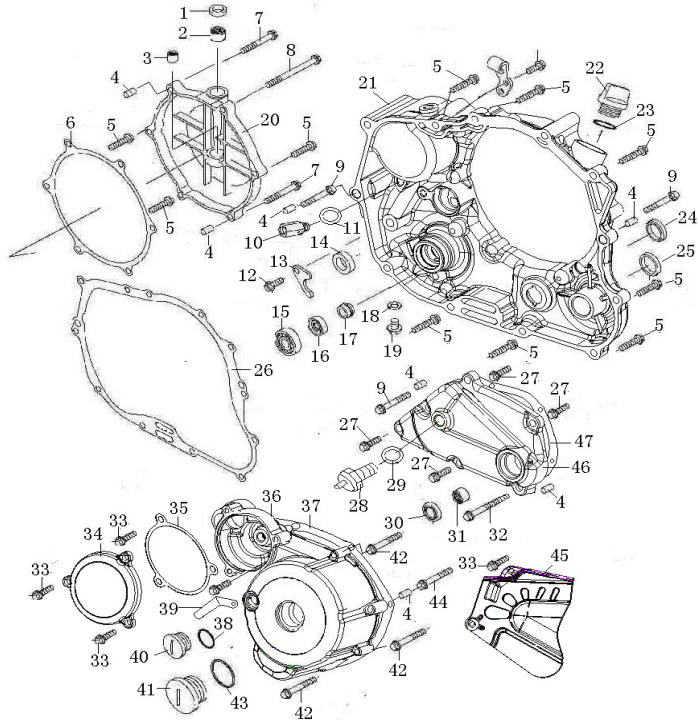
S/N	Part No.	Name	Condition	Quantity
1	380600002-0001	Pin	d=8 L=14	8
2	380740003-0001	Pipe aerate		1
3	380950004-0001	Pipe Nip		1
4	380780001-0001	Terminal Breather Hose		1
5	380630017-0001	Ball Bearing	GB/T276 6302 15×42×13	1
6	380630075-0001	Ball Bearing	GB/T276 6306 30×72×19	1
7	380630005-0001	Ball Bearing	GB/T276 6204 20×47×14	1
8	380630100-0001	Ball Bearing	GB/T276 6004 20×42×12	1
9	380630017-0001	Ball Bearing	GB/T276 6302 15×42×13	1
10	380630141-0001	Ball Bearing	GB/T276 6207 35×72×17	1
11	380630002-0001	Ball Bearing	GB/T276 6203 17×40×12	1
12	380630201-0001	Ball Bearing	GB/T276 6205-RS 25×52×15	1
13	380630215-0001	Ball Bearing	GB/T276 6905 25×42×9	1

### E-9 ( Crankcase Comp )



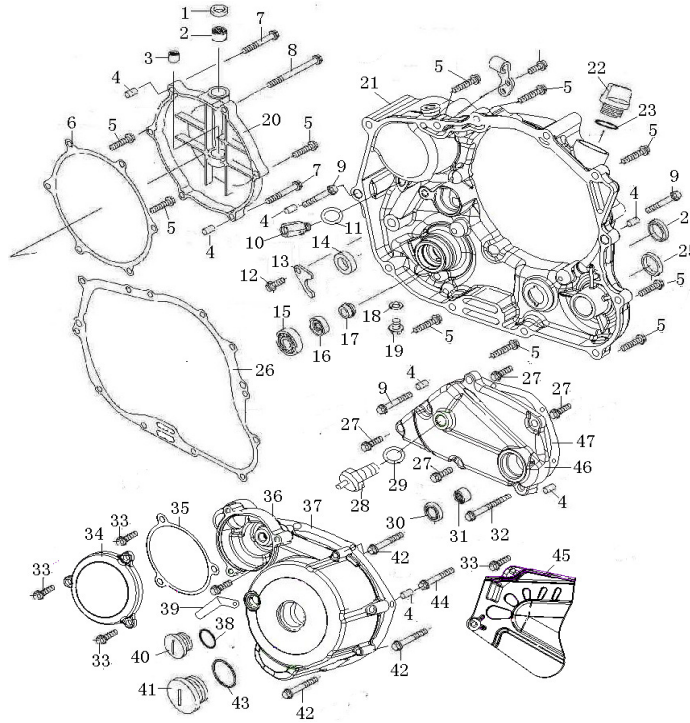
S/N	Part No.	Name	Condition	Quantity
14	380450278-0001	Washer	φ6×φ14×1	2
15	380140129-0002	Bolt	M6×14	2
16	380650388-0001	Oil Seal	φ32×φ45×7	1
17	380140020-0002	Bolt	M6 L=50	6
18	192310005-0001	Bolt	M10*1.25	1
19	110260003-0002	Plug Oil Drain	M12×1.5	1
20	380450018-0003	Washer	φ12×φ20×2	1
21	380750261-0001	Oil Pipe	φ11×φ14×188	1
22	380140030-0003	Bolt	M6 L=35	1
23	380140147-0003	Bolt	M6 L=70	2
24	110030179-0001	L Crankcase		1
25	110080107-0001	R Crankcase		1
26	380140032-0001	Bolt	M6 L=60	1

### E-10 ( Crankcase Cover )



S/N	Part No.	Name	Condition	Quantity
1	380650098-0001	Oil Seal	φ12×φ18×5	1
2	380630045-0001	Ball Bearing	HK121610	1
3	380630254-0001	Ball Bearing	HK081210	1
4	380600002-0001	Pin	d=8 L=14	8
5	380140016-0001	Bolt	M6×25	10
6	111030001-0001	Gasket		1
7	380140143-0001	Bolt	M6×30	2
8	380140147-0003	Bolt	M6×70	1
9	380140030-0003	Bolt	M6×35	3
10	150600004-0001	Oil Control Parts	M12×1.25	1
11	380450684-0001	Washer	φ12×φ17×1	1
12	380140168-0001	Bolt	M6×10	1

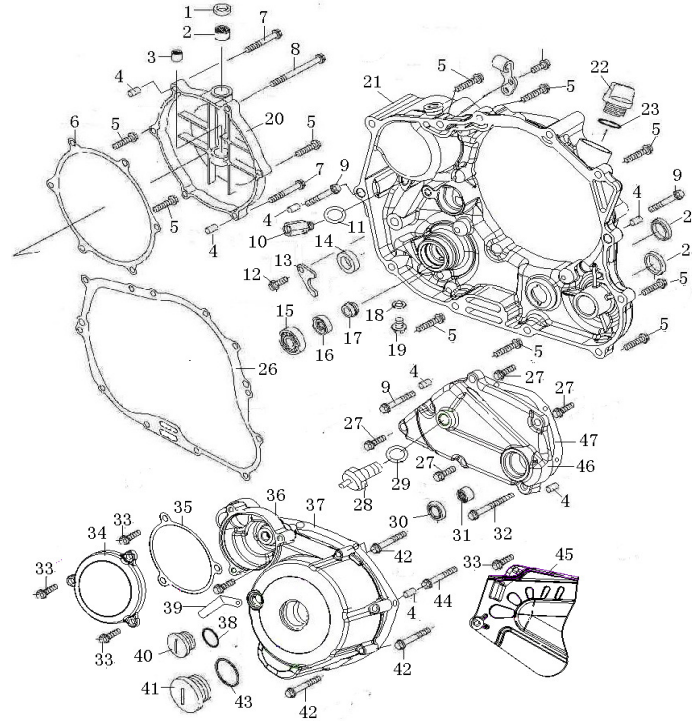
## E-10 ( Crankcase Cover )



S/N	Part No.	Name	Condition	Quantity
13	130320005-0001	Baffle, Oil Seal		1
14	380650391-0001	Oil Seal	$\phi 12 \times \phi 25 \times 7$	1
15	380630276-0001	Ball Bearing	$\phi 12 \times \phi 24 \times 6$	1
16	380650038-0001	Oil Seal	$\phi 12 \times \phi 22 \times 5$	1
17	380650086-0001	Oil Seal	$\phi 10 \times \phi 26 \times 7$	1
18	380450048-0001	Washer	$\phi 6 \times \phi 12 \times 1.2$	1
19	380140168-0001	Bolt	M6×10	1
20	111020001-0001	Cover, Clutch Assey		1
21	110600291-0001	R-Crankcase Cover		1
22	110700013-0001	Plug Oil Filler		1
23	380840121-0001	O-Ring	$\phi 16.8 \times \phi 3.1$	1
24	110630001-0001	Sight Glass, Oil		1

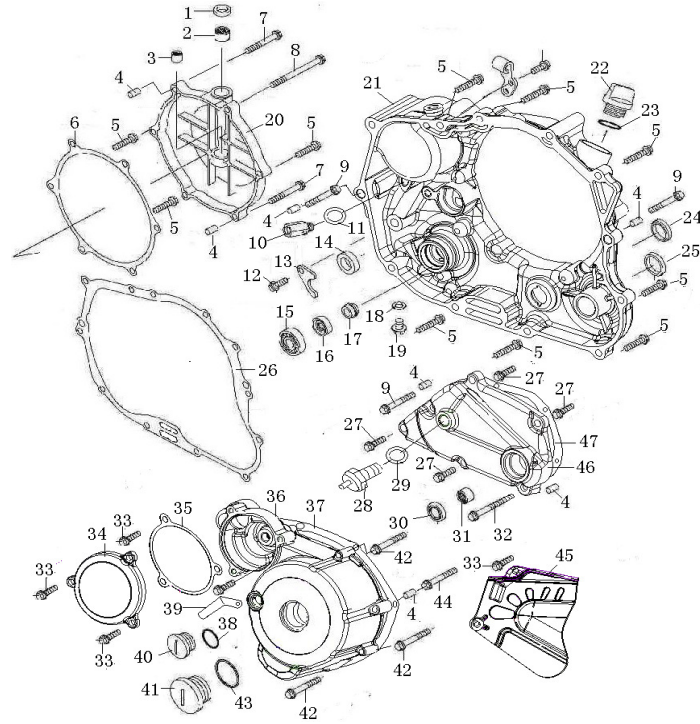


### E-10 ( Crankcase Cover )



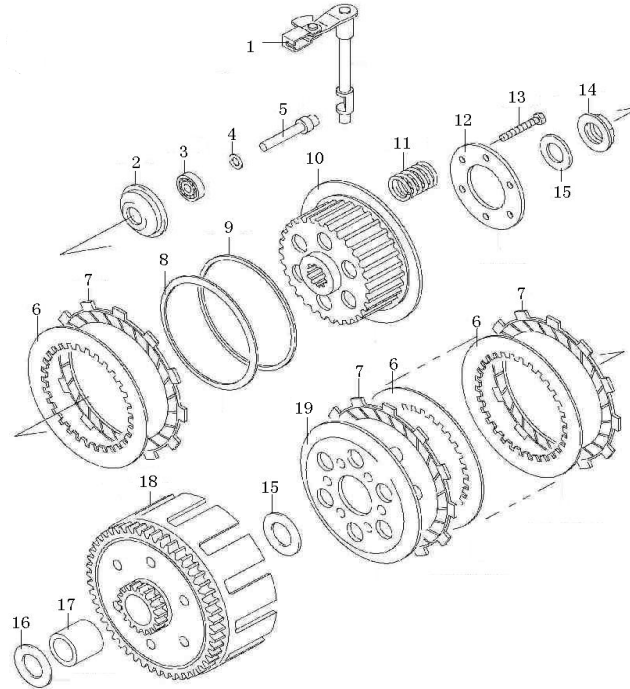
S/N	Part No.	Name	Condition	Quantity
25	380650390-0001	Oil Seal	φ18×φ29×7	1
26	110620047-0001	Gasket		1
27	380140015-0001	Bolt	M6×20	4
28	272500004-0001	vacant Switch		1
29	380450089-0001	Washer	φ10×φ16×1	1
30	380650389-0001	Oil Seal	φ13×φ22×5	1
31	380630287-0001	Ball Bearing	HK131912	1
32	380140130-0001	Bolt	M6×85	1
33	380140015-0001	Bolt	M6×20	4
34	110460013-0001	Cover Gear Box		1
35	110470003-0001	Gasket		1
36	110400139-0001	L-Crankcase Cover		1

### E-10 ( Crankcase Cover )



S/N	Part No.	Name	Condition	Quantity
37	110420029-0001	Gasket		1
38	380840026-0001	O-Ring	$\phi 13.8 \times \phi 2.5$	1
39	380940053-0001	Line Nip		1
40	110440001-0001	Screw Cover		1
41	110430001-0001	L Adorn Cover	M30×1.5	1
42	380140019-0003	Bolt	M6×40	4
43	380840005-0001	O-Ring	$\phi 27.4 \times \phi 2.4$	1
44	380140128-0001	Bolt	M6×45	3
45	110520396-0001	Backcover L Crankcase		1
46	111000001-0001	Derailleur Cover		1
47	111010001-0001	Gasket		1

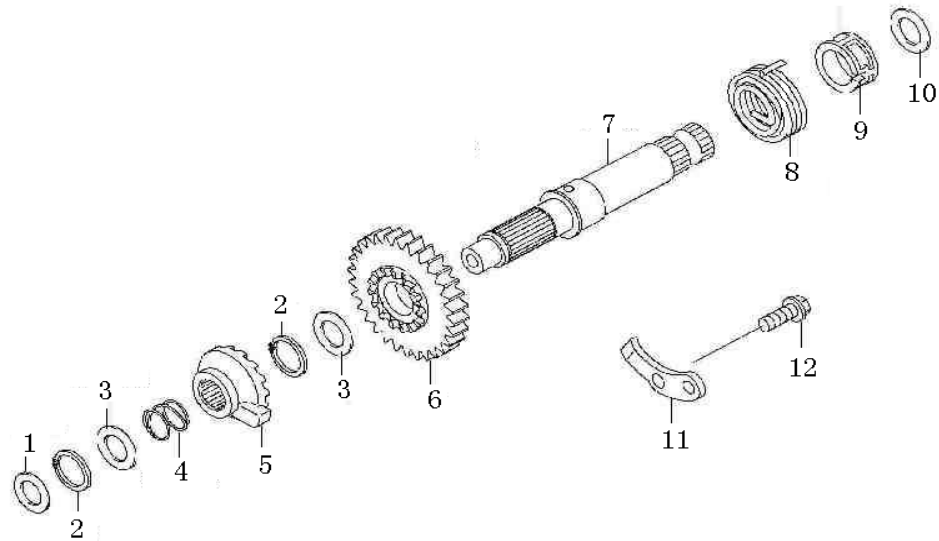
E-11 ( Clutch Comp )



S/N	Part No.	Name	Condition	Quantity
1	190810038-0001	Clutch Lever		1
2	195570001-0001	push tray		1
3	380630288-0001	Ball Bearing	φ7×φ22×7	1
4	380450086-0001	Washer	φ8×φ14×1	1
5	190730021-0001	Asle Sleeve Separating		1
6	190460026-0001	Friction Plate, Driven		6
7	190430032-0001	Friction Plate, Drive		7
8	380480021-0001	Washer	φ92×φ98×0.6	1
9	380450621-0001	Washer	φ92×φ98×1.2	1
10	190400027-0001	Center Piece		1
11	190550035-0001	Spring		6
12	190480016-0001	Clamp Plate		1
13	380140425-0001	Bolt	M5×30	6

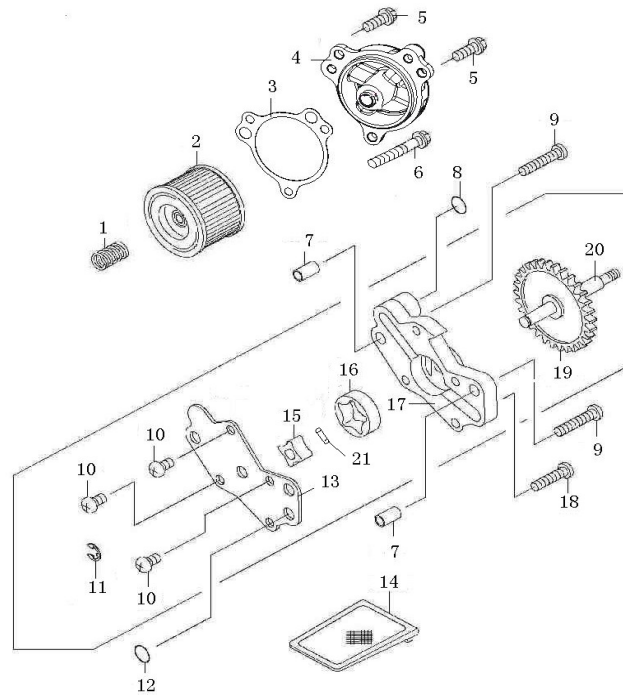


E-12



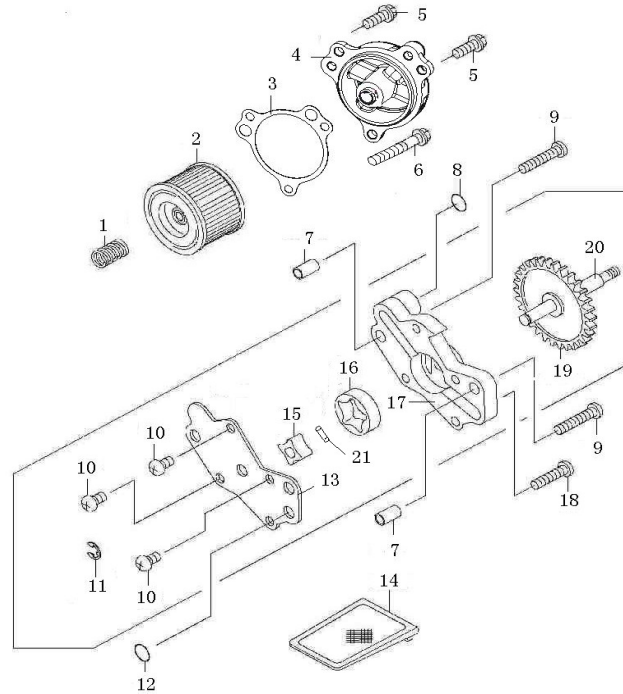
S/N	Part No.	Name	Condition	Quantity
1	380450626-0001	Washer	$\phi 13 \times \phi 20 \times 0.5$	1
2	380550031-0001	Circlip	$\phi 16$	2
3	380450625-0001	Washer	$\phi 16.8 \times \phi 22 \times 0.5$	2
4	193350013-0001	Spring		1
5	193330013-0001	Ratchet, Starter Drive		1
6	193320020-0001	Starting Gear		1
7	193310028-0001	Spindle Kick Starter		1
8	193340024-0001	Return Spring Startor		1
9	380821836-0001	Bush		1
10	380450627-0001	Washer		1
11	193400007-0001	Ratchet, Guide Plate		1
12	380140002-0001	Bolt	M6 L=16	1

E-13 ( lubrication )



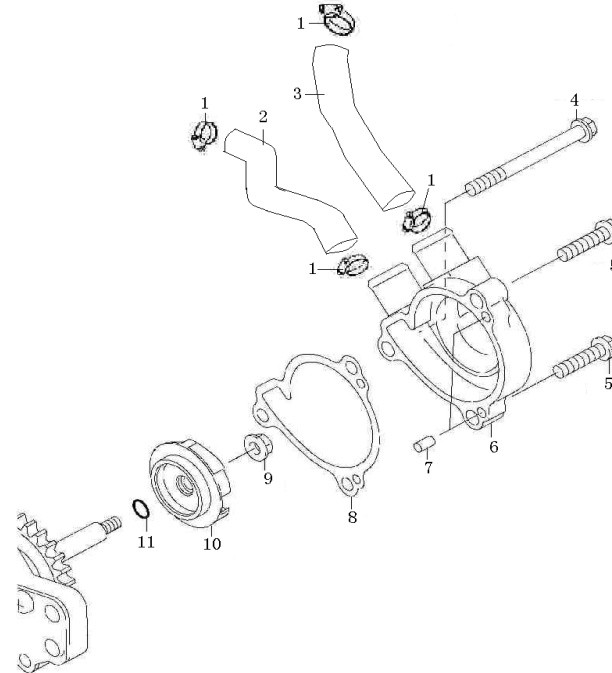
S/N	Part No.	Name	Condition	Quantity
1	381150379-0001	Spring		1
2	150350021-0001	Oil Filter Assv		1
3	150540008-0001	Gasket		1
4	150360016-0001	Cover.Oil Filter		1
5	380140002-0001	Bolt	M6 L=16	2
6	380140059-0001	Bolt	M6×80	1
7	380600002-0001	Pin	ø8×14	2
8	380840559-0001	O-Ring	ø6.5×ø13×3.3	1
9	380200024-0002	Bolt		2
10	380200001-0001	Bolt		3
11	380570001-0001	Circlip		1
12	380840560-0001	O-Ring		1
13	150040021-0001	Cover.Oil Pump		1

E-13 ( lubrication )



S/N	Part No.	Name	Condition	Quantity
14	150290017-0001	Filter		1
15	150050024-0001	Rotor, inner, oil pump		1
16	150060023-0001	Rotor, outer, oil pump		1
17	150020021-0001	Oil Pump . Body		1
18	380200064-0002	Bolt		1
19	150150018-0001	Gear , Oil Pump		1
20	150080027-0001	Shaft Oil Pump		1
21	380600146-0001	Pin	φ2.5×12	1

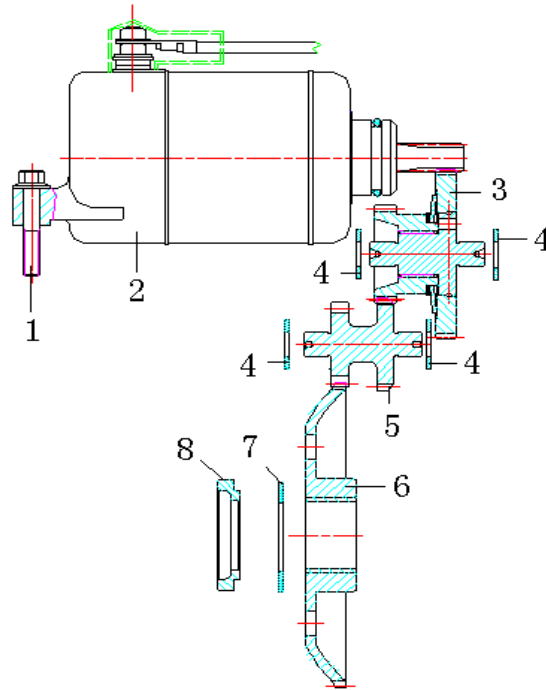
E-14 ( Cooling System )



S/N	Part No.	Name	Condition	Quantity
1	380950221-0001	Clamp, water pipe		4
2	380760079-0001	water pipe		1
3	380760078-0001	water pipe		1
4	380140057-0001	Bolt	M6×65	1
5	380140143-0001	Bolt	M6×30	2
6	160470011-0001	Cover, water pump		1
7	380600002-0001	Pin		2
8	160680002-0001	Gasket		1
9	380370003-0004	nut		1
10	160440008-0001	Impeller		1
11	380450780-0001	Washer	φ6.5×φ12×1.5	1



E-15 ( Starting Motor )



S/N	Part No.	Name	Condition	Quantity
1	380140143-0001	Bolt		2
2	270350046-0001	Motor, starting		1
3	193190024-0001	Dual-gear set		1
4	380450623-0001	Washer	$\phi 10.2 \times \phi 20 \times 0.5$	4
5	193200010-0001	Mid-gear set, starting		1
6	193240023-0001	Gear Starting Clutch		1
7	380450624-0001	Washer	$\phi 27.5 \times \phi 44 \times 1.0$	1
8	380821814-0001	Bush	$\phi 27 \times \phi 44 \times 8$	1



