

# CHAPPY 125CC ENGINE PARTS

NO.	PARTS NO.	DESCRIPTION (ENGLISH)	PART NUMBER	DESCRIPTION (ENGLISH)	QTY	Salable
<b>E-1 Engine seals, gaskets and o-rings</b>						
1	LX125-A	ENGINE OIL SEAL SET 125CC	380840045-0001	O-RING	1	v
			380840046-0001	O-RING	1	
			380840132-0001	O-RING	2	
			380840042-0001	SEAL	1	
			380650029-0001	OIL SEAL	1	
			380650056-0001	OIL SEAL	1	
			380650054-0001	OIL SEAL	1	
			380840048-0001	O-RING	1	
			380840064-0001	O-RING	1	
			380840005-0001	O-RING	1	
			380840026-0001	O-RING	1	
			380650061-0001	OIL SEAL	1	
			380650031-0001	OIL SEIL	1	
2	LX125-B	ENGINE GASKETS SET 125CC	120150022-0001	GASKET,CYLINDER HEAD	1	v
			120050020-0001	GASKET,CYLINDER	1	
			120370001-0001	GASKET,R.CYLINDER HEAD SIDE	1	
			120250004-0001	GASKET,CYLINDER HEAD COVER	1	
			120310003-0001	GASKET,L.CYLINDER HEAD SIDE	1	
			110420008-0001	GASKET,L.CRANKCASE COVER		
			110620010-0001	GASKET,R.CRANKCASE COVER	1	
			110100012-0001	GASKET,CRANKCASE	1	

# CHAPPY 125CC ENGINE PARTS

NO.	PARTS NO.	DESCRIPTION (ENGLISH)	PART NUMBER	DESCRIPTION (ENGLISH)	QTY	Salable
<b>E-2 CYLINDER HEAD/CAMSHAFT/VALVE/CYLINDER BODY</b>						
1	LX125-C	CYLINDER HEAD ASSY WITH VALVE SET	120080110-0007	HEAD, CYLINDER	1	√
			380180031-0001	STUD	1	√
			380040003-0001	BOLT	1	√
			140020004-0001	CAMSHAFT COMP	1	√
			140200001-0001	REDUCING VALVE	1	√
			140510002-0001	SHAFT,VALVEROCKER ARM	2	√
			140490003-0001	NUT,TAPPET ADJUSTING	2	√
			140480002-0001	SCREW,TAPPET ADJUSTING	2	
			140450003-0001	ARM,VALVE ROCKER	2	√
			140390002-0001	COTTER,VALVE	4	√
			140380002-0001	RETAINER,VALVE INNER SPRING	2	√
			140340002-0001	SPRING,VALVE INNER	2	√
			140350002-0001	SPRING,VALVE OUTER	2	√
			140370002-0001	SEAT,VALVE OUTER SPRING	2	√
			140400002-0001	SEAL, VALVE STEM	2	√
			140300005-0001	VALVE,IN	1	√
			140310005-0001	CAMSHAFT COMP	1	√
140330002-0001	SPRING ASSY,VALVE	2	√			
2	120020055-	CYLINDER ASSY	120020055-0004	CYLINDER ASSY	1	√
3	120150022-	GASKET,CYLINDER	120150022-0001	GASKET,CYLINDER HEAD	1	\
4	120050020-	GASKET,CYLINDER	120050020-0001	GASKET,CYLINDER	1	\
5	LX125-D	ACCESSORIES FOR CYLINDER	380820091-0001	COLLAR	1	√
			380840047-0001	RECTANGULAR RIN	1	√
			380600028-0001	PIN	1	√
			380600029-0001	PIN	2	√
			380820089-0001	WASHER	1	√
			380840045-0001	O-RING	1	\
			380840046-0001	O-RING	1	\
			380040007-0001	BOLT	1	√
6	120060004-	DAMPING BUSHING	120060004-0001	DAMPING BUSHING	2	√
7	120060006-	DAMPING BUSHING	120060006-0001	DAMPING BUSHING	1	√

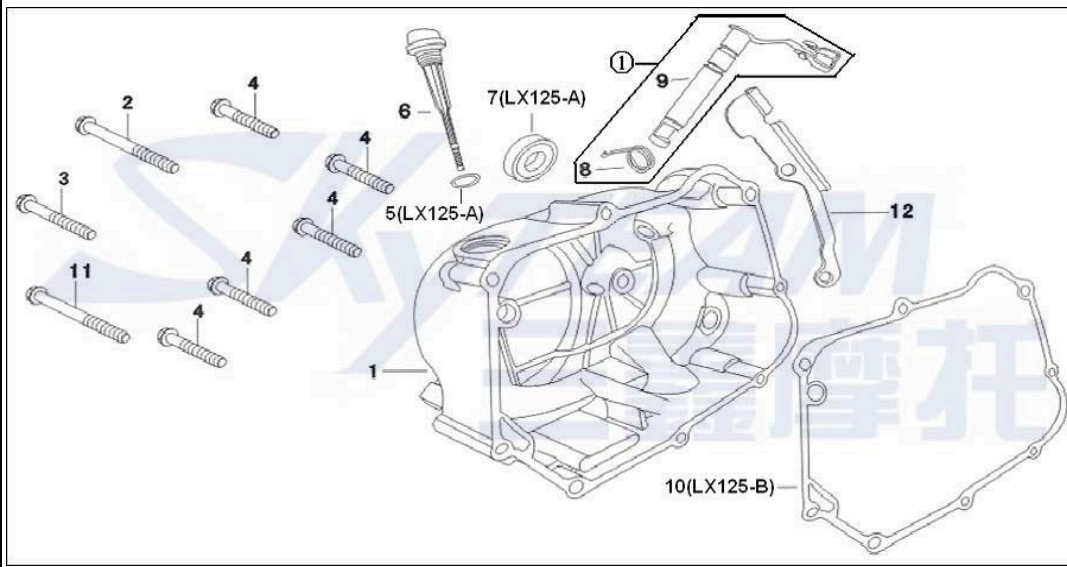
# CHAPPY 125CC ENGINE PARTS

NO.	PARTS NO.	DESCRIPTION (ENGLISH)	PART NUMBER	DESCRIPTION (ENGLISH)	QTY	Salable
<b>E-3 COVER,CYLINDER HEAD</b>						
1	270960020-	SPARK PLUG	270960020-0001	SPARK PLUG	1	√
2	LX125-E	VALVE CAP WITH O-RING	120280003-0001	VALVE CAP	2	√
			380840132-0001	O-RING	2	√
3	LX125-F	CYLINDER HEAD COVER, RIGHT&LEFT SIDE	380140066-0004	BOLTM	1	√
			380140015-0001	BOLTM	2	√
			380450048-0001	GASKET	1	√
			120350004-0002	COVER,CYLINDER HEAD	1	√
			120370001-0001	GASKET,R.CYLINDER HEAD SIDE	1	√
			120300009-0006	COVER,L.CYLINDER HEAD SIDE	1	√
			120310003-0001	GASKET,L.CYLINDER HEAD SIDE	1	√
4	LX125-G	CYLINDER HEAD COVER WITH FASTEN PARTS	380330017-0001	NUT,CYLINDER HEAD COVER	4	√
			380450087-0001	GASKET	3	√
			380450088-0001	GASKET	1	√
			120230018-0001	GOVER,CYLINDER HEAD	1	√
			120250004-0001	GASKET,CYLINDER HEAD COVER	1	√
5	170440003-	INSULATOR,	170440003-0001	INSULATOR, CARBURETTOR	1	√
6	170430004-	GASKET,	170430004-0001	GASKET, CARBURETTOR	1	√

# CHAPPY 125CC ENGINE PARTS

NO.	PARTS NO.	DESCRIPTION (ENGLISH)	PART NUMBER	DESCRIPTION (ENGLISH)	QTY	Salable
-----	-----------	-----------------------	-------------	-----------------------	-----	---------

## E-4 RIGHT CRANKCASE COVER



1	110600077-	COVER	110600077-0037	COVER COMP,R.CRANKCASE	1	√
2	380140059-	BOLT,HEXAGONAL	380140059-0002	BOLT,HEXAGONAL WITH FLANGE	1	√
3	380140057-	BOLT,HEXAGONAL	380140057-0001	BOLT,HEXAGONAL WITH FLANGE	1	√
4	380140019-	BOLT,HEXAGONAL	380140019-0003	BOLT,HEXAGONAL WITH FLANGE	5	√
5	380840042-	SEAL	380840042-0001	SEAL	1	√
6	110700002-	GAUGE,OIL LEVEL	110700002-0003	GAUGE,OIL LEVEL	1	√
7	380650029-	OIL SEAL	380650029-0001	OIL SEAL	1	√
8	LX125-H	CLUTCH LEVER	381160024-0001	CLUTCH LEVER ASSY	1	√
			190810010-0002	CLUTCH LEVER	1	√
9	110620010-	GASKET,R.CRANKCA	110620010-0001	GASKET,R.CRANKCASE COVER	1	√
10	380140020-	BOLT,HEXAGONAL	380140020-0001	BOLT,HEXAGONAL WITH FLANGE	1	√
11	191230010-	CLUTSH CABLE	191230010-0001	CLUTSH CABLE STAND	1	√

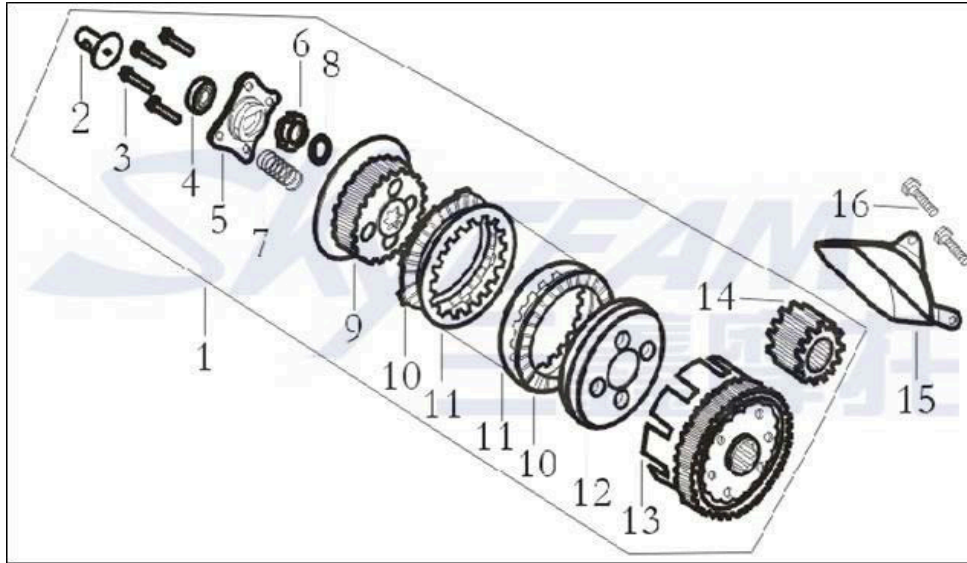
# CHAPPY 125CC ENGINE PARTS

NO.	PARTS NO.	DESCRIPTION (ENGLISH)	PART NUMBER	DESCRIPTION (ENGLISH)	QTY	Salable
<b>E-5 CRANKCASE</b>						
1	150290002-	SCREEN,OIL FILTER	150290002-0001	SCREEN,OIL FILTER	1	√
2	LX125-I	<b>CRANKCASE</b>	110080019-0008	CRANKCASE COMP.R	1	√
		<b>COMP. R &amp; L</b>	110030027-0008	CRANKCASE COMP.L	1	√
3	380600012-	PIN KNOCK	380600012-0001	PIN KNOCK	2	√
4	380450018-	WASHER,DRAIN	380450018-0003	WASHER,DRAIN PLUG	1	√
5	110260003-	BOLT,DRAIN PLUG	110260003-0002	BOLT,DRAIN PLUG	1	√
6	LX125-J	<b>CYLINDER STUD</b>	110250008-0002	BOLT B,CYLINDER STUD	2	√
		<b>BOLT</b>	110240010-0002	BOLT A,CYLINDER STUD	2	√
7	380950016-	CLAMP,BREATHER	380950016-0001	CLAMP,BREATHER TUBE	1	√
8	380140020-	BOLT	380140020-0002	BOLT	2	√
9	380140032-	BOLT	380140032-0001	BOLT	1	√
10		BOLT		BOLT	5	√
11	380740022-	TUBE,BREATHER	380740022-0001	TUBE,BREATHER	1	√
12	110100012-	GASKET,CRANKCASE	110100012-0001	GASKET,CRANKCASE	1	\

# CHAPPY 125CC ENGINE PARTS

NO.	PARTS NO.	DESCRIPTION (ENGLISH)	PART NUMBER	DESCRIPTION (ENGLISH)	QTY	Salable
-----	-----------	-----------------------	-------------	-----------------------	-----	---------

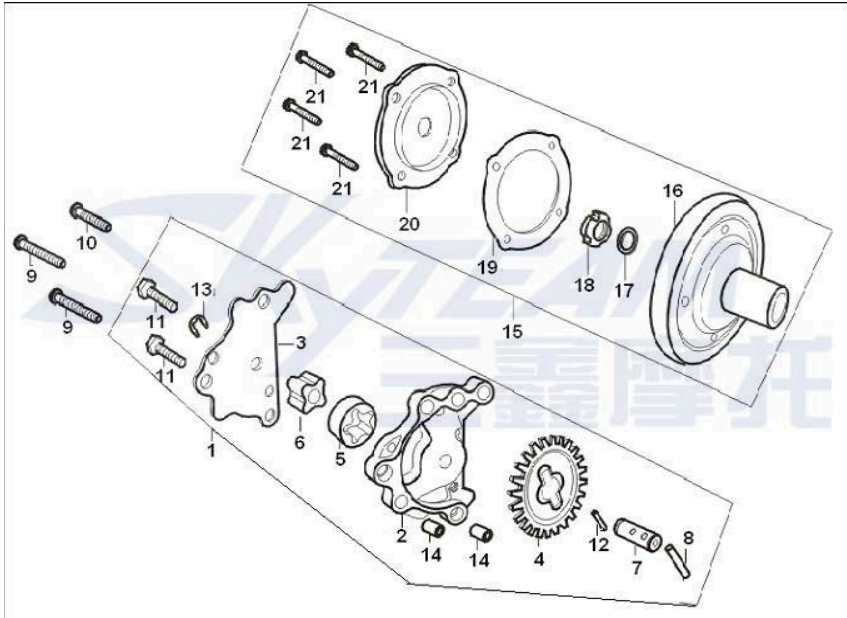
## E-6 CLUTCH



1	500280038-0001	CLUTCH COMP	500280038-0001	CLUTCH COMP	1	v	
			190730005-0001	ASLE SLEEVE,SEPARATING	1	v	
			380070015-0005	NUT	4	v	
			380630013-0001	BEARING,CLUTCH COVER	1	v	
			190480004-0001	LIFT PLATE	1	v	
			380550014-0001	WASHER	1	v	
			190550010-0001	SPRING	4	v	
			380480002-0001	WASHER	1	v	
				CENTER PIECE	1	v	
				FRICION PLATE,DRIVE	5	v	
				FRICION PLATE,DRIVEN	4	v	
				CLAMP PLATE	1	v	
				190330014-0001	PRIMARY DRIVE GEAR	1	v
					COVER ASSY,CLUTCH	1	v
2	190780002-	PLATE,OIL	190780002-0001	PLATE,OIL SEPARATOR	1	v	
3	380070012-	BOLT,HEX.,M6*20	380070012-0005	BOLT,HEX.,M6*20	2	v	



# CHAPPY 125CC ENGINE PARTS

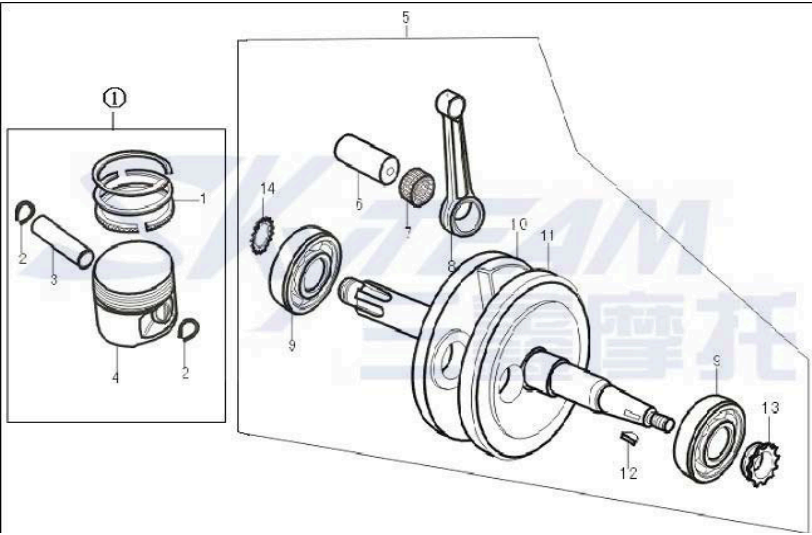
NO.	PARTS NO.	DESCRIPTION (ENGLISH)	PART NUMBER	DESCRIPTION (ENGLISH)	QTY	Salable	
<b>E-7 OIL PUMP/OIL FILTER COMP</b>							
							
1	150010031-0001	OIL PUMP COMP	150010031-0001	OIL PUMP COMP	1	v	
				BODY,OILPUMP	1	\	
				COVER,OILPUMP	1	\	
				GEAR,OIL PUMP	1	\	
				ROTOR,OIL PUMP OUTER	1	\	
				ROTOR,OIL PUMP INNER	1	\	
				SPINDLE,OILPUMP	1	\	
				381370001-0001	PIN	1	\
				380200006-0002	BOLT	2	v
				380600045-0001	PIN	1	
		OBJECT	1				
		PIN	2				
2	380220027-	BOLT	380220027-0001	BOLT	2	v	
3	380220032-	BOLT	380220032-0002	BOLT	1	v	
4	150350002-0001	OIL FILTER COMP	150350002-0001	OIL FILTER COMP	1	v	
				150490002-0001	SEAT, OIL FILTER	1	\
				380480002-0001	WASHER	1	\
				380810008-0001	NUT	1	\
				150540002-0001	GASKET, FINE OIL FILTER	1	\
				150360002-0001	COVER, FINE OIL FILTER	1	\
				380220009-0001	BOLT	4	\

# CHAPPY 125CC ENGINE PARTS

NO.	PARTS NO.	DESCRIPTION (ENGLISH)	PART NUMBER	DESCRIPTION (ENGLISH)	QTY	Salable
<b>E-8 GENERATOR/LEFT CRANKCASE COVER</b>						
1	110400042-	COVER,L.CRANKCASE	110400042-0054	COVER,L.CRANKCASE	1	√
2	110420008-	GASKET,L.CRANKCAS	110420008-0001	GASKET,L.CRANKCASE COVER	1	√
3	LX125-K	GENERATOR	270010024-0032	GENERATOR	1	√
			270020034-0001	FLYWHEEL COMP	1	√
			270100038-0050	STATOR COMP.	1	√
			380370011-0001	NUT	1	√
4	LX125-L	SPROCKET COMP,STARTING	380650056-0001	OIL SEAL	1	√
			193290001-0001	SPROCKET COMP,STARTING	1	√
			193270001-0001	CHAIN,STARTING	1	√
			380650054-0001	OIL SEAL	1	√
5	380840048-	O-RING	380840048-0001	O-RING	1	√
6	110310002-	DISK COVER	110310002-0003	DISK COVER	1	√
7	380840064-	O-RING	380840064-0001	O-RING	1	√
8	LX125-M	SMALL CAP EYEHOLE&BIG CAP EYEHOLE	110440001-0007	SMALL CAP EYEHOLE	1	√
			110430004-0006	BIG CAP EYEHOLE	1	√
			380840005-0001	O-RING	1	√
			380840026-0001	O-RING	1	√
9	380600012-	PIN,KNOCK	380600012-0001	PIN,KNOCK	3	√
10	380140017-	BOLT	380140017-0005	BOLT	4	√
11	380140020-	BOLT	380140020-0003	BOLT	1	√
12	380140169-	BOLT	380140169-0002	BOLT	2	√
13	380140030-	BOLT	380140030-0005	BOLT	1	√
14	380140068-	BOLT	380140068-0004	BOLT	1	√



# CHAPPY 125CC ENGINE PARTS

NO.	PARTS NO.	DESCRIPTION (ENGLISH)	PART NUMBER	DESCRIPTION (ENGLISH)	QTY	Salable
<b>E-9 PISTON/CRANKSHAFT COMP</b>						
						
<b>1</b>	<b>LX125-N</b>	<b>PISTON ASSY.</b>	130070019-0001	PISTON RING	1	
			380560006-0001	CIRCLIP,PISTON PIN	2	√
			130060019-0001	PISTON PIN	1	√
			130030024-0001	PISTON	1	√
<b>2</b>	<b>130140027-0001</b>	<b>CRANKSHAFT COMP</b>	130140027-0001	CRANKSHAFT COMP	1	√
			130350002-0001	CRANK PIN	1	\
			380630034-0002	NEEDLE BEARING	1	\
			130150004-0001	CONNETING ROD	1	\
			380630022-0001	CRANKSHAFT ROLLING BEARING	2	\
			130260018-0001	CRANKSHAFT	1	\
			130210004-0001	CRANKSHAFT	1	\
			380620002-0001	SEMI CIRCLAR KEY	1	\
				CRANKSHAFT TIMING GEAR	1	\
				DRIVEN GEAR, PRIMARY	1	\

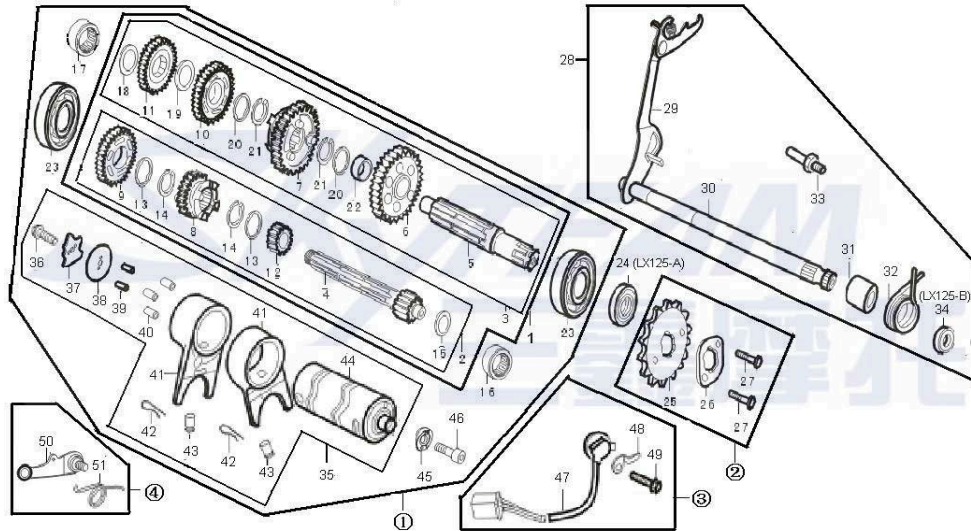
# CHAPPY 125CC ENGINE PARTS

NO.	PARTS NO.	DESCRIPTION (ENGLISH)	PART NUMBER	DESCRIPTION (ENGLISH)	QTY	Salable
<b>E-10 MAINSHAFT/COUNTERSHAFT ASSY</b>						
1	LX125-O	TRANSMISSION ASSY. AND DRUM COMP., GEARSHIFT	500290010-0001	TRANSMISSION ASSY	1	√
			191250005-0001	MAINSHAFT COUNTERSHAFT	1	√
			191390005-0001	COUNERSHAFT MAINSHAFT	1	√
			191260005-0001	MAINSHAFT	1	\
			191400005-0001	COUNTERSHAFT	1	\
			191420003-0001	GEAR SOUNTERSHAFT FIRST	1	\
			191440004-0001	GEAR,COUNTERSHAFT SECOND	1	\
			191290004-0001	GEAR,MAINSHAFT THIRD	1	\
			191300004-0001	GEAR,MAINSHAFT FOURTH	1	\
			191460004-0001	GEAR,COUNTERSHAFT FHIRD	1	\
			191480004-0001	GEAR,COUNTERSHAFT FOURTH	1	\
			191280004-0001	GEAR,MAINSHAFT SECOND	1	\
			380500003-0002	WASHER,SPLINE-A17mm	2	\
			380540003-0001	FLAT	2	\
			380540018-0001	FLAT	1	\
			380630013-0001	NEEDLE BEARING	1	√
			380630033-0001	NEEDLE BEARING	1	√
			380540023-0001	FLAT	1	\
			380540020-0001	FLAT	1	\
			380500004-0001	WASHER,SPLINE	2	\
			380550018-0001	CIRCLIP	2	\
			380820085-0001	BUSHING	1	\
			380630002-0001	BEARING,RADIAL BALL	1	√
			192060065-0001	DRUM COMP,GEARSHIFT	1	√
			380070015-0001	BOLT	1	\
			192100003-0001	SHIFT CAM	1	\
			192110003-0001	PLATE,GEARSHIFT DRUM	1	\
			380600015-0001	PIN	2	\
			380600014-0001	PIN	3	\
			192120035-0001	FORK,GEARSHIFT	2	\
			192090001-0001	PINCHCOCK	2	\
			192140001-0001	PIN	2	\
192080019-0001	DRUM,GEARSHIFT	1	\			
270720008-0001	CONTACTOR,GEAR INDICATOR	1	√			
380190061-0001	BOLT	1	√			

# CHAPPY 125CC ENGINE PARTS

NO.	PARTS NO.	DESCRIPTION (ENGLISH)	PART NUMBER	DESCRIPTION (ENGLISH)	QTY	Salable
-----	-----------	-----------------------	-------------	-----------------------	-----	---------

## E-10 MAINSHAFT/COUNTERSHAFT ASSY

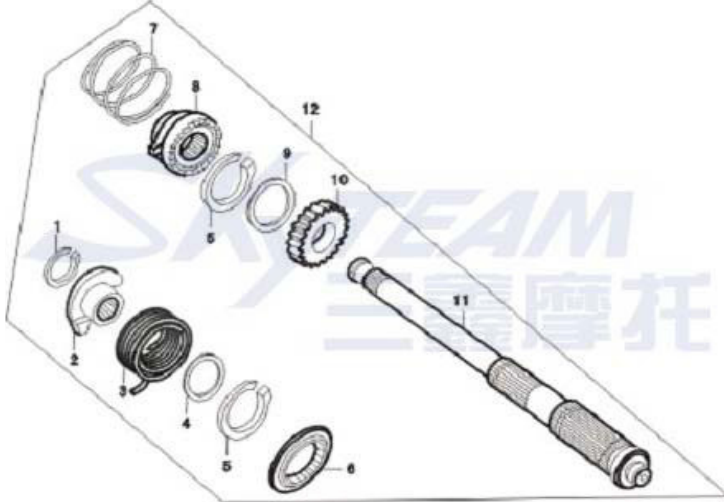


2	380650061-	OIL SEAL	380650061-0001	OIL SEAL	1	\
3	LX125-P	SPROCKET,DRIVE	191600012-0007	SPROCKET,DRIVE	2	v
			191610002-0001	PLATE, FIXING, DRIVE SPROCKET	1	v
			380070004-0001	BOLT	2	v
4	192320027-0001	ARM COMP.GEARSHIFT	192320027-0001	ARM COMP.GEARSHIFT	1	v
			192420002-0001	ARM GEARSHIFT	1	\
			192340018-0001	SPINDLE COMP.GEARSHIFT	1	\
			380820087-0001	COLLAR	1	\
			381160015-0001	SPRING, GEARSHIFT RETURN	1	\
			380610016-0001	PIN	1	v
			380650031-0001	OIL SEAL	1	\
5	LX125-Q	INDICATOR, GEAR	270650020-0001	INDICATOR	1	v
			270740001-0001	INDICATOR PRESSURE	1	v
			380140026-0003	BOLT, M6×10	1	v
6	LX125-R	STOPPER COMP., GEARSHIFT	192190004-0001	STOPPER COMP.	1	v
			381160028-0001	SPRING	1	v

# CHAPPY 125CC ENGINE PARTS

NO.	PARTS NO.	DESCRIPTION (ENGLISH)	PART NUMBER	DESCRIPTION (ENGLISH)	QTY	Salable
<b>E-11 CAM CHAIN/TENSIONER</b>						
<b>1</b>	<b>LX125-S</b>	<b>SPROCKET AND CHAIN TRANSMISSION ASSY</b>	140610030-0001	CHAIN,CAM	1	√
			141210002-0001	ROLLER,CAM CHAIN TENSIONER	1	√
			140580005-0001	SPROCKET,CAM	1	√
			141240004-0001	ROLLER COMP.,CAM CHAIN GUIDE	1	√
			140590001-0002	BOLT,KNOCK	3	√
			380450056-0001	WASHER	1	√
			141270002-0004	PIN, CAM CHAIN GUIDE ROLLER	1	√
			150150001-0001	SPROCKET,OIL PUMP	1	√
<b>2</b>	<b>LX125-T</b>	<b>CHAIN TENSIONER ASSY.</b>	380190061-0001	SPINDLE,CAM CHAIN GUIDE	1	√
			141160001-0001	ARM COMP.,CAM CHAIN	1	√
			141200001-0001	PIVOT,CAM CHAIN TENSIONER	1	√
				HEAD,CAM CHAIN TENSIONER PUSH	1	\
			141080001-0001	ROD COMP.,CAM CHAIN TENSIONER	1	\
			381150030-0001	SPRING,CAM CHAIN TENSIONER	1	√
			380450054-0001	WASHER,SEALING	1	√
			110260004-0001	BOLT,SEALING	1	√

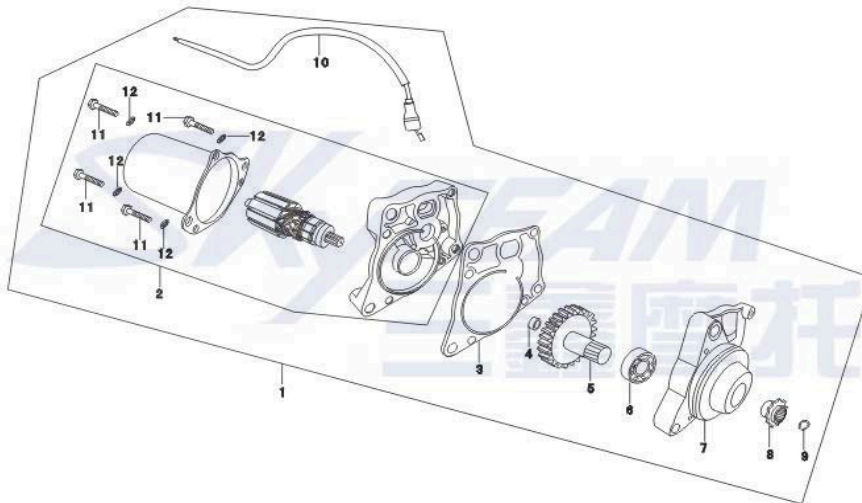
# CHAPPY 125CC ENGINE PARTS

NO.	PARTS NO.	DESCRIPTION (ENGLISH)	PART NUMBER	DESCRIPTION (ENGLISH)	QTY	Salable
<b>E-12 KICK STARTER SPINDLE</b>						
						
<b>1</b>	<b>193300009-0001</b>	<b>SPINDLE COMP,KICK STARTER</b>	380570004-0001	CIRCLIP	1	V
			193470002-0001	RETAINER,KICK SPRING	1	
			193340003-0001	SPRING,KICK STARTER	1	
			380540021-0001	WASHER	1	
			380550010-0001	CIRCLIP	2	
			193360001-0001	RATCHET WHEEL GUIDE STRIP	1	
			193350003-0001	SPRING,STARTER PINION FRICTION	1	
			193330003-0001	RATCHET,STARTER	1	
			380540007-0001	WASHER,THRUST,20mm	2	
			193320004-0001	PINION,KICK STARTER	1	
			193310005-0001	SPINDLE,KICK STARTER	1	
			193300009-0001	SPINDLE COMP,KICK STARTER	1	V

# CHAPPY 125CC ENGINE PARTS

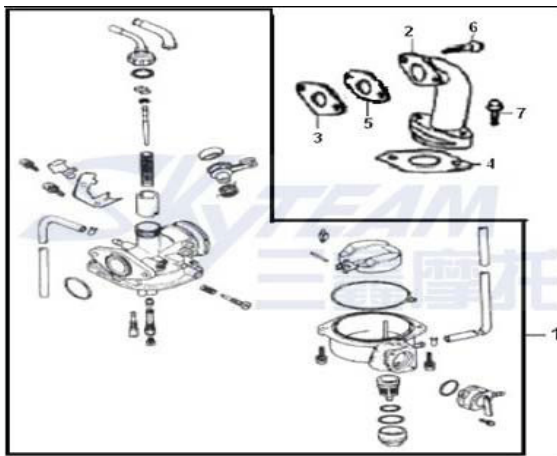
NO.	PARTS NO.	DESCRIPTION (ENGLISH)	PART NUMBER	DESCRIPTION (ENGLISH)	QTY	Salable
-----	-----------	-----------------------	-------------	-----------------------	-----	---------

## E-13 KICK STARTER SPINDLE



1	270350005-0026	MOTOR ASSY.,STARTER	270350005-0026	MOTOR ASSY.,STARTER	1	√
				MOTOR, STARTER	1	\
				CUSHION	1	\
				GASKET	1	\
				GEAR	1	\
				BEARING	1	\
				END CAP	1	\
				DRIVING CHAIN WHEEL	1	\
				CIRCLIP	1	\
				270390003-0001	HARNESS,STARTING MOTOR	1
		SCREW	4	\		
		WASHER	4	\		

## E-14 CARBURETOR COMP/PIPE IN



1		CARBURETOR		CARBURETOR	1	√
2		PIPE,IN		PIPE,IN	1	√
3		WASHER		WASHER	1	\
4		INLET PIPE WASHER		INLET PIPE WASHER	1	\
5		CARBURETOR		CARBURETOR WASHER	1	\
6		BOLT		BOLT	2	\
7		BOLT		BOLT	2	\

REMARK: THE PARTS IN RED ARE THE ONES WE CANNOT SUPPLY SEPARATELY.THANKS FOR UNDERSTANDING