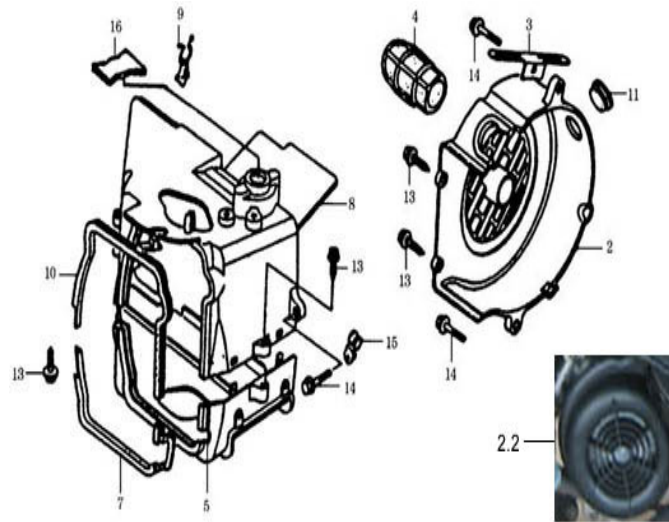


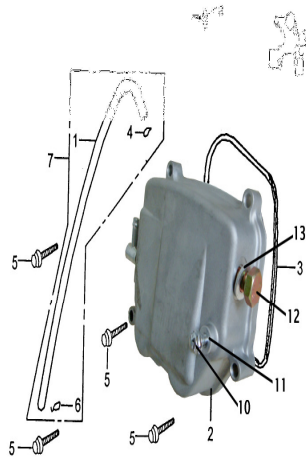
## GY6 ENGINE

### 01 Fan Cover, Engine Cover



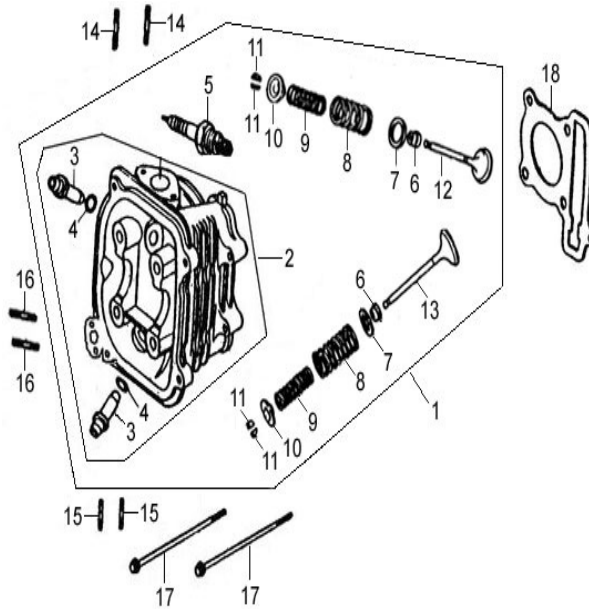
Item	Parts no.	Description	Qty	Unit	Remark
2.2	152.05.002A	Cover Comp, Fan (New)	1	pcs	
3	152.11.505	Clamper, Starter Cable	1	pcs	
4	152.12.118	Cooling duct, Carburetor	1	pcs	
5.1	152.02.004A	Shroud A	1	pcs	Europe II & Normal
5.2	152.02.004B	Shroud A	1	pcs	Europe III
7	152.12.117	Seal Gum, Shroud A	1	pcs	
8	152.05.003	Shroud Comp B	1	pcs	
9	152.12.203	Clip, High Tension Cord	1	pcs	
10	152.12.116	Seal Gum, Shroud B	1	pcs	
11	152.12.200	Stopper, Rubber	1	pcs	
13	G16824.1-ST4.8*16S	Screw, ST4.8*16	4	pcs	
14	G16674.1-M6*25S	Bolt, M6*25	3	pcs	
15	152.12.205	Clamper, Oil Drain Tube	1	pcs	
16	152.12.119	Rubber Stopper	1	pcs	

**GY6 ENGINE**  
**02 Cylinder Head Cover**



Item	Parts no.	Description	Qty	Unit	Remark
1	152.12.112	TUBE BREA TEHER	1	pcs	
2	152.04.301	COVER COMP CYLINDER HEAD	1	pcs	
3	152.12.111	CASKET HEAD COVER	1	pcs	
4	152.11.511	CLAMP TUBE (D8.5)	1	pcs	
5	GB5787	BOLT M6×25	4	pcs	
6	152.11.512	CLAMP TUBE12mm	1	pcs	
7		TUBE ASSY BREATHER	1	pcs	
8	GB845	SCREW TAPPING	3	pcs	
9	152.11.514	PLATEL COVER	1	pcs	
10	GB16674.1	BOLT M6×12.	1	pcs	
11		WASHERS Φ6×Φ12.3×1.5	1	pcs	
12	GB5783	BOLT M6×16	1	pcs	
13		WASHERS Φ10.5×Φ18×2	1	pcs	

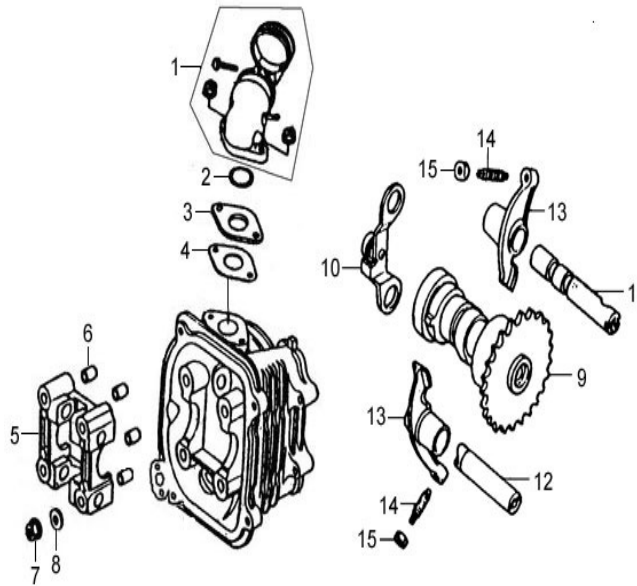
**GY6 ENGINE**  
**03 Cylinder Head**



Item	Parts no.	Description	Qty	Unit	Remark
2.3	152.04.200B	Head Comp, Cylinder (125cc)	1	pcs	
3	152.04.201	Guide, IN. Valve	2	pcs	Cannot be sourced separately.
4	152.04.202	O-Ring, 9*1.6	2	pcs	
5	152.07.200	Spark Plug, CR7HSA	1	pcs	
6	152.12.104	Oil Seal, Valve	2	pcs	
7	152.02.306	Seat, Valve Spring Outer	2	pcs	
8	152.02.303	Spring, Valve Outer	2	pcs	
9	152.02.304	Spring, Valve Inner	2	pcs	
10	152.02.305	Retainer, Valve Sprint	2	pcs	
11	152.02.307	Lock, Valve	4	pcs	
12A	152.02.301	Valve, IN (125cc)	1	pcs	
12B	157.02.301	Valve, IN (150cc)	1	pcs	
13A	152.02.302	Valve, EX(125cc)	1	pcs	
13B	157.02.302	Valve, EX (150cc)	1	pcs	
14	152.11.202	Bolt, M6*63	2	pcs	
15	152.11.201	Bolt, M6*32	2	pcs	
16	152.11.200	Bolt, M6*28	2	pcs	
17	G16674.1-M6*100A	Bolt, M6*100	2	pcs	
18A	152.04.203	Gasket, Cylinder Head (125cc)	1	pcs	
18B	157.04.203	Gasket, Cylinder Head (150cc)	1	pcs	

## GY6 ENGINE

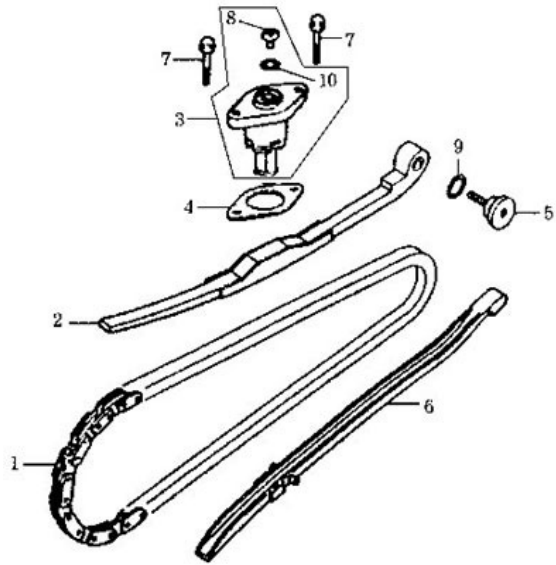
### 04 Air intake pipe, Camshaft, Valve Arm



Item	Parts no.	Description	Qty	Unit	Remark
1.1	152.08.200B	Pipe Comp, IN	1	pcs	
2	152.12.109	O-Ring, 27*2.0	1	pcs	
3	152.08.201	Insulator, Carburetor	1	pcs	
4	152.12.307	Gasket, Carburetor Insulator	1	pcs	
5	152.02.101	Holder, Camshaft	1	pcs	
6	152.11.516	Pin, 10*16	4	pcs	
7	G6177-M8A	Nut, M8	4	pcs	
8	G97.2-8	Washer, Φ8	4	pcs	
9	152.02.200	Camshaft Comp	1	pcs	
10	152.02.107	Plate Comp, Stopper	1	pcs	
11	152.02.103	Shaft Comp, IN Rocker Arm	1	pcs	
12	152.02.104	Shaft Comp, EX Rocker Arm	1	pcs	
13	152.02.102	Valve Rocker	2	pcs	
14	152.02.105	Screw, Adjusting	2	pcs	
15	152.02.106	Nut, Adjusting	2	pcs	

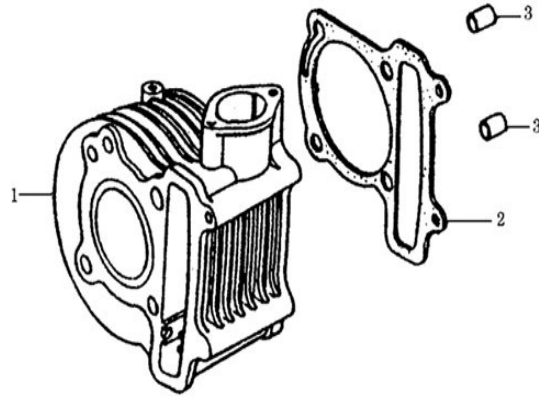
**GY6 ENGINE**

**05 Camshaft Chain, Tensioner**



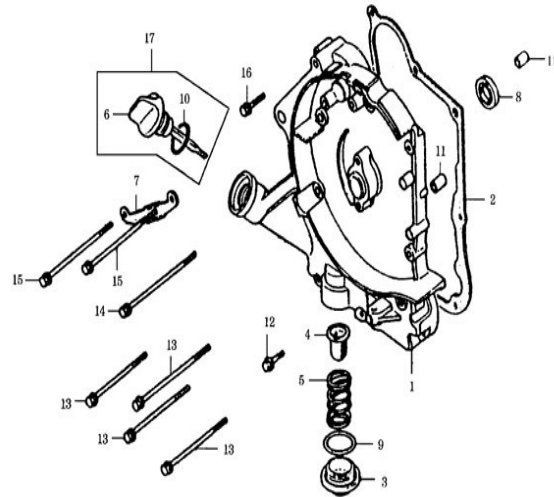
Item	Parts no.	Description	Qty	Unit	Remark
1	152.02.500	Camshaft Chain	1	pcs	90 Links
2	152.02.601	Tensioner, Cam Chain	1	pcs	
3	152.02.400	Chain Regulator	1	pcs	
4	152.12.306	Gasket, Chain Regulator	1	pcs	
5	152.02.603	Pivot, Cam Chain Tensioner	1	pcs	
6	152.02.602	Leader, Camshaft Chain	1	pcs	
7	G16674.1-M6*22S	Bolt, M6*22	2	pcs	
8	152.02.401	Screw, M6*6	1	pcs	
9	152.12.107	O-Ring, 15.2*1.5	1	pcs	
10	152.02.402	O-Ring, 9.5*1.5	1	pcs	

**GY6 ENGINE**  
**06 Cylinder**



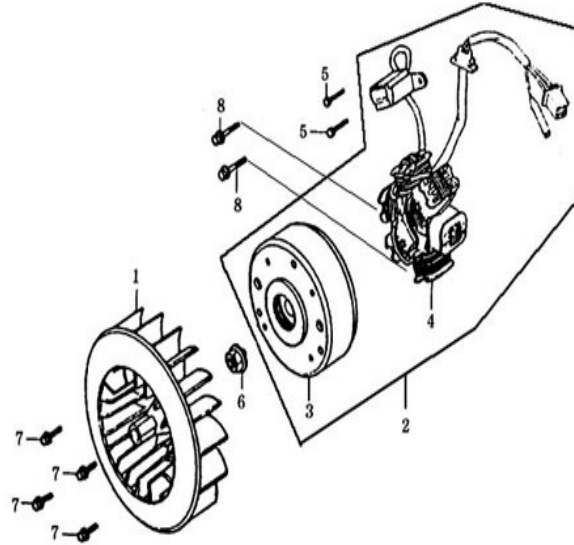
Item	Parts no.	Description	Qty	Unit	Remark
1.1	152.04.100	Cylinder Comp (125cc)	1	pcs	
1.2	157.04.100	Cylinder Comp (150cc)	1	pcs	
2.1	152.12.304	Gasket, Cylinder (125cc)	1	pcs	
2.2	157.12.304	Gasket, Cylinder (150cc)	1	pcs	
3	152.11.516	Pin, 10*16	2	pcs	

**GY6 ENGINE**  
**07 Right Crankcase Cover**



Item	Parts no.	Description	Qty	Unit	Remark
1	152.03.004	Right Crankcase Cover	1	pcs	
2	152.12.303	Gasket, R-Cover	1	pcs	
3	152.09.002	Cover, Oil Filter Screen	1	pcs	
4	152.09.003	Oil Filter Cap	1	pcs	
5	152.09.004	Spring, Oil Filter Cap	1	pcs	
6	152.12.201	Gauge, Oil Levered	1	pcs	
7	152.11.508	Clip	1	pcs	
8	152.12.101	Oil Seal, 19.8*30*5	1	pcs	
9	152.12.110	O-Ring, 30.8*3.2	1	pcs	
10	152.12.108	O-Ring, 18*3	1	pcs	
11	152.11.515	Pin, 8*14	2	pcs	
12	G16674.1-M6*32S	Bolt, M6*32	1	pcs	
13	G16674.1-M6*95A	Bolt, M6*95	4	pcs	
14	G16674.1-M6*100A	Bolt, M6*100	1	pcs	
15	G16674.1-M6*110A	Bolt, M6*110	2	pcs	
16	G16674.1-M6*40S	Bolt, M6*40	1	pcs	
17	152.12.202	Gauge, Oil Levered Assy	1	pcs	

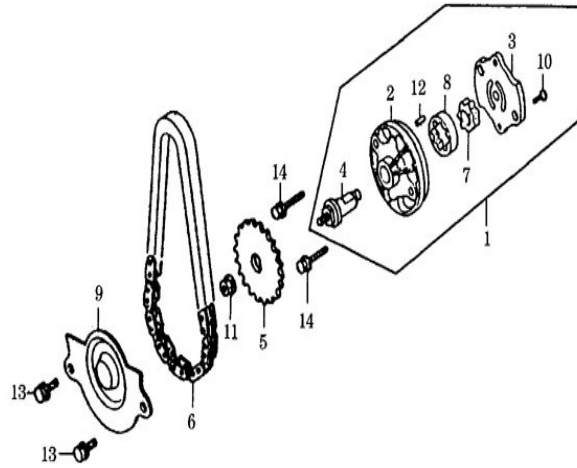
**GY6 ENGINE**  
**08 Generator**



Item	Parts no.	Description	Qty	Unit	Remark
1	152.05.001	Cooling Fan Comp	1	pcs	
2	152.07.100	Generator Assy	1	pcs	Normal socket
3	152.07.101	Rotor, Generator	1	pcs	
4	152.07.102	Stator, Generator	1	pcs	Normal socket
5	G5783-M5*12A	Bolt, M5*12	2	pcs	
6	G6187-M12*1.25A	Nut, M12*1.25	1	pcs	
7	G16674.1-M6*18A	Bolt, M6*18	4	pcs	
8	G16674.1-M6*20A	Bolt, M6*20	2	pcs	



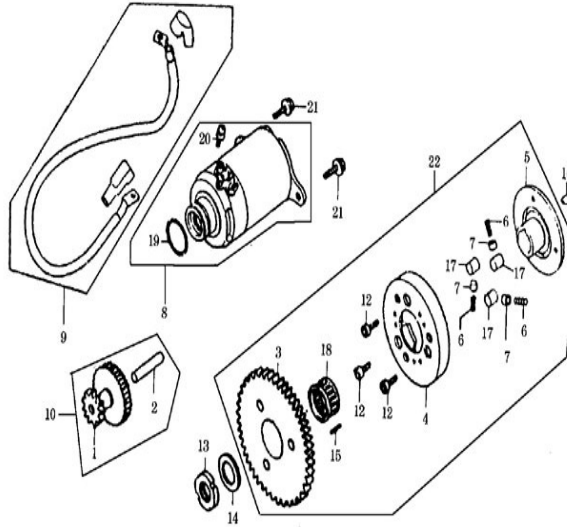
**GY6 ENGINE**  
**09 Oil Pump**



Item	Parts no.	Description	Qty	Unit	Remark
1	152.09.100	Oil Pump Assy	1	pcs	
2	152.09.101	Body, Oil Pump	1	pcs	Cannot be sourced separately.
3	152.09.102	Plate, Oil Pump	1	pcs	
4	152.09.103	Shaft, Oil Pump	1	pcs	
5	152.09.005	Driven Sprocket, Oil Pump	1	pcs	
6	152.09.200	Chain, Oil Pump	1	pcs	44Links
7	152.09.104	Rotor, Oil Pump, Inner	1	pcs	Cannot be sourced separately.
8	152.09.105	Rotor, Oil Pump, Outer	1	pcs	
9	152.09.001	Oil Separator	1	pcs	
10	G818-M3*10A	Screw, M3*10	1	pcs	
11	G6177-M6A	Nut, M6	1	pcs	
12	152.09.107	Pin, 4*6.5	1	pcs	Cannot be sourced separately.
13	G16674.1-M6*12A	Bolt, M6*12	2	set	
14	G16674.1-M6*25A	Bolt, M6*25	2	set	

## GY6 ENGINE

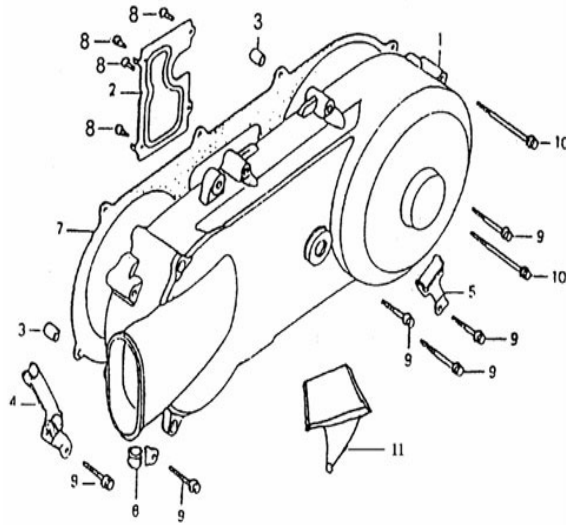
### 10 Starter Motor



Item	Parts no.	Description	Qty	Unit	Remark
1	152.06.201	Speed-down Gear, Starter	1	pcs	
2	152.06.202	Shaft, Starter Reduction Gear	1	pcs	
3	152.06.301	Gear Comp, Starting Clutch	1	pcs	125CC
4	152.06.302	Outer Comp, Starting Clutch	1	pcs	125CC
5	152.06.303	Flange, Starting Clutch	1	pcs	125CC
6	152.06.304	Spring, Starting Clutch Roller	3	pcs	125CC
7	152.06.305	Cap, Starting Clutch Roller Spring	3	pcs	125CC
8	152.07.500	Starter Motor Assy	1	pcs	
9	152.07.501	Cable, Starter Motor	1	pcs	
10	152.06.200	Join Gear Comp	1	pcs	
12	G70.1-M6*12A	Bolt, M6*12	3	pcs	
13	152.06.309	Nut, M22*1	1	pcs	
14	152.06.310	Washer, 22*31*2.5	1	pcs	
15	152.06.306	Pin, 5*6	1	pcs	
16	152.06.311	Key, Woodruff	1	pcs	
17	152.06.307	Roller, 10*10	3	pcs	125CC
18	152.06.308	Bearing, Needle 28*32*17	1	pcs	125CC
19	152.07.502	O-Ring	1	pcs	
20	G818-M5*8A	Screw, M5*8	1	pcs	
21	G16674.1-M6*16S	Bolt, M6*16	2	pcs	
22	152.06.300	125#Surpass Clutch Assy	1	set	
22.1	157.06.300	150# Ball Bearing Clutch Assy	1	set	

## GY6 ENGINE

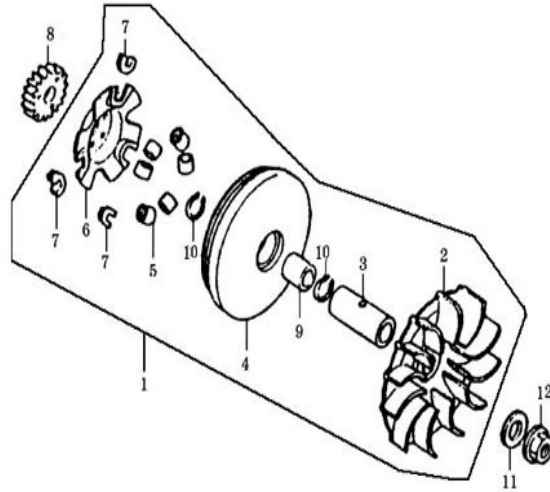
### 11 Left Crankcase Cover



Item	Parts no.	Description	Qty	Unit	Remark
1A	152.06.002	Cover, L	1	pcs	
1B	157.06.002	Cover, L (Extended)	1	pcs	Falcon / Fvision
2	152.06.003	Plate, L. Cover	1	pcs	
3	152.06.004	Pin, 8*14	2	pcs	
4	152.06.100	Clamper, Throttle Cable	1	pcs	
5	152.11.301	Clamper, Brake Cable	1	pcs	
6	152.11.402	Clamper, Breather Drain Tube	1	pcs	
7A	152.06.007	Gasket, L-Cover	1	pcs	
7B	157.06.007	Gasket, L-Cover (Extended)	1	pcs	Falcon / Fvision
8	G845-ST3.5*8A	Screw, ST3.5*8	4	pcs	
9	G16674.1-M6*40S	Bolt, M6*40	6	pcs	
10	G16674.1-M6*65S	Bolt, M6*65	2	pcs	
11	152.11.302	Main-Stand Fix Support	1	pcs	

## GY6 ENGINE

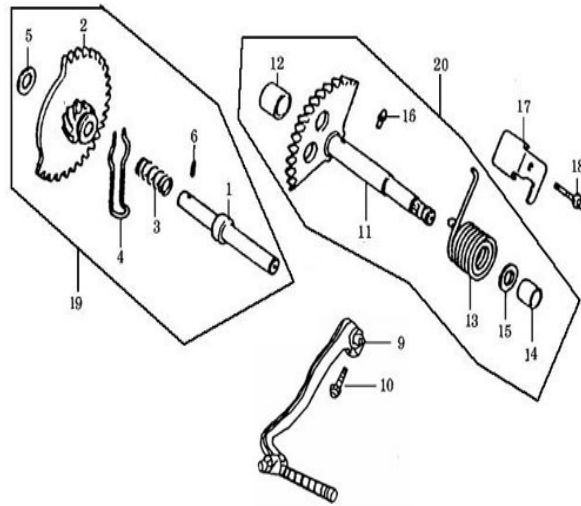
### 12 Flywheel



Item	Parts no.	Description	Qty	Unit	Remark
1	152.10.100	Flywheel Assy	1	pcs	
2	152.10.101	Drive Plank + Fan	1	pcs	
3	152.10.102	Bush, Driver	1	pcs	Length:51.5mm
4	152.10.103	Right Part, Driver	1	pcs	
5	152.10.104	Roller Set, Weight	6	pcs	Weight:12.8g
6	152.10.105	Ramp Plate	1	pcs	
7	152.10.106	Piece, Ramp Plate	3	pcs	
8	152.10.109	Driven Gear	1	pcs	
9	152.10.107	Bush, 28	1	pcs	
10	152.10.108	Clip, 28mm	2	pcs	
11	152.11.401	Washer, 12	1	pcs	
12	G6177-M12*1.25A	Nut, M12*1.25	1	pcs	

**GY6 ENGINE**

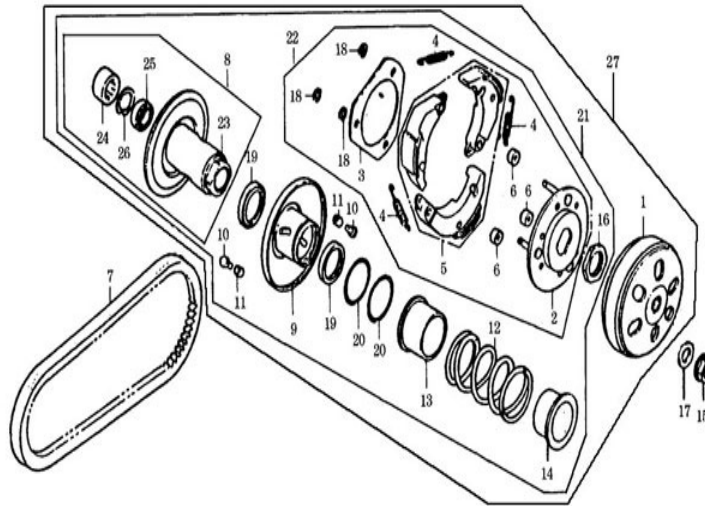
**13 Gear, Starter Idle / Spindle, Kick Starter**



Item	Parts no.	Description	Qty	Unit	Remark
1	152.13.101	Shaft, Starter Idle	1	pcs	
2	152.13.102	Starter Idle Gear	1	pcs	
3	152.13.103	Spring, Starter Idle	1	pcs	
4	152.13.104	Spring, Starter Gear Faction	1	pcs	
5	152.13.105	Washer, 12	1	pcs	
6	152.13.106	Collar, Drive Face, 3*8.5	1	pcs	
9	152.13.301	Arm Assy, Kick	1	pcs	
10	G16674.1-M6*22S	Bolt, M6*22	1	pcs	
11	152.13.201	Kick Starter Spindle	1	pcs	
12	152.13.202	Bush, 12*16*12	1	pcs	
13	152.13.203	Spring, Kick Starter	1	pcs	
14	152.13.204	Bush, 14*18*16	1	pcs	
15	152.13.205	Washer, 14	1	pcs	
16	152.13.206	Pin, 4.5mm	1	pcs	
17	152.11.503	Plate, Kick Return Stopper	1	pcs	
18	G16674.1-M6*14A	Bolt, M6*14	1	pcs	
19	152.13.100	Gear Comp, Starter Idle	1	pcs	
20	152.13.200	Spindle Comp, Kick Starter	1	pcs	

**GY6 ENGINE**

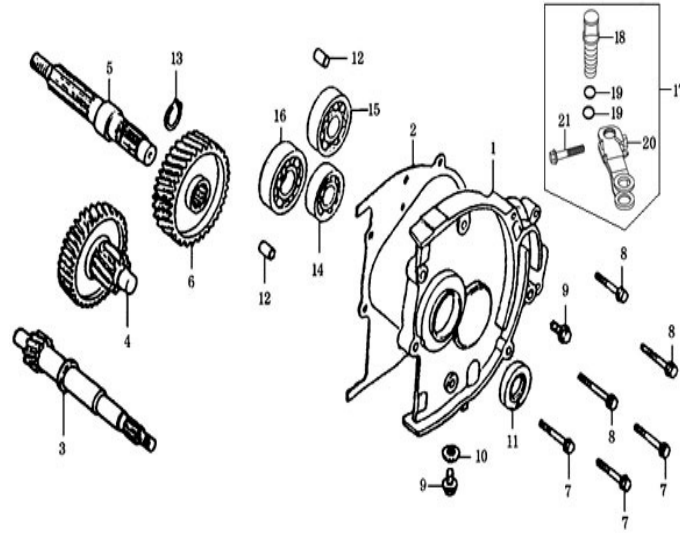
**14 Driven Pulley Assy**



Item	Parts no.	Description	Qty	Unit	Remark
1	152.10.210	Clutch Cover	1	pcs	
2	152.10.601	Plate Comp, Drive	1	pcs	Cannot be sourced separately.
3	152.10.602	Plate, Clutch Side	1	pcs	
4	152.10.603	Spring, Clutch	3	pcs	
5	152.10.604	Weight Set, Clutch	1	pcs	
6	152.10.605	Rubber, Clutch Damper	3	pcs	
7A	152.10.300	Belt, Drive	1	pcs	
8	152.10.400	Face, Assy, Drive	1	pcs	Cannot be sourced separately.
9	152.10.510	Face Comp, Movable Driven	1	pcs	
10	152.10.520	Pin	3	pcs	
11	152.10.530	Roller, Guide	3	pcs	
12	152.10.540	Spring, Driven Face	1	pcs	
13	152.10.550	Collar, Seal	1	pcs	
14	152.10.560	Collar, Spring	1	pcs	
15	G6177-M12*1.25A	Nut, M12*1.25	1	pcs	
16	152.10.570	Nut, M28	1	pcs	
17	152.10.230	Washer, 12	1	pcs	
18	152.10.606	Circlip, Ø7	3	pcs	Cannot be sourced separately.
19	152.10.580	Seal, 34*41*4	2	pcs	
20	152.10.590	O-Ring Pinion Cap	2	pcs	
21	152.10.200	Drive Pulley	1	pcs	
22	152.10.600	Driven Plate Assy	1	pcs	Cannot be sourced separately.
23	152.10.420	Belt Pulley	1	pcs	
24	152.10.430	Bearing Needle	1	pcs	
25	152.10.440	Bearing Ball Radial, 6902U	1	pcs	
26	152.10.450	Clip, 28mm	1	pcs	
27	152.10.001	Driven Pulley Assy	1	pcs	

**GY6 ENGINE**

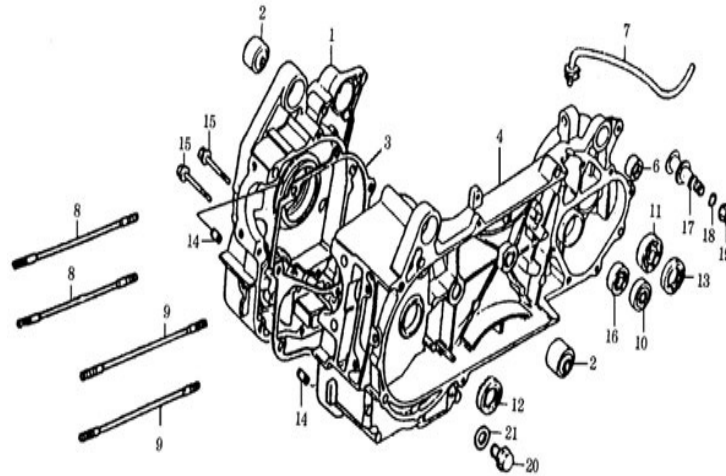
**15 Transmission**



Item	Parts no.	Description	Qty	Unit	Remark
1	152.03.005	Cover, Mission Assy	1	pcs	
2	152.12.305	Gasket, Mission Cover	1	pcs	
3	152.10.401	Shaft, Drive	1	pcs	15T
4	152.10.410	Countershaft Comp	1	pcs	42T,13T
5	152.10.402	Shaft, Final	1	pcs	Length197mm
6	152.10.403	Gear, Final	1	pcs	40T
7	G16674.1-M6*28A	Bolt, M6*28	3	pcs	
8	G16674.1-M6*35A	Bolt, M6*35	3	pcs	
9	G16674.1-M8*12S	Bolt, M8*12	2	pcs	
10	G97.2-8	Washer, Φ8	1	pcs	
11	152.12.102	Oil Seal, 20*32*6	1	pcs	
12	152.11.515	Pin, 8*14	2	pcs	
13	G894.1-20	Circlip for Shaft, Φ20	1	pcs	
14	G276-6202	Bearing, 6202	1	pcs	
15	G276-6203	Bearing, 6203	1	pcs	
16	G276-6204	Bearing, 6204 NSK	1	pcs	
17	152.14.100	Arm Assy, Rear Brake	1	set	
18	152.14.101	Shaft, Rear Brake	1	pcs	
19	152.14.102	O-ring, 11.3*1.3	2	pcs	
20	152.14.103	Arm, Rear Brake	1	pcs	
21	G16674.1-M6*35S	Bolt, M6*35	1	pcs	

## GY6 ENGINE

### 16 L & R Crankcase

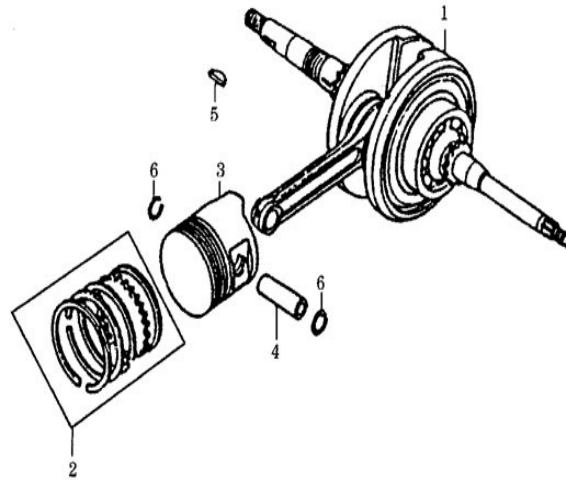


Item	Parts no.	Description	Qty	Unit	Remark
1	152.03.002	R Crankcase Assy	1	set	
2	152.12.114	Bush, Engine Hanger	2	pcs	
3	152.12.301	Casket, Crankcase	1	pcs	
4A	152.03.001	L Crankcase Assy	1	set	
4B	157.03.001	L Crankcase Assy (Extended)	1	set	Falcon / Fvision
6	152.12.115	Bush, Shock Absorber	1	pcs	
7	152.12.113	Tube, Breather	1	pcs	
8	152.11.203	Bolt, M8*187.5	2	pcs	
9	152.11.204	Bolt, M8*195.5	2	pcs	
10	G276-6301	Bearing, 6301	1	pcs	
11	G276-6004-2RS	Bearing, 6004-2RS	1	pcs	
12	152.12.101	Oil Seal, 19.8*30*5	1	pcs	
13	152.12.103	Oil Seal, 27*42*7	1	pcs	
14	152.11.515	Pin, 8*14	2	pcs	
15	G16674.1-M6*50A	Bolt, M6*50	2	pcs	
16	G276-6002	Bearing, 6002	1	pcs	
17	157.11.517	Pin, Brake Shoe Anchor	1	pcs	
18	152.12.105	O-Ring, 7.5*1.5	1	pcs	
19	G6187-M8A	Nut, M8	1	pcs	
20	152.11.205	Bolt, Drain plug	1	pcs	
21	G97.1-12	Washer, Φ12	1	pcs	



**GY6 ENGINE**

**17 Crankshaft, Piston**



Item	Parts no.	Description	Qty	Unit	Remark
1	152.01.100	Crankshaft Connection Assy	1	pcs	
2A	152.01.302	Ring Piston Comp (125cc)	1	pcs	52.4
2B	157.01.302	Ring Piston Comp (150cc)	1	pcs	57.4
3A	152.01.301	Piston (125cc)	1	pcs	52.4
3B	157.01.301	Piston (150cc)	1	pcs	57.4
4A	152.01.306	Pin, Piston (125cc)	1	pcs	41.2
4B	157.01.306	Pin, Piston (150cc)	1	pcs	42.5
5	152.11.101	Woodruff Key, 4*4*14	1	pcs	
6	152.01.307	Clip, Piston Pin	2	pcs	

**GY6 ENGINE**

**18 Engine Assy**

