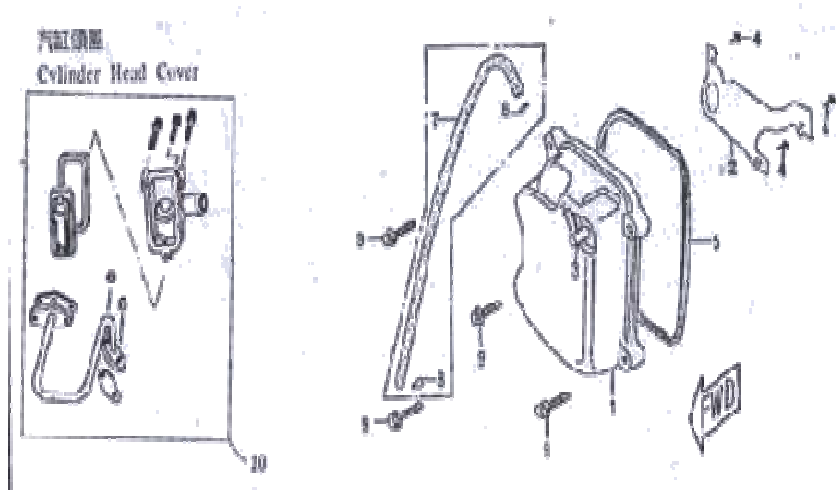


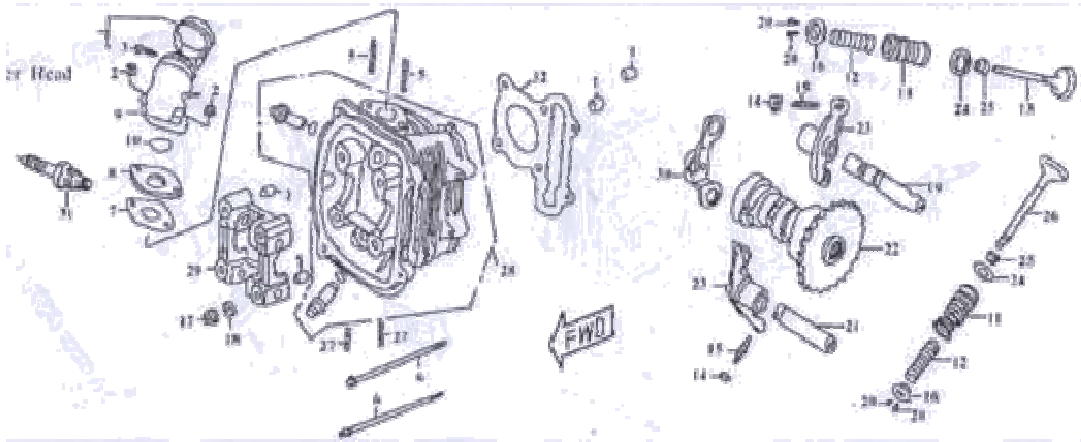
F-1 CYLINDER HEAD COVER



F-1 CYLINDER HEAD COVER

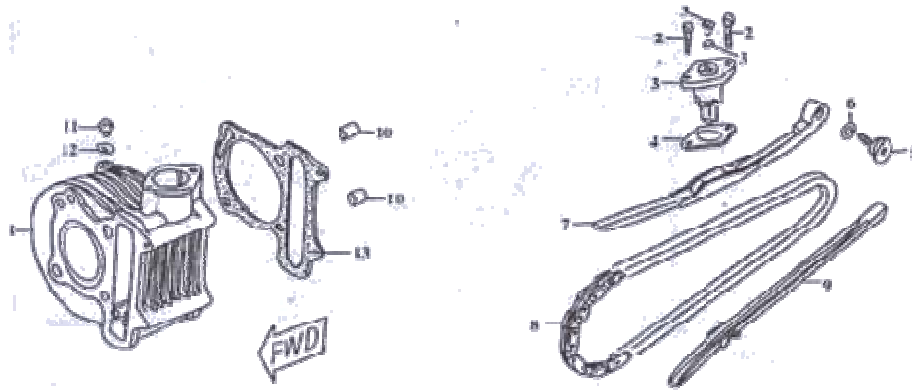
NO.	PART NO.	DESCRIPTION	Q'ty
1	152FM-0100001	Cylinder head cover	1
2	152FM-0100002	Pressure plate, breather	1
3	152FM-010100	Tube breather	1
4	GB845-85	Tapping screw ST4.2×8-F-H	3
5	152FM-0100003	Gasket, Cylinder head cover	1
6	152FM-0100004	Clip, tube A	1
7	152FM-0100005	Air tube	1
8	152FM-0100006	Clip, tube B	1
9	GB5787-86	Bolt M6×25	4

F-2 CYLINDER HEAD



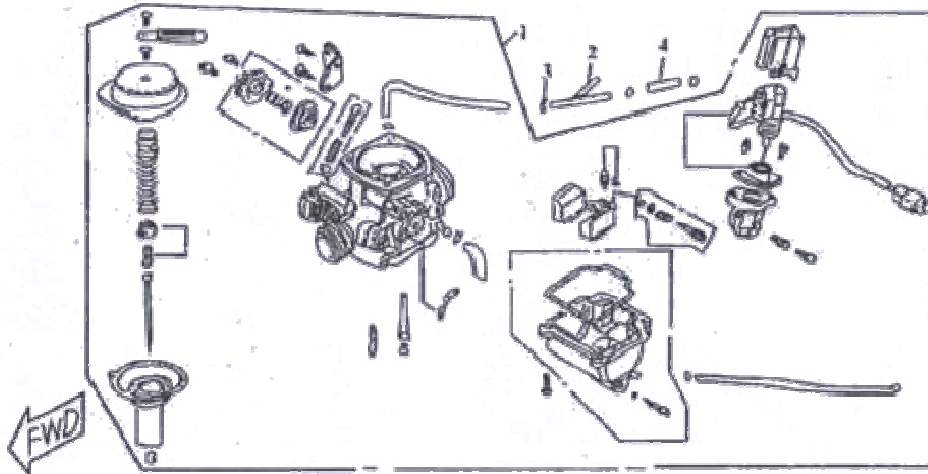
F-2 CYLINDER HEAD							
NO.	PART NO.	DESCRIPTION	Q'ty	NO.	PART NO.	DESCRIPTION	Q'ty
1	152FM-0200001	Pin	4	17	GB6177-86	Nut M8	4
2	GB6177-86	Nut M6	2	18	GB972-85	Washer 8	4
3	GB818-85	Screw M4×25	1	19	152FM-0203000	Shaft comp,inlet rocker arm	1
4	152FM-020100	Clip, tube assy	1	20	152FM-0200012	Valve, cone half	4
5	GB901-86	Stud M6×60	2	21	152FM-0200013	Shaft comp, EX rocker arm	1
6	152FM-0200002	Hexagon flange screw	2	22	152FM-0204000	Camshaft group	1
7	152FM-0200003	Gasket, insulator	1	23	152FM-0200014	Rocker arm, valve	2
8	152FM-0200004	Insulator, carburetor	1	24	152FM-0200015	Valve spring retainer	2
9	152FM-0202000	Intake tube assy	1	25	152FM-0205000	Valve oil seal assy	2
10	152FM-0200005	O ring 27×2.0	1	26	152FM-0200016	Valve EX	1
11	152FM-0200006	Spring, valve outer	2	27	GB901-86	Stud M8×32	2
12	152FM-0200007	Spring, valve inner	2	28	152FM-0206000	Cylinder head assy	1
13	152FM-0200008	Valve intake	1	29	152FM-0200017	Holder, camshaft	1
14	152FM-0200009	Nut,tappet adjusting	2	30	152FM-0207000	One-way brake assy	1
15	152FM-0200010	Screw, tappet adjusting	2	31	152FM-0200018	Spark plug	1
16	152FM-0200011	Retainer, valve spring	2	32	152FM-0000001	Gasket, cylinder head	1

F-3 CYLINDER



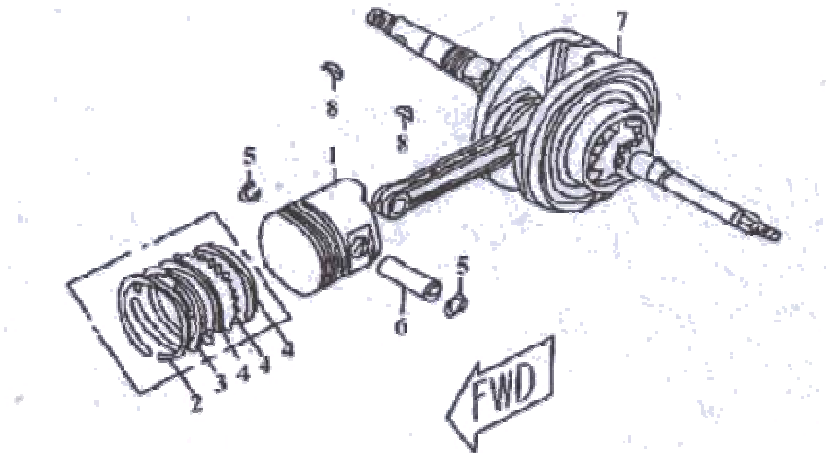
F-3 CYLINDER			
NO.	PART NO.	DESCRIPTION	Qty
1	152FM-0301000	Cylinder assy	1
2	GB5787-86	Bolt M6×20	2
3	152FM-0302000	Lifter assy, tensioner	1
4	152FM-0300001	Gasket, tensioner lifter	1
5	152FM-0300002	Cam chain screw	1
6	152FM-0300003	O-ring 15.2×1.5	1
7	152FM-0303000	Tensioner, chain	1
8	152FM-0304000	Chain, camshaft	1
9	152FM-0305000	Guide comp, chain	1
10	152FM-0300004	Pin dowel 10×16	2
11	GB5787-86	Bolt M6×12	1
12	GB95-85	Gasket 6	1
13	152FM-0000002	Washer, cylinder	1

F-4 CARBURETOR



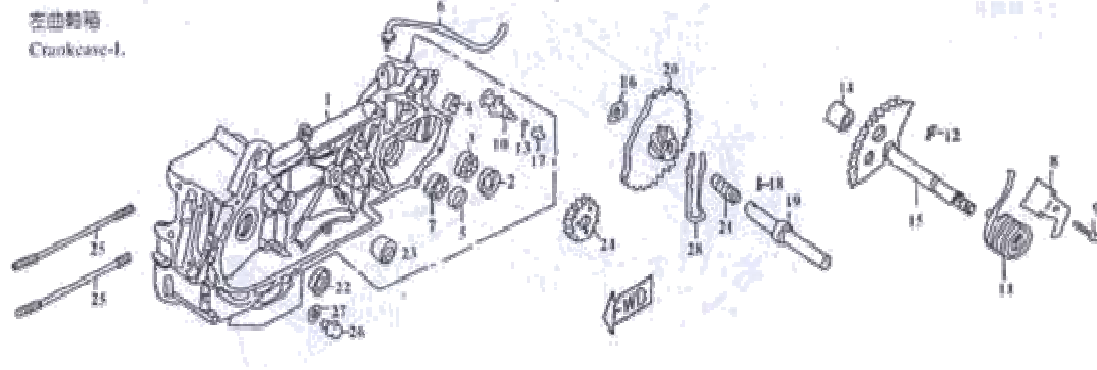
F-4 CARBURETOR			
NO.	PART NO.	DESCRIPTION	Q'ty
1	152FM-0401000	Carburetor	1
2	152FM-0400001	Joint 3 way	1
3	152FM-0400002	Clip, tube	3
4	152FM-0400003	Tube	1

F-5 CRANKSHAFT CONNECTING - ROD.PISTON



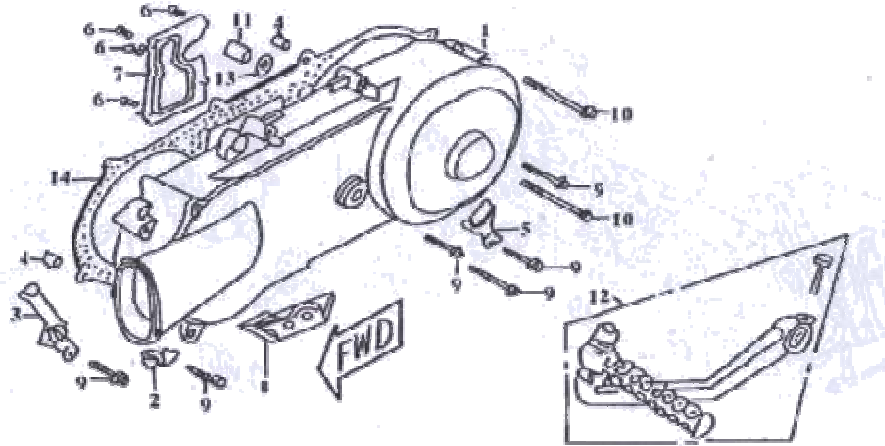
F-5 CRANKSHAFT.CONNECTING-ROD.PISTON			
NO.	PART NO.	DESCRIPTION	Q'ty
1	152FM-0900001	Piston	1
2	152FM-0900002	First piston ring	1
3	152FM-0900003	Second piston ring	1
4	152FM-0901000	Piston oil ring	1
5	152FM-0900004	Clip, piston pin	2
6	152FM-0900005	Piston pin	1
7	152FM-0902000	Crankshaft assy	1
8	152FM-0900006	Semicircular key	2

F-6 LEFT CRANKCASE



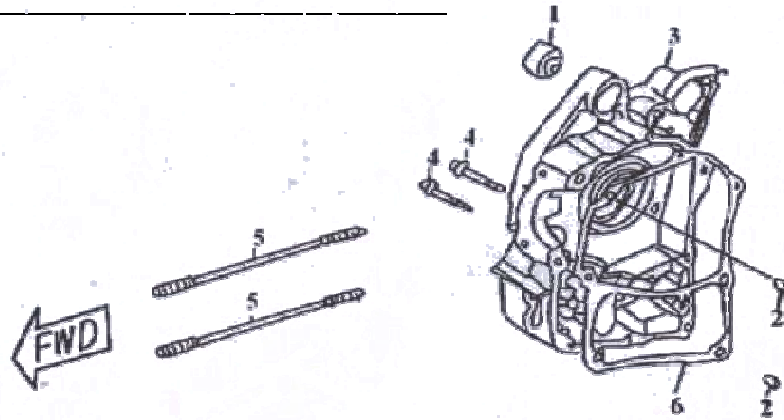
F-6 LEFT CRANKCASE							
NO.	PART NO.	DESCRIPTION	Q'ty	NO.	PART NO.	DESCRIPTION	Q'ty
1	152FM-0601000	Crankcase-L assy	1	16	152FM-0600007	Washer 12.5	1
2	152FM-0601001	Oil seal 27×42×7	1	17	152FM-0600008	Nut	1
4	152FM-0602000	Damper comp	1	18	GB119-86	Pin B3×8	1
6	152FM-0603000	Tube breather assy	1	19	152FM-0600009	Shaft, idle gear	1
8	152FM-0600002	Plate, kick return stopper	1	20	152FM-0606000	Idle gear	1
9	GB5787-86	Bolt M6×14	1	21	152FM-0600010	Spring, starter idle	1
10	152FM-0604000	Pin, brake shoe anchor assy	1	22	152FM-0600011	Oil seal 19.8×30×5	1
11	152FM-0600003	Sping, starting	1	23	152FM-0607000	Bush,engine hanger	1
12	152FM-0600004	Pin special	1	24	152FM-0600012	Gear, kick driven	1
13	152FM-0600005	O ring 7.5×1.5	1	25	152FM-0600013	Stud	2
14	152FM-0600006	Bush	1	26	152FM-0600014	Oil plug	1
15	152FM-0605000	Spindle comp, kick starter	1	27	152FM-0600015	Washer 12	1
				28	152FM-0600016	Sping, starter gear friction	1

F-7 LEFT CRANKCASE COVER



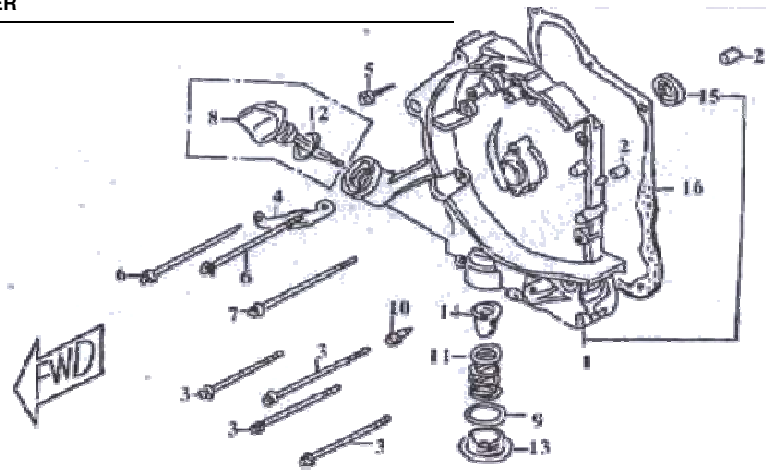
F-7 LEFT CRANKCASE COVER			
NO.	PART NO.	DESCRIPTION	Q'ty
1	152FM-1600001	Left crankcase cover	1
2	152FM-1600002	Clamp, overflow tube	1
3	152FM-1601000	Clamp, throttle cable	1
4	GB119-1600003	Pin dowel	2
5	152FM-1600004	Clamp, brake cable	1
6	GB845-85	Tapping screw ST4.2×8-C-H	4
7	152FM-1600005	Breather plate, L cover	1
8	152FM-1600006	Fixing stand	1
9	GB5787-86	Bolt M6×40	6
10	GB5787-86	Bolt M6×65	2
11	152FM-1600007	Bush, starter shaft	1
12	152FM-1602000	Kick starter assy	1
13	152FM-1600008	Gasket	1
14	152FM-0000006	Washer,L cover	1

F-8 RIGHT CRANKCASE



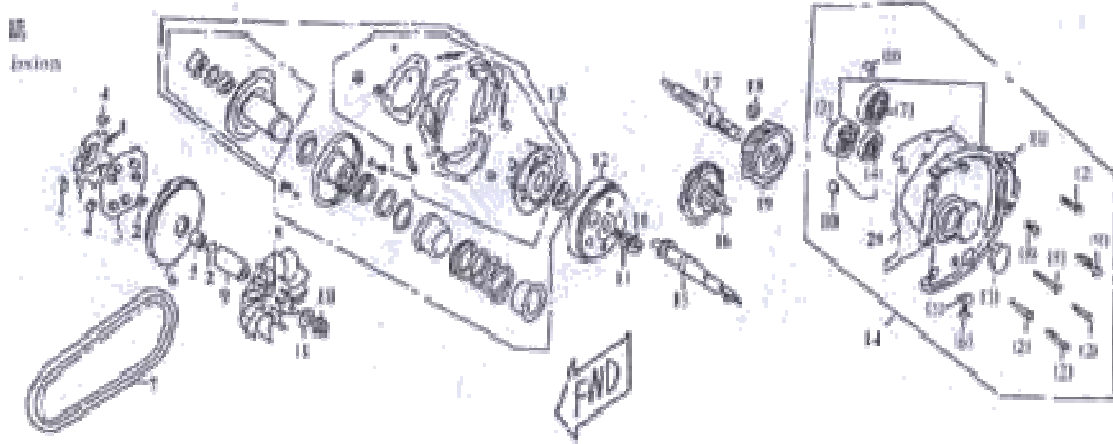
F-8 RIGHT CRANKCASE			
NO.	PART NO.	DESCRIPTION	Q'ty
1	152FM-1001000	Bush, engine hanger	1
2	152FM-1000001	Pin 8x14	2
3	152FM-1002000	Crankcase R assy	1
4	GB5787-86	Bolt M6x50	2
5	152FM-1000002	Stud	2
6	152FM-000004	Washer,crankcase R	1

F-9 RIGHT CRANKCASE COVER



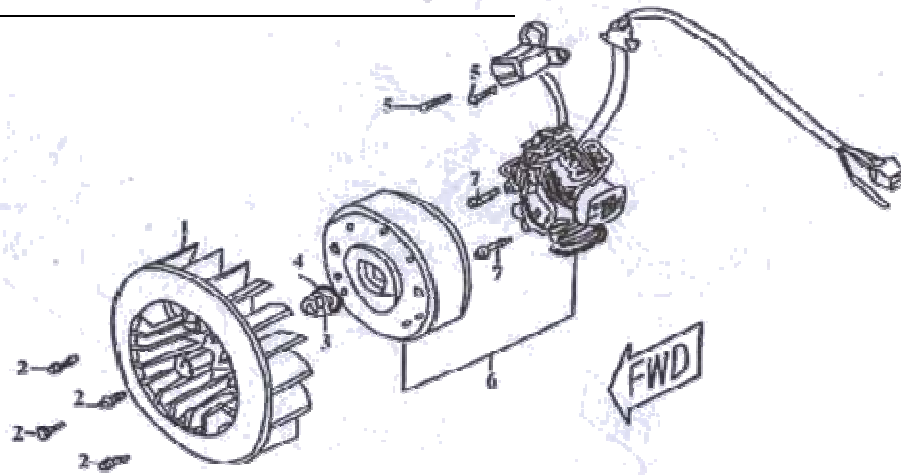
F-9 RIGHT CRANKCASE COVER			
NO.	PART NO.	DESCRIPTION	Q'ty
1	152FM-1300001	Right crankcase cover	1
2	152FM-1300002	Pin dowel	2
3	GB5787-86	Bolt M6×95	4
4	152FM-1300003	Clamp, magneto	1
5	GB5787-86	Bolt M6×40	1
6	GB5787-86	Bolt M6×110	2
7	GB5787-86	Bolt M6×100	1
8	152FM-1300004	Oil dip stick	1
9	152FM-1300005	O ring 30.8	1
10	GB5787-86	Bolt M6×32	1
11	152FM-1300006	Spring, oil filter mesh	1
12	152FM-1300007	O ring 18×3	1
13	152FM-1300008	Cover, oil filter mesh	1
14	152FM-1301000	Mesh, oil filter	1
15	152FM-1300009	Oil seal 19.8×30×5	1
16	152FM-0000003	Washer, R crankcase cover	1

F-10 TRANSMISSION



F-10 TRANSMISSION							
NO.	PART NO.	DESCRIPTION	Q'ty	NO.	PART NO.	DESCRIPTION	Q'ty
1	152FM-1500001	Ramp plate	1	(3)	GB292-83	Bearing 36204	1
2	152FM-1500002	Clip	2	(4)	GB292-83	Bearing 36202	1
3	152FM-1501000	Roller	6	(5)	GB95-85	Washer 8	1
4	152FM-1500003	Side piece, ramp plate	3	(6)	GB5787-86	Bolt M8×12	1
5	152FM-1500004	Collar, driven face	1	(7)	GB292-83	Bearing 36203	1
6	152FM-1500005	Face comp,movable driven	1	(8)	152FM-1503002	Special nut M8×12	1
7	152FM-1500006	Driven belt	1	(9)	GB5787-86	Bolt M6×35	2
8	152FM-1500007	Driven face	1	(10)	152FM-1504003	Pin dowel 8×14	2
9	152FM-1500008	Bush, driven face	1	(11)	152FN-1504004	Gear box cover	1
10	GB6181-86	Nut M12×1.25	2	15	152FM-1500010	Driven shaft	1
11	152FM-1500009	Washer	2	16	152FM-1505000	Countershaft comp	1
12	152FM-1502000	Outer, clutch	1	17	152FM-1500011	Final shaft	1
13	152FM-1503000	Driven pulley assy	1	18	GB8941-86	Circlip 20	1
14	152FM-1504000	Gear box cover assy	1	19	152FM-1500012	Final gear	1
(1)	152FM-1504001	Oil seal 20×32×6	1	20	152FM-0000005	Gasket	1
(2)	GB5787-86	Bolt M6×28	4				

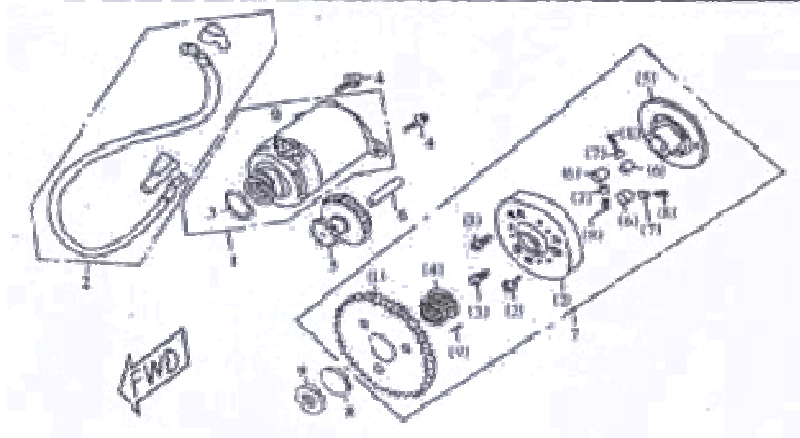
F-11 GENERATOR



F-11 GENERATOR

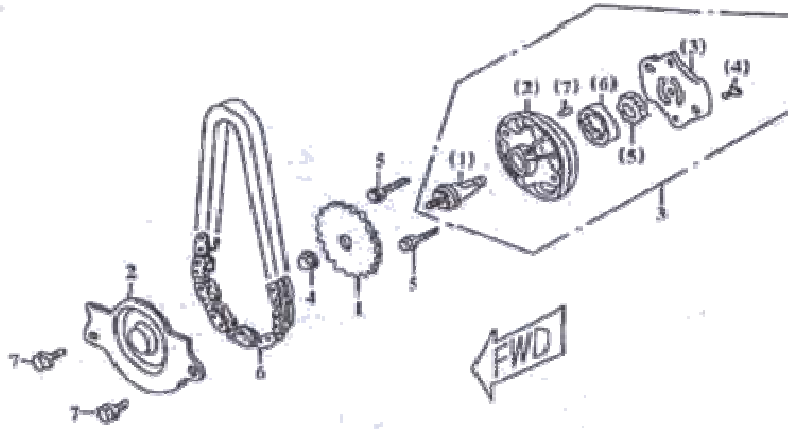
NO.	PART NO.	DESCRIPTION	Q'ty
1	152FM-1101000	Cooling fan comp	1
2	GB5787-86	Bolt M6×18	4
3	152FM-1100001	Nut M12	1
4	152FM-1100002	Washer	1
5	GB5781-86	Bolt M5×12	2
6	152FM-1102000	Magneto assy	1
7	GB5787-86	Bolt M6×20	2

F-12 STARTING MOTOR



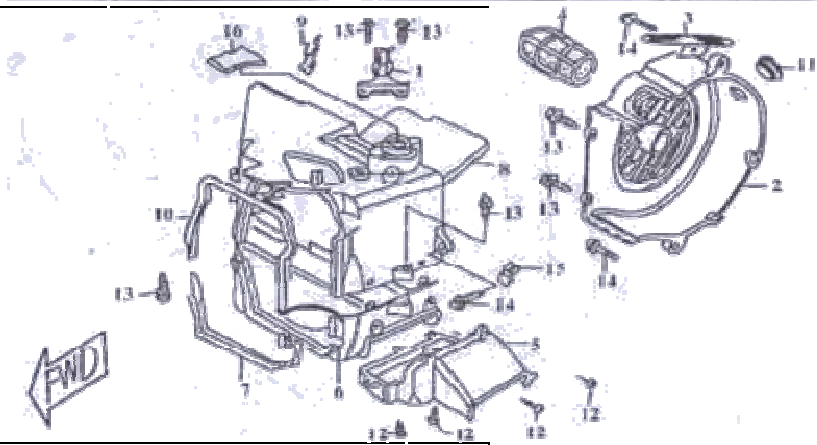
F-12 STARTING MOTOR			
NO.	PART NO.	DESCRIPTION	Q'ty
1	152FM-1201000	Starting motor assy	1
2	152FM-1201001	Cable, starting motor assy	1
3	152FM-1201002	O ring	1
4	GB5787-86	Bolt M6×16	2
5	152FM-1200001	Gear, starter reduction	1
6	152FM-1200002	Shaft,starter reduction gear	1
7	152FM-1202000	Clutch assy	1
(1)	152FM-1202100	Gear, clutch assy	1
(2)	152FM-1202200	Outer comp, clutch assy	1
(3)	GB70-85	Screw M6×12	3
(4)	152FM-1202001	Needle bearing	1
(5)	152FM-1202002	Flange clutch assy	1
(6)	152FM-1202003	Roller	3
(7)	152FM-1202004	Cap,spring	3
(8)	152FM-1202005	Roller spring	3
(9)	152FM-1202006	Pin dowel	1
8	152FM-1200003	Washer	1
9	152FM-1200004	Locked nut	1

F-13 OIL PUMP



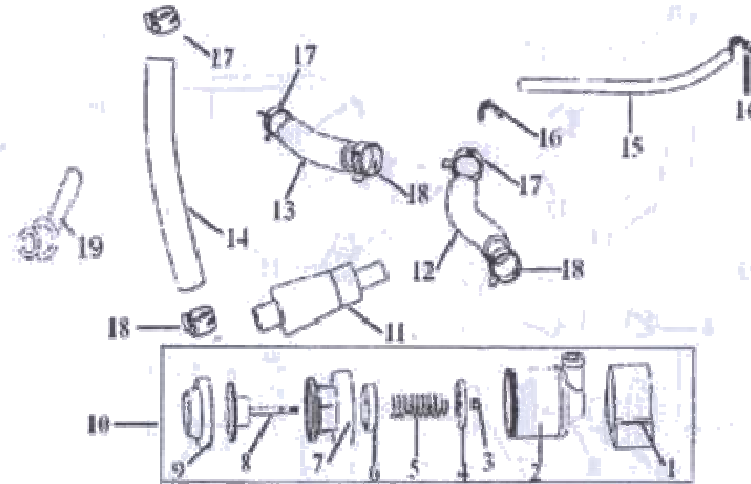
F-13 OIL PUMP			
NO.	PART NO.	DESCRIPTION	Q'ty
1	152FM-1400001	Driven sprocket	1
2	152FM-1400002	Oil pump separator	1
3	152FM-1401000	Oil pump assy	1
(1)	152FM-1401001	Shaft, oil pump	1
(2)	152FM-1401002	Body, oil pump	1
(3)	152FM-140100	Cover, oil pump	1
(4)	GB818-85	Screw M3×10	1
(5)	152FM-1401004	Rotor,oil pump inner	1
(6)	152FM-1401005	Rotor,oil pump outer	1
(7)	GB119-86	Pin B4×8	1
4	GB6117-86	Nut M6	2
5	GB5787-86	Bolt M6×25	2
6	152FM-1400003	Chain, oil pump	1
7	GB5787-86	Bolt M6×12	2

F-14 FAN COVER. ENGINEER COVER



F-14 FAN COVER. ENGINEER COVER			
NO.	PART NO.	DESCRIPTION	Q'ty
1	152FM-0501000	Clamp, breather tube assy	1
2	152FM-0502000	Cover comp, fan assy	1
3	152FM-0500001	Clamp, starter cable	1
4	152FM-0500002	Duct, carburetor cable	1
5	152FM-0500003	Duct shroud	1
6	152FM-0500004	Cover A	1
7	152FM-0500005	Oil seal,cover A	1
8	152FM-0503000	Cover B	1
9	152FM-0500006	Clip, high tension cord	1
10	152FM-0500007	Oil seal,cover B	1
11	152FM-0500008	Rubber plug A	1
12	GB845-85	Screw ST4.8×6-C-H	4
13	GB845-85	Screw ST4.8×B-C-H	6
14	GB5787-86	Bolt M6×25	3
15	152FM-0500009	Clamp, overflow tube	1
16	152FM-0500010	Rubber plug B	1

F-15 VALVE



F-15 VALVE			
NO.	PART NO.	DESCRIPTION	Q'ty
1	157QMJ-1701001	Rubber sleeve	1
2	157QMJ-1701002	Below chamber	1
3	GB6177-86	Nut M3	1
4	157QMJ-1701003	Piston	1
5	157QMJ-1701004	Spring	1
6	157QMJ-1701005	Rubber washer	1
7	157QMJ-1701006	Upper chamber	1
8	157QMJ-1701007	Piston rod	1
9	157QMJ-1701008	Chamber cover	1
10	157QMJ-1701000	Valve	1
11	157QMJ-1702001	Filter	1
12	157QMJ-1702002	Tube A	1
13	157QMJ-1702003	Tube B	1
14	157QMJ-1702004	Tube C	1
15	157QMJ-1702005	Tube breather	1
16	157QMJ-1702006	Clip	2
17	157QMJ-1702007	Clip, tube Φ16	2
18	157QMJ-1702008	Clip, tube Φ18	2
19	157QMJ-1702009	Joint	1