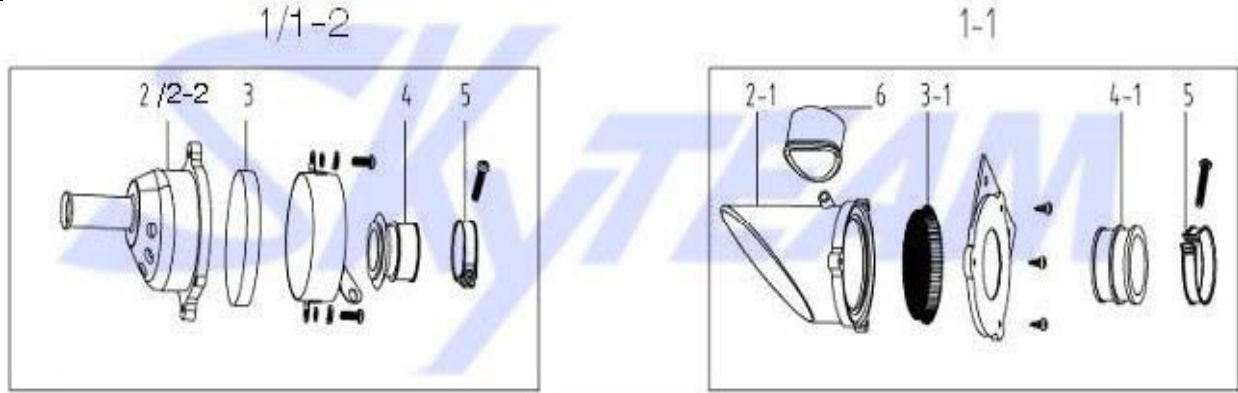


## CHAPPY (ST125-15/ST50-15A) PARTS CATALOGUE

Ref	Part Number	Part Name	零件名称	QTY	Salable	ST125-15 (Manual)	ST125-15A (Semi Auto)
-----	-------------	-----------	------	-----	---------	----------------------	--------------------------

### FIG.1 CLEANER

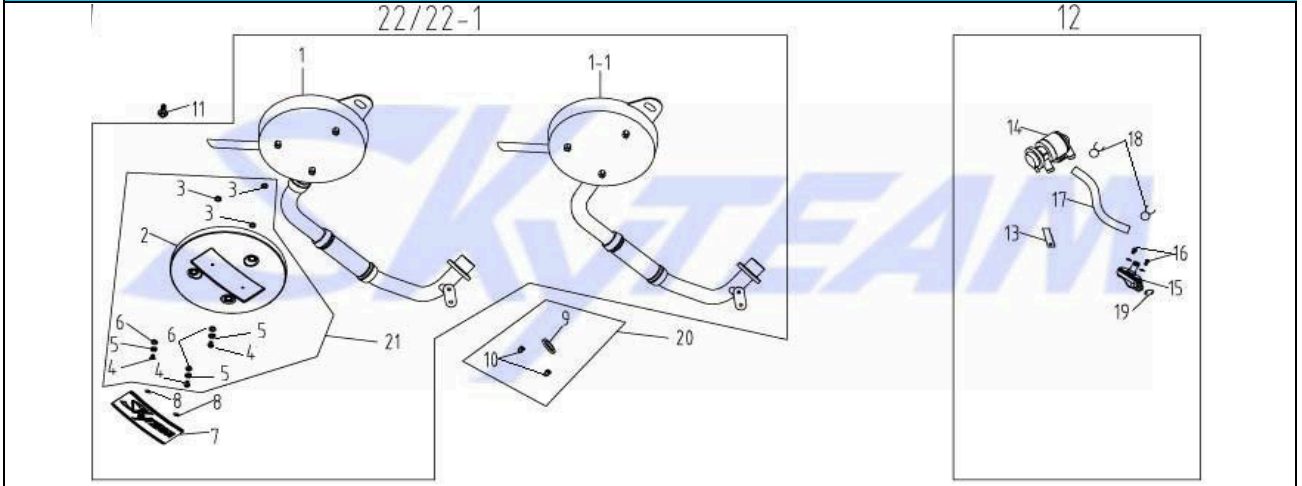


1-1	13700-16H20	Air Cleaner Assy	空气滤清器总成	1	√	√	√
2-1	13710-16H10	Air Cleaner Body	空气滤清器本体	1	\	√	√
3-1	13725-16H10	Element, Air Cleaner	空滤器滤芯	1	√	√	√
4-1	13723-16H10	Outlet Tube , Air Cleaner	空滤器出气管	1	\	√	√
5	13711-Y1000	Clip, Air Cleaner	空滤器卡箍	1	\	√	√
6	13727-16H10	Inlet Tube, Air Cleaner	空滤器进气管	1	\	√	√

# CHAPPY (ST125-15/ST50-15A) PARTS CATALOGUE

Ref	Part Number	Part Name	零件名称	QTY	Salable	ST125-15 (Manual)	ST125-15A (Semi Auto)
-----	-------------	-----------	------	-----	---------	----------------------	--------------------------

**FIG.2 MUFFLER**

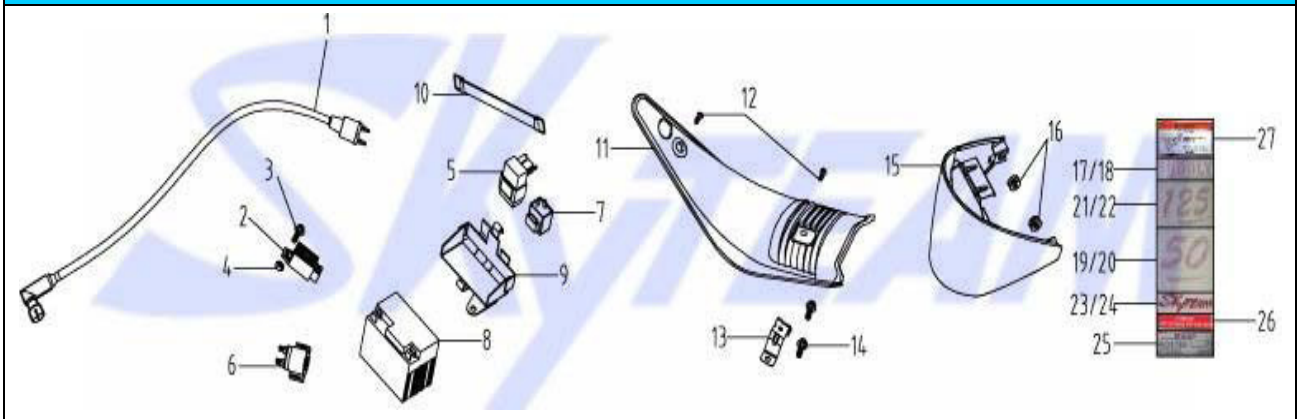


1-1	14300-25H00	Muffler Comp	消音器组件	1	√	√	√
2	14301-15A00	Cover, Muffler	消音器装饰盖	1	√	√	√
3	14311-Y1030	Insulator Gasket	隔热垫片	6	√	√	√
4	GB/T 818 M6×10-Zn.DB	Screw	十字槽盘头螺钉	3	√	√	√
5	GB 859 6-Zn.DB	Spring Washer	轻型弹簧垫圈	3	√	√	√
6	GB 97.1 6-140HV-Zn.DB	Washer	平垫圈	3	√	√	√
7	14783-20A00	Emblem, Muffler Cover	消音器装饰牌	1	√	√	√
8	92182-20A00	Circlip	卡簧	2	√	√	√
9	14360-Z1000	Gasket, Exhaust Pipe	排气管密封垫	1	√	√	√
10	14370-Z1000	Nut	盖形螺母	2	√	√	√
11	GB/T 16674 M8×16-Zn.DB	Flange Bolt	六角法兰面螺栓	1	√	√	√
12	13790-17H00	Secondary Air System	二次补气系统	1	√	√	√
13	13791-14A00	Holder, Small Air Filter	小空滤器支架	1	√	√	√
14	13710-Z1000	Small Air Filter	小空滤器	1	√	√	√
15	13720-Z1000	One-Way Valve	单向阀	1	√	√	√
16	GB/T 818 M6×16-Zn.DB	Screw	十字槽盘头螺钉	2	√	√	√
17	13730-14A00	Rubber Hose	橡胶管	1	√	√	√
18	13750-14A00	Clip	管夹	2	√	√	√
19	13740-Z1000	Graphite Gasket	石墨垫片	1	√	√	√
20	14370-10AP0	Set, Gasket and Nut	密封垫盖形螺母组合	1	√	√	√
21	14301-20AP0	Cover, Muffler	消音器装饰盖	1	√	√	√
22-1	14300-25HP0	Muffler Assy	消音器总成	1	√	√	√

## CHAPPY (ST125-15/ST50-15A) PARTS CATALOGUE

Ref	Part Number	Part Name	零件名称	QTY	Salable	ST125-15 (Manual)	ST125-15A (Semi Auto)
-----	-------------	-----------	------	-----	---------	----------------------	--------------------------

**FIG.3 FRAME COVER,ELECTRICAL**

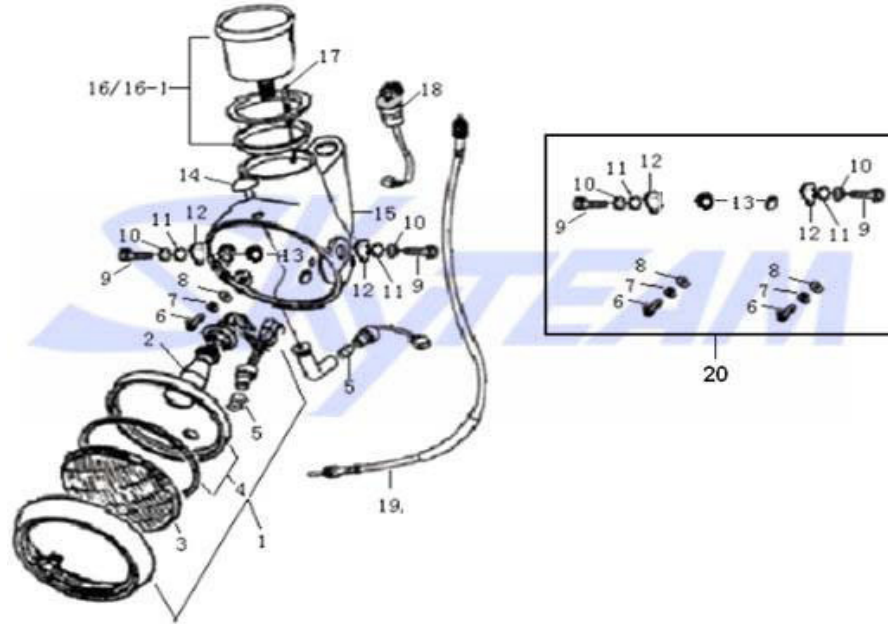


1	33400-14A00	Ignition Coil	点火线圈	1	√	√	√
2	32800-Z1000	Rectifier Assy	稳压整流器	1	√	√	√
3	GB/T 16674 M6×16-Zn.DB	Flange Bolt	六角法兰面螺栓	1	√	√	√
4	GB6177.1 M6-Zn.DB	Flange Nut	六角法兰面螺母	1	√	√	√
5	38620-Y1000	Flash Relay	闪光器	1	√	√	√
6	31800-Y1000	Start Relay	启动继电器	1	√	√	√
7	32900-16H00	Cdi Unit	点火器(CDI)	1	√	√	√
8	33610-15A00	Battery	蓄电池	1	√	√	√
9	41129-20A00	Holder,Electrical Parts	电零件支架	1	√	√	√
10	33629-Y1000	Band, Battery	蓄电池攀带	1	√	√	√
11	47312-20A00	Upper Cover, Frame	车架上盖板	1	√	√	√
12	02142-06163	Screw	螺钉	2	√	√	√
13	41910-20A00	Bracket, Frame Upper Cover	前中心盖板支架	1	√	√	√
14	GB/T 16674 M8×16-Zn.DB	Flange Bolt	六角法兰面螺栓	2	√	√	√
15	47311-20A00	Front Cover, Seat	座垫前部挡板	1	√	√	√
16	47911-20A00	Grommet	座垫前部挡板缓冲圈	2	√	√	√
17	89046-20A00	BUBBLY Sticker, Red	BUBBLY贴花(红)	2	√	√	√
18	89046-20A10	BUBBLY Sticker, White	BUBBLY贴花(白)	2	√	√	√
21	89011-25H00	125 Model Decal, Red	125型号贴花(红色)	1	√	√	√
22	89011-25H10	125 Model Decal, White	125型号贴花(白色)	1	√	√	√
23	89015-20A00	Skyteam Sticker, Red	Skyteam贴花(红)	1	√	√	√
24	89015-20A10	Skyteam Sticker, White	Skyteam贴花(白)	1	√	√	√
25	89005-20A00	Warning Sticker, Chain Adjust	链条调节警示贴花	1	√	√	√
26	89006-20A00	Warning Sticker, Chain Safety	链条安全警示贴花	1	√	√	√
27	89003-15H00	Warning Sticker, Oil Tank	油箱警示标贴	1	√	√	√

## CHAPPY (ST125-15/ST50-15A) PARTS CATALOGUE

Ref	Part Number	Part Name	零件名称	QTY	Salable	ST125-15 (Manual)	ST125-15A (Semi Auto)
-----	-------------	-----------	------	-----	---------	----------------------	--------------------------

**FIG.4 HEADLAMP SPEEDOMETER**

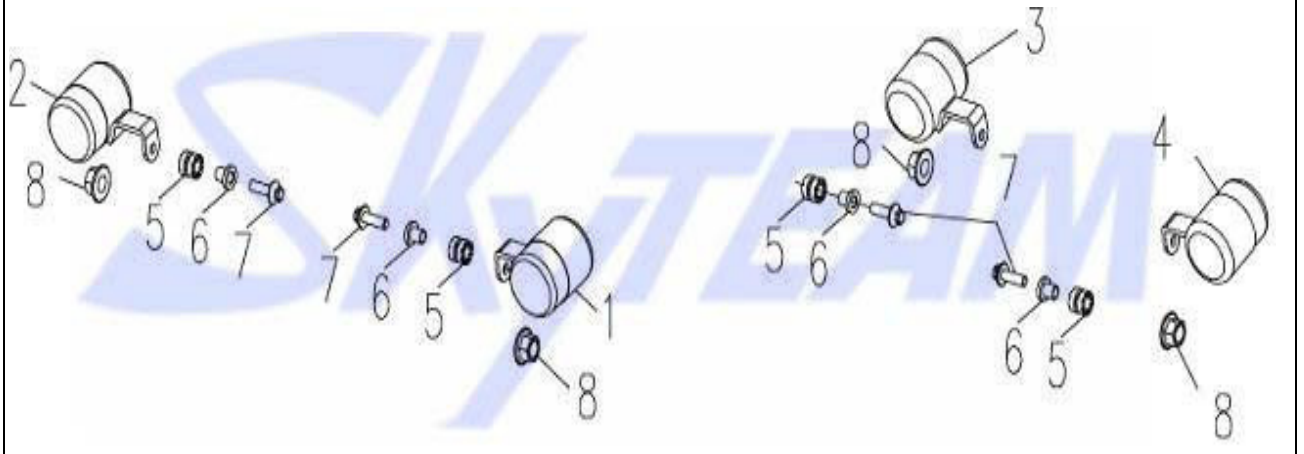


1	35100-10A00	Headlamp Assy	前大灯总成	1	√	√	√
2	35107-Y1000	Bulb	前大灯灯泡	1	√	√	√
3	35102-10A00	Lens, Headlamp	前大灯灯罩	1	\	√	√
4	35101-10A00	Housing, Headlamp	前大灯框架	1	\	√	√
5	35106-Y1000	Bulb	灯泡	2	√	√	√
6	GB/T 820 M5×16-Zn.DB	Screw	十字槽半沉头螺钉	2	√	√	√
7	GB 859 5-Zn.DB	Spring Washer	轻型弹簧垫圈	2	√	√	√
8	GB 97.1 5-140HV-Zn.DB	Washer	平垫圈	2	√	√	√
9	35123-14A00	Bolt	大灯壳螺栓	2	√	√	√
10	GB 859 8-Zn.DB	Spring Washer	轻型弹簧垫圈	2	√	√	√
11	GB 97.1 8-140HV-Zn.DB	Washer	平垫圈	2	√	√	√
12	35122-14A00	Cushion, Headlamp Housing	大灯壳缓冲垫	2	√	√	√
13	35124-14A00	Nut	大灯壳螺母	2	√	√	√
14	35109-15A00	Lens, Neutral Indicator	空档指示镜	1	√	√	√
15	35130-15A00	Housing, Headlamp ( Color )	前大灯灯壳	1	√	√	√
16-1	34100-15G00	Speedometer	车速里程表	1	\	√	√
17	34103-15A00	Spring	固定仪表弹簧	1	√	√	√
18	37100-15A00	Ignition Switch	电锁开关	1	\	√	√
19	58200-10A00	Cable, Speedometer	里程表软轴	1	√	√	√
20	35123-15AP0	Set, Head Lamp Housing	大灯壳安装组合	1	√	√	√

## CHAPPY (ST125-15/ST50-15A) PARTS CATALOGUE

Ref	Part Number	Part Name	零件名称	QTY	Salable	ST125-15 (Manual)	ST125-15A (Semi Auto)
-----	-------------	-----------	------	-----	---------	----------------------	--------------------------

**FIG. 5 TURN SIGNAL LAMP**

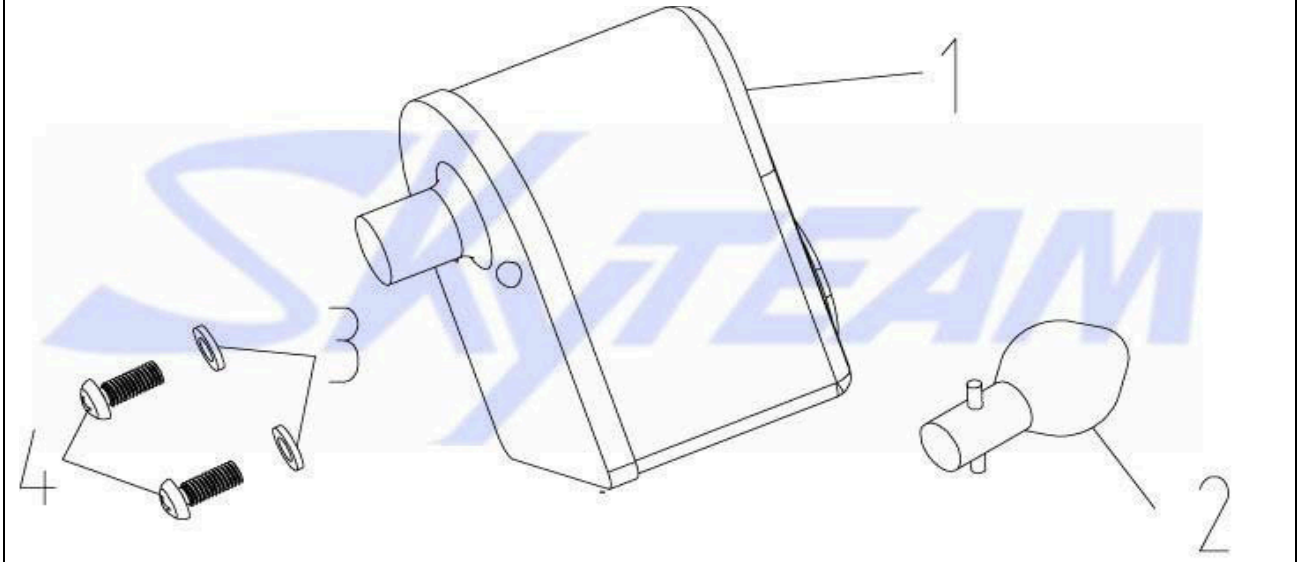


1	35210-17H00	Signal Lamp Assy, Front, Lh	左前转向灯总成	1	√	√	√
2	35310-17H00	Signal Lamp Assy, Front, Rh	右前转向灯总成	1	√	√	√
3	35410-17H00	Signal Lamp Assy, Rear, Lh (L)	左后转向灯总成(用于右后)	1	√	√	√
4	35510-17H00	Signal Lamp Assy, Rear, Rh (R)	右后转向灯总成(用于左后)	1	√	√	√
5	35608-17H00	Cushion	转向灯过渡胶套	4	√	√	√
6	35609-17H00	Bush	衬套	4	√	√	√
7	GB/T 16674 M6x20-Zn.DB	Flange Bolt	六角法兰面螺栓	4	√	√	√
8	GB/T 6187.1 M6-Zn.DB	Flange Nut	六角法兰面自锁螺母	4	√	√	√

## CHAPPY (ST125-15/ST50-15A) PARTS CATALOGUE

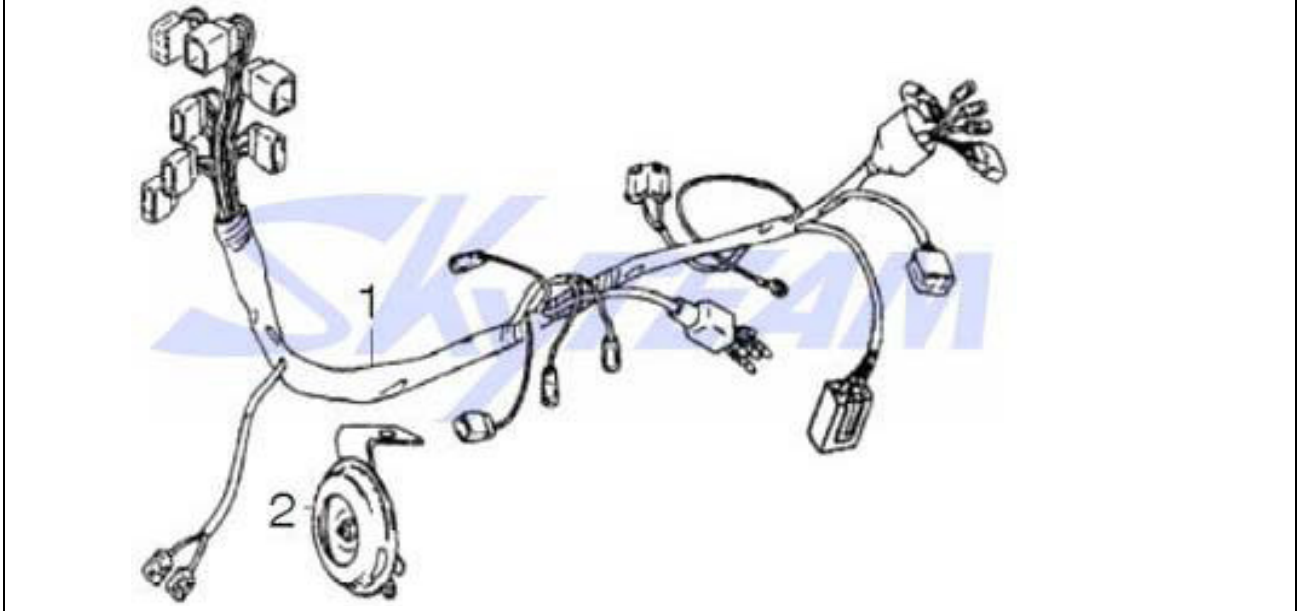
Ref	Part Number	Part Name	零件名称	QTY	Salable	ST125-15 (Manual)	ST125-15A (Semi Auto)
-----	-------------	-----------	------	-----	---------	----------------------	--------------------------

**FIG. 6 TAIL LAMP**



1	35710-17H00	Tail Lamp Assy (Ellipse)	尾灯总成	1	√	√	√
2	35711-Y1000	Bulb, Tail Lamp	尾灯灯泡	1	√	√	√
3	GB 97.1 5-140HV-Zn.DB	Washer	平垫圈	2	√	√	√
4	GB/T 818 M5×16-Zn.DB	Bolt	十字槽盘头螺钉	2	√	√	√

**FIG. 7 WIRING HARNESS**



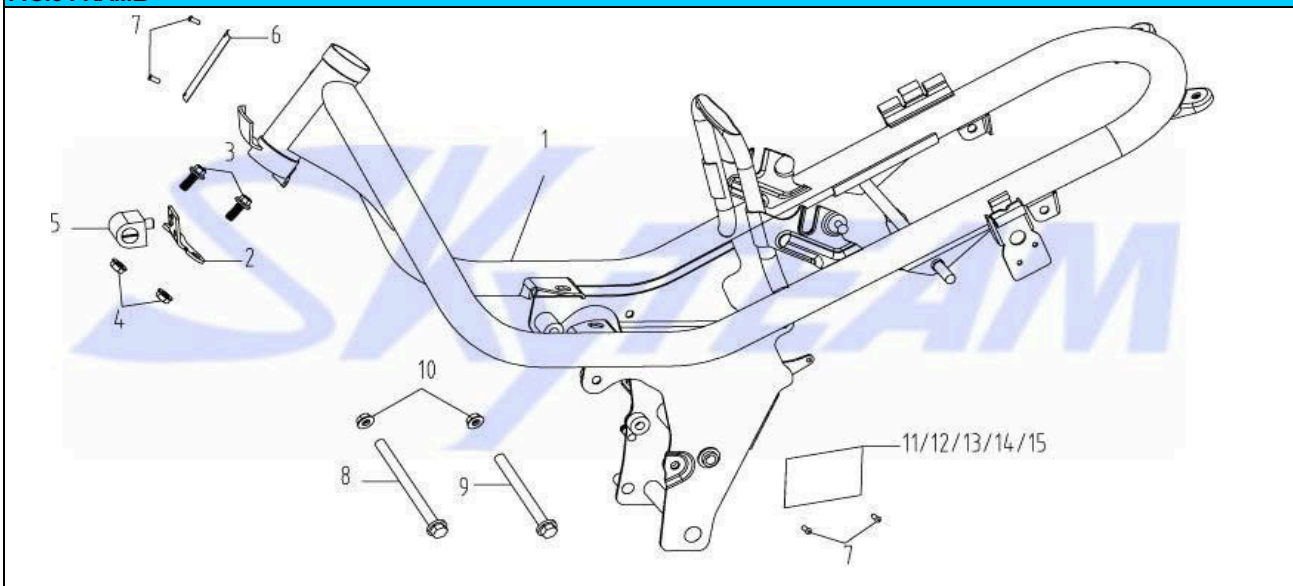
1	36610-20A00	Wire Harness Assy	导线束总成	1	√	√	√
2	38500-15A00	Horn Assy	喇叭	1	√	√	√



## CHAPPY (ST125-15/ST50-15A) PARTS CATALOGUE

Ref	Part Number	Part Name	零件名称	QTY	Salable	ST125-15 (Manual)	ST125-15A (Semi Auto)
-----	-------------	-----------	------	-----	---------	----------------------	--------------------------

**FIG.8 FRAME**

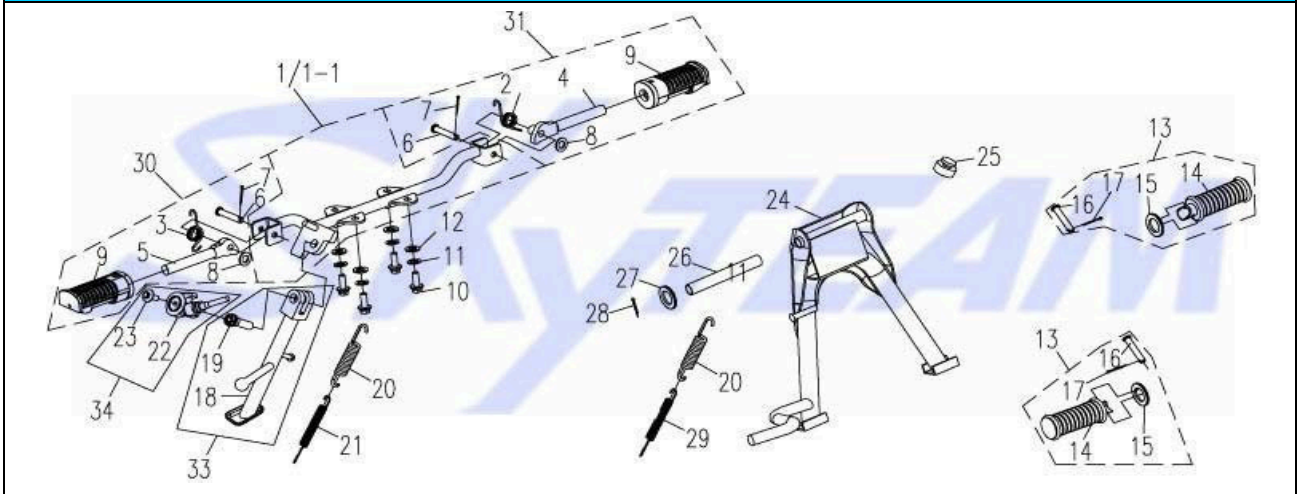


1	41100-20A00	Frame Comp	车架组件	1	√	√	√
2	46720-20A00	Lock Block	车头锁座	1	√	√	√
3	GB/T 5783 M6×35-Zn.DB	Bolt	六角法兰面螺栓	2	√	√	√
4	GB/T 6187.1 M6-Zn.DB	Nut	六角法兰面自锁螺母	2	√	√	√
5	37300-16H10	Steering Lock Assy	车头锁	1	√	√	√
6	68711-15H00	Vin Plate	铭牌	1	√	√	√
7	GB 12618 3.2×11	Rivet	抽芯铆钉	4	√	√	√
8	09111-20A00	Bolt	发动机上安装螺栓	1	√	√	√
9	09112-14A10	Bolt	螺栓	1	√	√	√
10	GB/T 6187.1 M8-Zn.DB	Flange Nut	六角法兰面自锁螺母	2	√	√	√
15	64712-25H00	Anti-Tempering Plate	防改装标牌	1	√	√	√

# CHAPPY (ST125-15/ST50-15A) PARTS CATALOGUE

Ref	Part Number	Part Name	零件名称	QTY	Salable	ST125-15 (Manual)	ST125-15A (Semi Auto)
-----	-------------	-----------	------	-----	---------	----------------------	--------------------------

**FIG.9 Footrest Bar Stand**



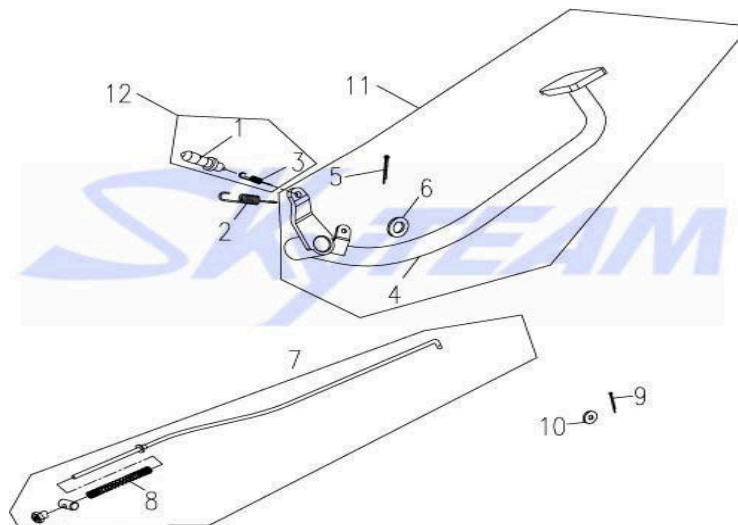
1	43510-14A10	Front Footrest Assy	前脚踏支架总成	1	√	√	
1-1	43510-14A20	Front Footrest Assy	前脚踏支架总成	1	√		√
2	43514-Z1000	Return Spring, L	左脚踏回位弹簧	1	√	√	√
3	43513-Z1000	Return Spring, R	右脚踏回位弹簧	1	√	√	√
4	43515-Z1000	Footrest Rod, L	左前脚踏杆	1	√	√	√
5	43512-Z1000	Footrest Rod, R	右前脚踏杆	1	√	√	√
6	GB 882 B8×35-Zn.DB	Pin	销轴	2	√	√	√
7	GB/T 91 2×20-Zn.DB	Cotter Pin	开口销	2	√	√	√
8	GB 96 8-140HV-Zn.DB	Washer	大垫圈	2	√	√	√
9	43511-Z1000	Rubber, Front Footrest	前脚踏皮	2	√	√	√
10	GB/T 16674 M8×20-Zn.DB	Flange Bolt	六角法兰面螺栓	4	√	√	√
11	GB 859 8-Zn.DB	Spring Washer	轻型弹簧垫圈	4	√	√	√
12	GB 97.1 8-140HV-Zn.DB	Washer	平垫圈	4	√	√	√
13	43730-21H00	Rear Footrest Pedal Assy	后脚踏总成	2	√	√	√
14	43731-21H00	Rubber, Footrest	脚踏皮	2	√	√	√
15	GB/T 848 20-Zn.DB	Washer	垫圈	2	√	√	√
16	GB882 B6×35-Zn-DB	Pin	销轴	2	√	√	√
17	GB/T 91 2×28-Zn.DB	Cotter Pin	开口销	2	√	√	√
18	42310-16H00	Side Stand	单撑组件	1	√	√	√
19	42311-Y1000	Bolt	单撑螺栓 ( 内螺纹 )	1	√	√	√
20	42312-Z1000	Outer Spring, Side Stand	单撑外弹簧	1	√	√	√
21	42321-Z1000	Inner Spring, Side Stand	单撑内弹簧	1	√	√	√
22	42313-Y1000	Switch, Side Stand	单撑开关	1	√	√	√
23	42315-Y1000	Bolt, Side Stand Switch	单撑开关螺栓	1	√	√	√
24	42100-14A10	Center Stand	中撑组件	1	√	√	√
25	42222-14A00	Cushion, Stand Center	中撑缓冲垫	1	√	√	√
26	42211-14A00	Shaft, Center Stand	中撑轴	1	√	√	√
27	GB 97.1 17-140HV-Zn.DB	Washer	平垫圈	1	√	√	√
28	GB/T 91 3.2×25-Zn.DB	Cotter Pin	开口销	1	√	√	√
20	42312-Z1000	Outer Spring, Side Stand	单撑外弹簧 ( 用于中撑 )	1	√	√	√
29	42232-14A00	Inner Spring	中撑内弹簧	1	√	√	√
30	43560-Z1000	Left Footrest Assy, Front	前左脚踏总成	1	√	√	√
31	43550-Z1000	Right Footrest Assy, Front	前右脚踏总成	1	√	√	√
33	42310-16HP0	Set, Side Stand Assembly	单撑装配组合	1	√	√	√
34	42313-15HP0	Set, Side Stand Switch Assem	单撑开关装配组合	1	√	√	√



## CHAPPY (ST125-15/ST50-15A) PARTS CATALOGUE

Ref	Part Number	Part Name	零件名称	QTY	Salable	ST125-15 (Manual)	ST125-15A (Semi Auto)
-----	-------------	-----------	------	-----	---------	----------------------	--------------------------

**FIG.10 PEDAL BRAKE**

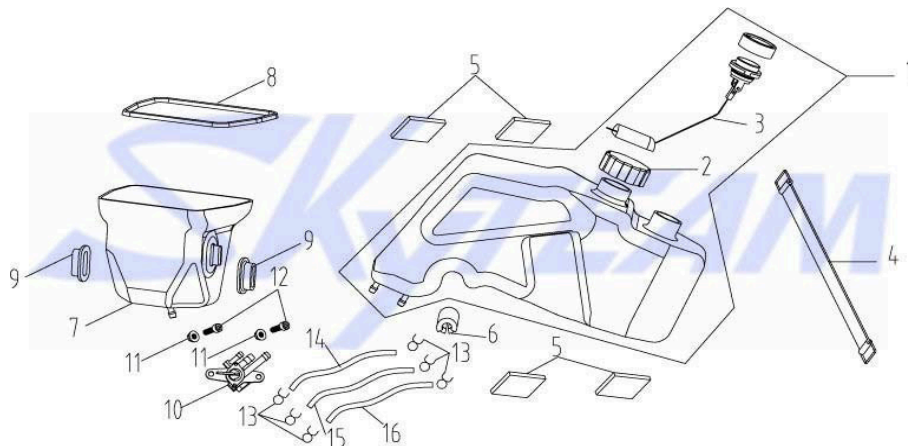


1	37750-Z1000	Brake Switch Assy	后刹开关	1	√	√	√
2	37741-15A00	Spring, Rear Brake Switch	后刹车开关弹簧	1	√	√	√
3	43322-16H10	Return Spring	刹车回位弹簧	1	√	√	√
4	43110-20A00	Brake Pedal	制动踏板组件	1	√	√	√
5	GB/T 91 3.2×26-Zn.DB	Cotter Pin	开口销	1	√	√	√
6	GB/T 97.1 14-140HV-Zn.DB	Washer	垫圈	1	√	√	√
7	43300-20A00	Brake Rod Assy	后制动拉杆总成	1	√	√	√
8	43315-15A00	Spring	调节弹簧	1	√	√	√
9	GB/T 91 1.6×16-Zn.DB	Cotter Pin	开口销	1	√	√	√
10	GB 97.1 5-140HV-Zn.DB	Washer	平垫圈	1	√	√	√
11	43110-15AP0	Brake Pedal	制动踏板组合	1	√	√	√
12	37750-10AP0	Set, Rear Brake Switch Assen	后刹开关装配组合	1	√	√	√

## CHAPPY (ST125-15/ST50-15A) PARTS CATALOGUE

Ref	Part Number	Part Name	零件名称	QTY	Salable	ST125-15 (Manual)	ST125-15A (Semi Auto)
-----	-------------	-----------	------	-----	---------	----------------------	--------------------------

**FIG.11 FUEL TANK**

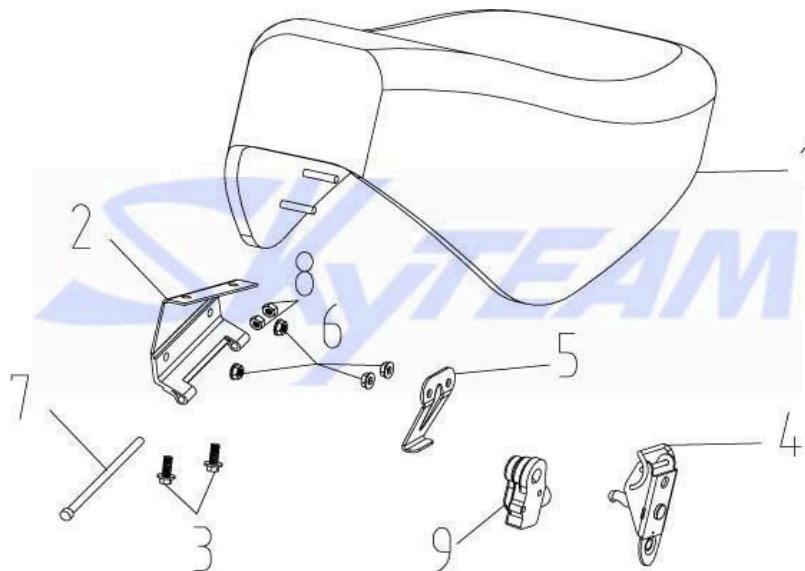


1	44110-20A00	Fuel Tank Comp	燃油箱组件	1	√	√	√
2	37300-15A00	Fuel Tank Cap	油箱盖	1	√	√	√
3	34810-20A00	Fuel Level Gauge	油位计总成	1	√	√	√
4	44511-20A00	Band , Fuel Tank	燃油箱攀带	1	√	√	√
5	44102-Y1000	Rubber Pad	缓冲垫	4	√	√	√
6	44512-20A00	Damper , Fuel Tank	油箱安装缓冲垫	1	√	√	√
7	44610-20A00	Oil Tank	机油箱	1	√	√	√
8	44123-Z1000	Side Protector	油箱侧缓冲垫 ( 480mm )	1	√	√	√
9	44811-20A00	Damper , Oil Tank	机油箱安装缓冲圈	1	√	√	√
10	44300-Z1000	Fuel Cock	油箱开关	1	√	√	√
11	GB/T 70.1 M6×20-Zn.DB	Screw	内六角圆柱头螺钉	2	√	√	√
12	GB6170 M6-Zn.DB	Flange Bolt	六角法兰面螺母	1	√	√	√
13	44125-Z1000	ClipG	油管夹	6	√	√	√
14	44411-20A00	Fuel Hose	油管	1	√	√	√
15	44412-20A00	Fuel Hose	油管	1	√	√	√
16	44413-20A00	Fuel Hose	油管	1	√	√	√

## CHAPPY (ST125-15/ST50-15A) PARTS CATALOGUE

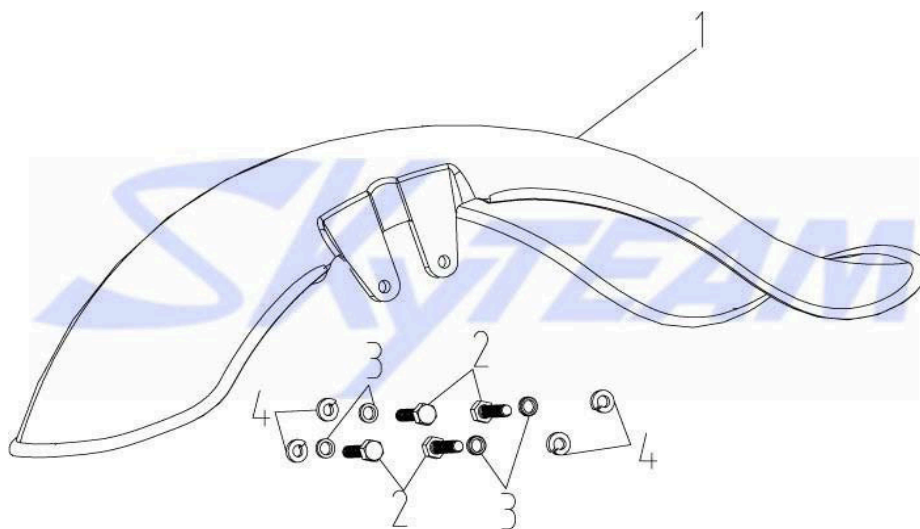
Ref	Part Number	Part Name	零件名称	QTY	Salable	ST125-15 (Manual)	ST125-15A (Semi Auto)
-----	-------------	-----------	------	-----	---------	----------------------	--------------------------

**FIG.12 SEAT**



1	45100-20A00	Seat Assy	座垫总成	1	√	√	√
2	45110-20A00	Junction Plate , Seat	座垫连接板	1	√	√	√
3	GB/T 16674 M6×16- Zn.DB	Bolt	六角法兰面螺栓	2	√	√	√
4	45120-20A00	Spring Hook Assy, Seat	座垫锁钩总成	1	√	√	√
5	45130-20A00	Hook Seat Lochl	座垫锁挂钩	1	√	√	√
6	GB/T 6187.1 M6- Zn.DB	Flange Nut	法兰面自锁螺母	4	√	√	√
7	4511-20A00	Gag Lever Post	限位杆	1	√	√	√
8	GB/T 6177.1 M5- Zn.DB	Nut	螺母	2	√	√	√
9	45600-14A00	Lock ,Seat	座垫锁	1	√	√	√

**FIG.13 FENDER FRONT**

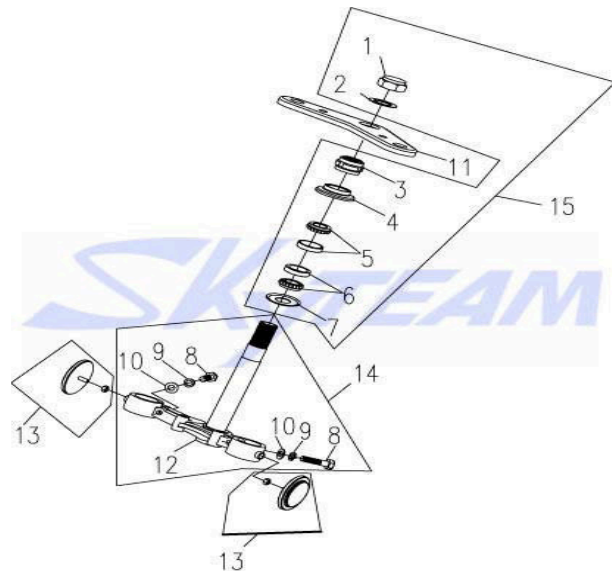


1	53110-20A00	Front Fender	前挡泥板	1	√	√	√
2	GB/T 16674 M6×12-Zn.DB	Flange Bolt	六角法兰面螺栓	4	√	√	√
3	GB 97.1 6-140HV-Zn.DB	Washer	平垫圈	4	√	√	√
4	GB 859 6-Zn.DB	Spring Washer	轻型弹簧垫圈	4	√	√	√

## CHAPPY (ST125-15/ST50-15A) PARTS CATALOGUE

Ref	Part Number	Part Name	零件名称	QTY	Salable	ST125-15 (Manual)	ST125-15A (Semi Auto)
-----	-------------	-----------	------	-----	---------	----------------------	--------------------------

**FIG.14 FRONT FORK**

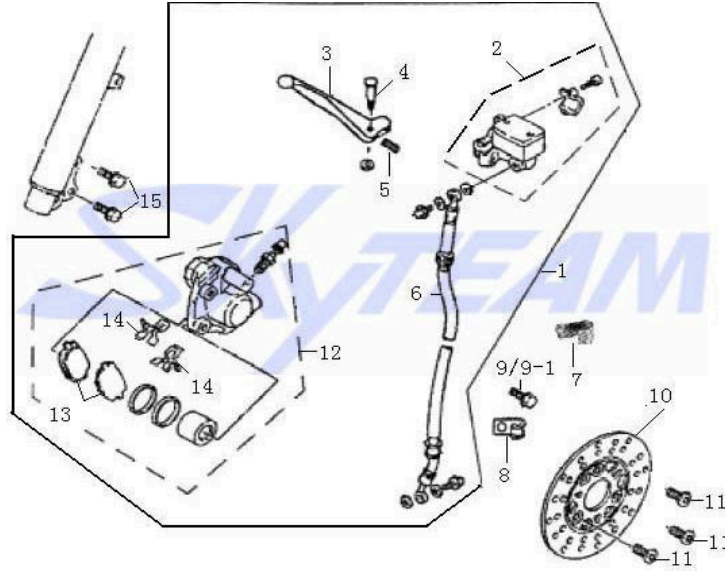


1	51633-Z1000	Steering Nut	方向柱顶螺母	1	√	√	√
2	51612-Z1000	Washer	垫片	1	√	√	√
3	51631-Z1000	Steering Nut	转向轴螺母	1	√	√	√
4	51643-Z1000	Dust Seal	上部转向防尘圈	1	√	√	√
5	51650-Z1000	Needle Bearing, Upper	圆锥滚子轴承 (上)	1	√	√	√
6	51660-Z1000	Needle Bearing, Lower	圆锥滚子轴承 (下)	1	√	√	√
7	51632-Z1000	Washer	垫片	1	√	√	√
8	GB/T 5783 M8×35-Zn.DB	Bolt	六角头螺栓	2	√	√	√
9	GB 97.1 8-140HV-Zn.DB	Washer	平垫圈	2	√	√	√
10	GB 859 8-Zn.DB	Spring Washer	轻型弹簧垫圈	2	√	√	√
11	51300-15A00	Steering Head	上联板组件	1	√	√	√
12	51410-16A10	Under Bracket	下联板组件	1	√	√	√
13	38110-Y1000	Side Reflector	前边缘反射器	2	√	√	√
14	51410-16AP0	Set, Steering Stem	下联板组合	1	√		√
15	51650-10AP0	Set, Steering Stem Fixing	转向组合	1	√	√	√

## CHAPPY (ST125-15/ST50-15A) PARTS CATALOGUE

Ref	Part Number	Part Name	零件名称	QTY	Salable	ST125-15 (Manual)	ST125-15A (Semi Auto)
-----	-------------	-----------	------	-----	---------	----------------------	--------------------------

**FIG.15 BRAKE ASSY,FRONT**

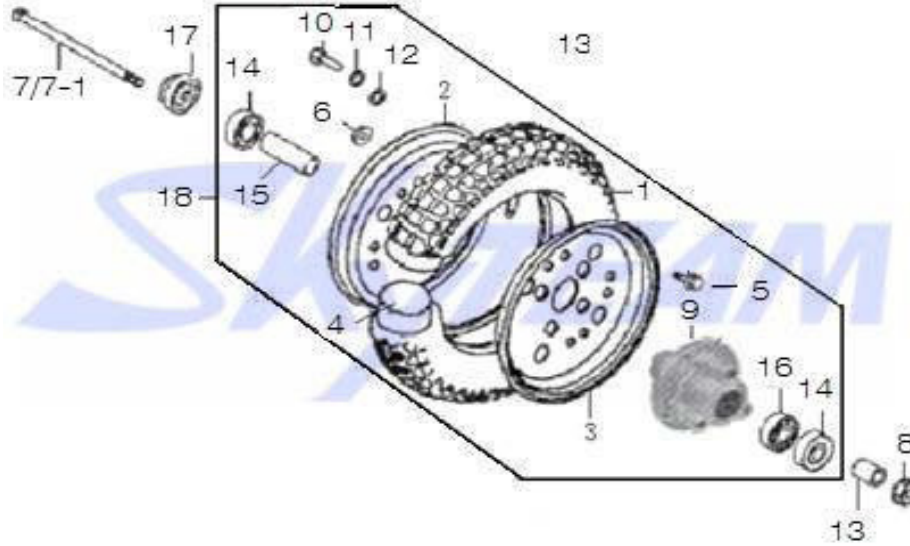


1	59000-14A00	Front Brake Assy	前液压制动器总成	1	√	√	√
2	59008-14A00	Master Cylinder, Front Brake	前刹上泵	1	√	√	√
3	59286-Z1000	Front Brake Lever	前制动手柄	1	√	√	√
4	59288-Z1000	Bolt	手柄螺栓	1	√	√	√
5	59285-Z1000	Brake Switch, Front	前刹开关	1	√	√	√
6	59287-14A00	Front Brake Hose	前刹油管	1	√	√	√
7	59242-Z1000	Clamp, Brake Tube	碟刹油管固定夹	1	√	√	√
8	59489-Z1000	Clamp, Brake Hose	前碟刹油管夹	1	√	√	√
9	GB/T 16674 M6×16-Zn.DB	Flange Bolt	六角法兰面螺栓	1	√	√	√
9-1	GB/T 16674 M6×12-Zn.DB	Flange Bolt	六角法兰面螺栓	1	√	√	√
10	59414-Z1000	Front Brake Disc	前制动盘	1	√	√	√
11	58412-Z1000	Bolt	刹车盘安装螺栓	3	√	√	√
12	59007-Z1000	Caliper, Front Brake	前刹下泵	1	√	√	√
13	59312-Z1000	Front Brake Pad	前刹摩擦片	1	√	√	√
14	59380-16H10	Circlip, Brake Pad	制动片卡簧	2	√	√	√
15	GB/T 16674 M8×32-Zn.DB	Flange Bolt	六角法兰面螺栓	2	√	√	√

## CHAPPY (ST125-15/ST50-15A) PARTS CATALOGUE

Ref	Part Number	Part Name	零件名称	QTY	Salable	ST125-15 (Manual)	ST125-15A (Semi Auto)
-----	-------------	-----------	------	-----	---------	----------------------	--------------------------

**FIG.16 FRONT WHEEL**



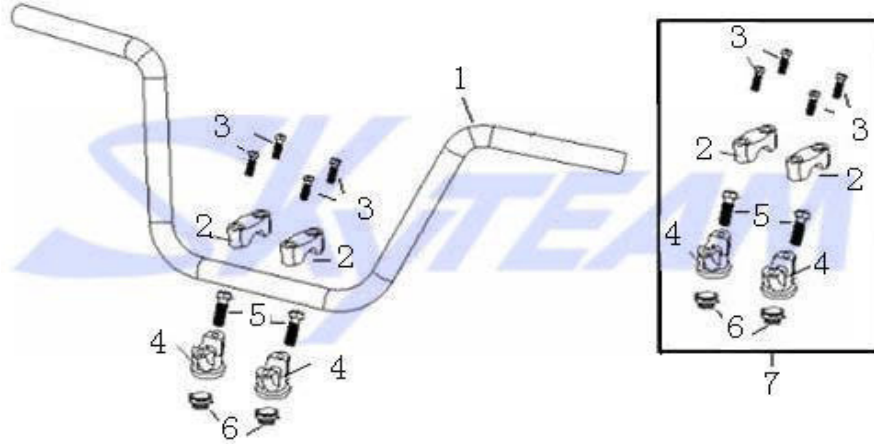
1	55100-15A00	Tire	外胎	1	√	√	√
2	55301-15A00	Rim, Rh	轮辋右件	1	√	√	√
3	55302-15A00	Rim, Lh	轮辋左件	1	√	√	√
4	55200-15A00	Tube, Inner	内胎	1	√	√	√
5	GB/T 16674 M8×16-Zn.DB	Flange Bolt	六角法兰面螺栓	8	√	√	√
6	GB/T 6187.1 M8-Zn.DB	Flange Nut	六角法兰面自锁螺母	8	√	√	√
7	54711-Z1000	Axle, Front Wheel	前轮轴	1	√	√	√
7-1	64711-Z1000	Axle, Rear Wheel(Used As Fr	后轮轴(用作前轮轴)	1	√	√	√
8	GB/T 6187.2 M12×1.25-Zn.DB	Flange Nut	六角法兰面自锁螺母	1	√	√	√
9	55320-16H00	Hub, Front Wheel	前轮轮毂	1	√	√	√
10	GB/T 5783 M8×20-Zn.DB	Bolt	六角头螺栓	4	√	√	√
11	GB 859 8-Zn.DB	Spring Washer	轻型弹簧垫圈	4	√	√	√
12	GB 97.1 8-140HV-Zn.DB	Washer	平垫圈	4	√	√	√
13	54121-Z1000	Bush, Front Wheel, L	前轮左衬套	1	√	√	√
14	55342-15A10	Dust Seal	前轮密封圈	1	√	√	√
15	54123-15A00	Bushing	前轮中间衬套	1	√	√	√
16	6201-Z GB/T276-94	Bearing	前轮轴承	2	√	√	√
17	54600-16H00	Gear Box Assy,Speedometer	计数器总成	1	√	√	√
18	55000-15A10	Front Wheel Assy	前轮总成	1	√	√	√



## CHAPPY (ST125-15/ST50-15A) PARTS CATALOGUE

Ref	Part Number	Part Name	零件名称	QTY	Salable	ST125-15 (Manual)	ST125-15A (Semi Auto)
-----	-------------	-----------	------	-----	---------	----------------------	--------------------------

**FIG.17 HANDLEBAR**

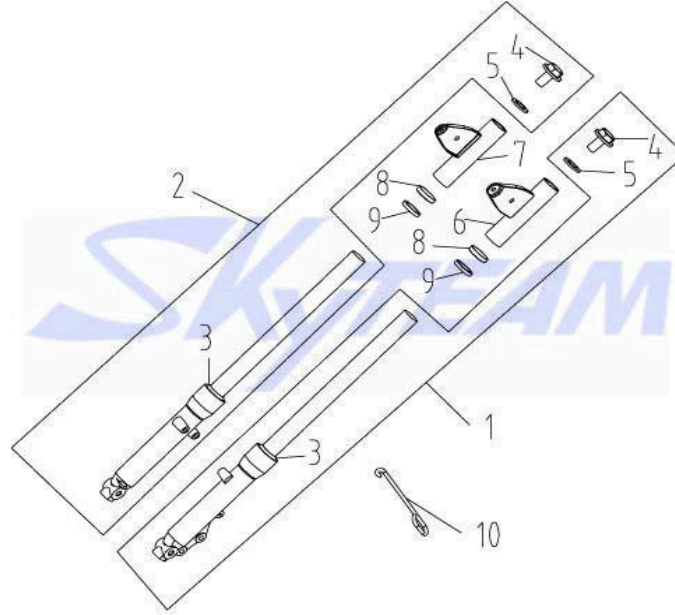


1	56110-16H20	Handlebar	方向把	1	√	√	√
2	56221-Z1000	Upper Handlebar Holder	上把手座	2	√	√	√
3	01204-Z1000	Bolt	螺栓	4	√	√	√
4	56211-Z1000	Lower Handlebar Holder	下把手座	2	√	√	√
5	56223-Z1000	Bolt	下把手座螺栓	2	√	√	√
6	GB/T 6187.2 M10×1.25-Zn.DB	Flange Nut	六角法兰面自锁螺母	2	√	√	√
7	56211-10A0	Set, Handlebar Fixing	方向把安装组合	1	√	√	√

## CHAPPY (ST125-15/ST50-15A) PARTS CATALOGUE

Ref	Part Number	Part Name	零件名称	QTY	Salable	ST125-15 (Manual)	ST125-15A (Semi Auto)
-----	-------------	-----------	------	-----	---------	----------------------	--------------------------

**FIG.18 DAMPER**

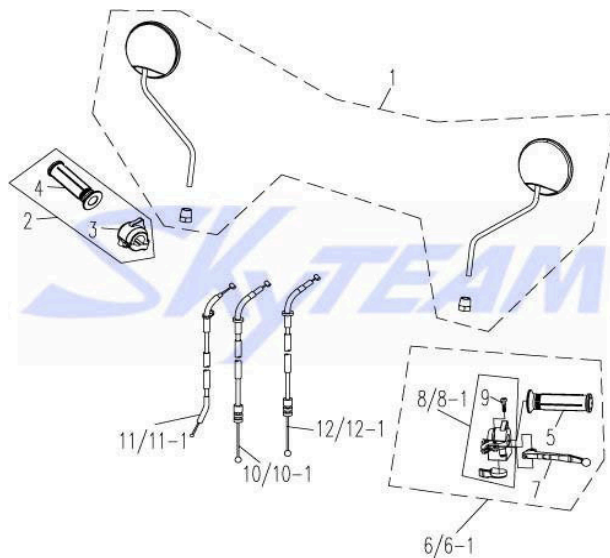


1	52200-20A00	Front Shock Absorber, Lh(Cold	左前减震器组件	1	√	√	√
2	52100-20A00	Front Shock Absorber, Rh(Col	右前减震器组件	1	√	√	√
3	51170-18H00	Oil Seal	前减油封	2	√	√	√
4	GB/T 16674 M10×20-Cr	Flange Bolt	六角法兰面螺栓	2	√	√	√
5	51356-16H00	Washer	垫圈	2	√	√	√
6	35120-16A20	Headlamp Holder, Lh	前大灯左支架	1	√	√	√
7	35121-16A20	Headlamp Holder, Rh	前大灯右支架	1	√	√	√
8	51551-16A20	Holder	前大灯支架座	2	√	√	√
9	51552-16A20	Cushion	衬垫	2	√	√	√
10	53119-Z1000	Clamp, Speedometer Cable	软轴线夹	1	√	√	√

## CHAPPY (ST125-15/ST50-15A) PARTS CATALOGUE

Ref	Part Number	Part Name	零件名称	QTY	Salable	ST125-15 (Manual)	ST125-15A (Semi Auto)
-----	-------------	-----------	------	-----	---------	----------------------	--------------------------

**FIG.19 SWITCH HANDLE**

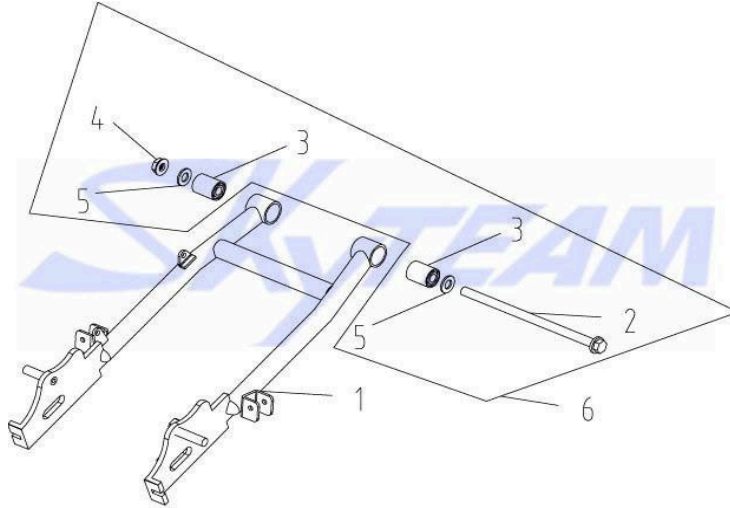


1	56500-56600-14A00	Rearview Mirror Assy (Color)	左右后视镜总成	1	√	√	√
2	57300-Z1010	Right Handle Switch Assy	右把手开关组合件	1	√	√	√
3	57310-Z1010	Right Handle Switch	右把手开关总成	1	\	√	√
4	57320-Z1010	Grip, Throttle	油门胶套	1	√	√	√
5	57210-Z1000	Grip, Lh	左把套	1	√	√	√
6	57600-Z1000	Left Handle Switch Assy	左把手开关总成	1	√	√	√
7	57511-Z1000	Lever, Clutch	离合器手柄	1	√	√	√
8	57512-Z1000	Left Handle Switch	离合器闸把座及左开关	1	\	√	√
9	57513-Z1000	Bolt	离合器手柄螺栓	1	√	√	√
10-1	58400-16H10	Clutch Cable Assy	离合器钢索组件	1	√	√	
11-1	58300-25H00	Throttle Cable Assy	油门钢索组件	1	√	√	√
12-1	58500-25H00	Choke Cable Assy	风门线	1	√	√	√

## CHAPPY (ST125-15/ST50-15A) PARTS CATALOGUE

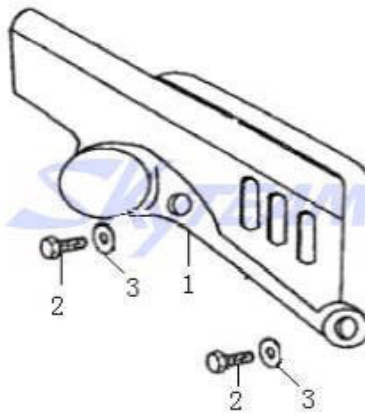
Ref	Part Number	Part Name	零件名称	QTY	Salable	ST125-15 (Manual)	ST125-15A (Semi Auto)
-----	-------------	-----------	------	-----	---------	----------------------	--------------------------

**FIG.20 SWINGING ARM SET**



1	61100-20A00	Swing Arm Comp (Color)	后平叉组件	1	√	√	√
2	61211-15A00	Axle, Swing Arm	后平叉轴	1	√	√	√
3	51120-15A00	Bushing	缓冲衬套组件	2	√	√	√
4	GB/T 6187.2 M10×1.25-Zn.DB	Flange Nut	六角法兰面自锁螺母	1	√	√	√
5	GB/T 96 10-100HV-Zn.DB	Washer	大垫圈	2	√	√	√
6	61211-15AP0	Set, Axle and Spacer of Swing	后平叉轴套组合	1	√	√	√

**FIG.21 CHAIN CASE**

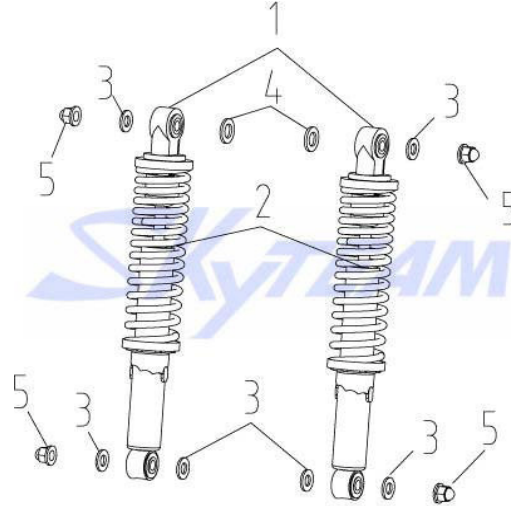


1	61300-15A00	Chian Case	链罩	1	√	√	√
2	GB/T 16674 M6×12-Zn.DB	Flange Bolt	六角法兰面螺栓	2	√	√	√
3	GB 97.1 6-140HV-Zn.DB	Washer	平垫圈	2	√	√	√

## CHAPPY (ST125-15/ST50-15A) PARTS CATALOGUE

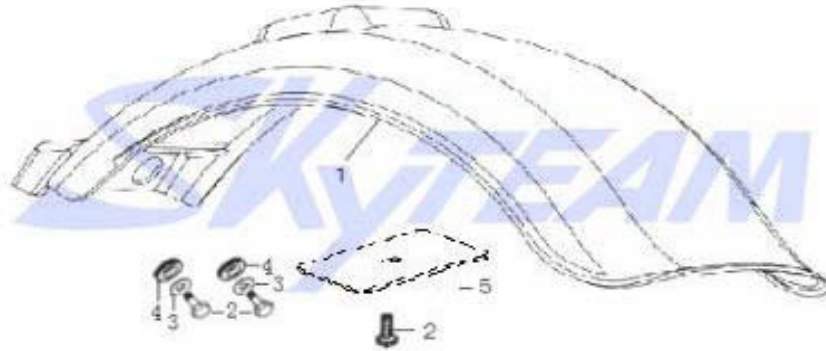
Ref	Part Number	Part Name	零件名称	QTY	Salable	ST125-15 (Manual)	ST125-15A (Semi Auto)
-----	-------------	-----------	------	-----	---------	----------------------	--------------------------

**FIG.22 REAR SHOCK ABSORBER**



1	62100-14A10	Rear Shock Absorber	后减震器总成	2	√	√	√
2	62170-14A10	Oil Seal	后减油封	2	√	√	√
3	GB/T 96 10-Zn.DB	Washer	特大垫圈	6	√	√	√
4	GB/T 96 12-Zn.DB	Washer	特大垫圈	2	√	√	√
5	GB/T 923 M10×1.25-Cr	Nut	盖形螺母	4	√	√	√

**FIG.23 FENDER REAR**

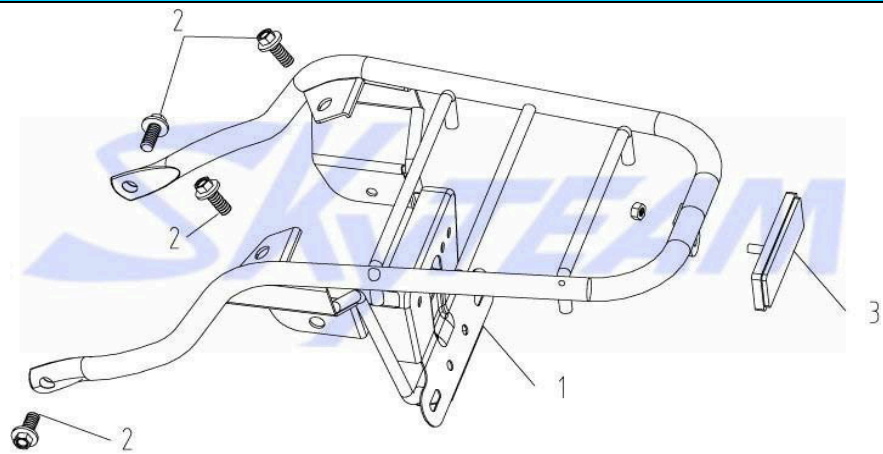


1	63511-15A10	Rear Fender (Color)	后挡泥板	1	√	√	√
2	GB/T 16674 M6×20-Zn.DB	Flange Bolt	六角法兰面螺栓	3	√	√	√
3	GB 97.1 8-140HV-Zn.DB	Washer	平垫圈	2	√	√	√
4	47316-10H00	Rubber Pad	橡胶垫	2	√	√	√
5	63521-20A00	Washer	后泥板安装垫片	1	√	√	√

## CHAPPY (ST125-15/ST50-15A) PARTS CATALOGUE

Ref	Part Number	Part Name	零件名称	QTY	Salable	ST125-15 (Manual)	ST125-15A (Semi Auto)
-----	-------------	-----------	------	-----	---------	----------------------	--------------------------

**FIG.24 REAR CARRIER**



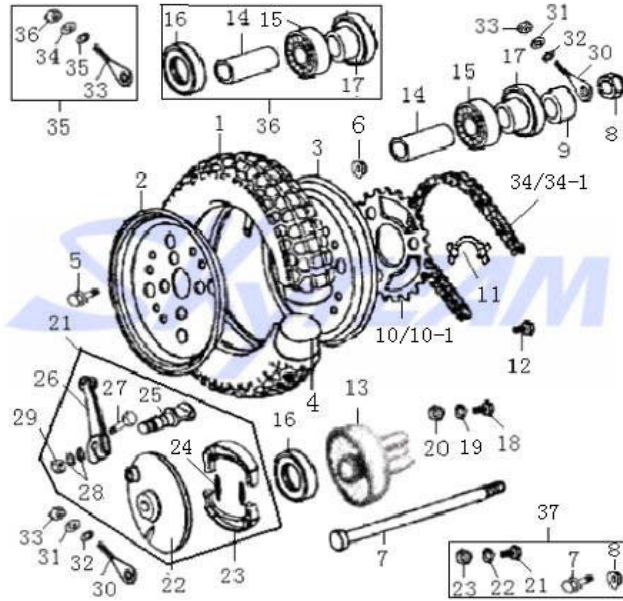
1	41610-20A00	Rear Carrier	后货架组件	1	√	√	√
2	GB/T 16674 M8x16-Zn.DB	Flange Bolt	六角法兰面螺栓	4	√	√	√
3	38160-Y1000	Rear Reflector	后反射器	1	√	√	√



## CHAPPY (ST125-15/ST50-15A) PARTS CATALOGUE

Ref	Part Number	Part Name	零件名称	QTY	Salable	ST125-15 (Manual)	ST125-15A (Semi Auto)
-----	-------------	-----------	------	-----	---------	----------------------	--------------------------

**FIG.25 REAR WHEEL**

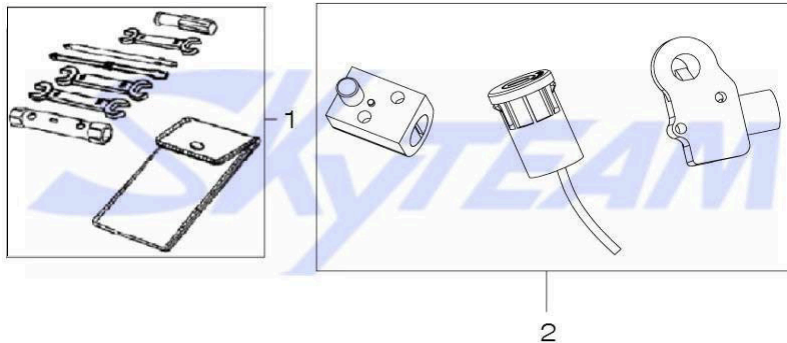


1	55100-15A00	Tire	外胎	1	√	√	√
2	55301-15A00	Rim, Rh	轮辋右件	1	√	√	√
3	55302-15A00	Rim, Lh	轮辋左件	1	√	√	√
4	55200-15A00	Tube, Inner	内胎	1	√	√	√
5	GB/T 16674 M8×16-Zn.DB	Flange Bolt	六角法兰面螺栓	8	√	√	√
6	GB/T 6187.1 M8-Zn.DB	Flange Nut	六角法兰面自锁螺母	8	√	√	√
7	64711-15A00	Axle, Rear Wheel	后轮轴	1	√	√	√
8	GB/T 6187.2 M12×1.25-Zn.DB	Flange Nut	六角法兰面自锁螺母	1	√	√	√
9	65331-15A00	Bushing	后轮左衬套	1	√	√	√
10-1	64511-16H00	Rear Sprocket	大链轮	1	√	√	√
11	64512-15A00	Lock Plate, Sprocket	链轮锁片	2	√	√	√
12	GB/T 5783 M8×30-10.9-Zn.DB	Bolt	六角头螺栓	3	√	√	√
13	65320-15A10	Hub, Rear Wheel (Color)	后轮毂	1	√	√	√
14	65332-15A00	Bushing	后轮中间衬套	1	√	√	√
15	6301Z GB/T276-94	Bearing	轴承	1	√	√	√
16	6201RS GB/T276-94	Bearing	轴承	1	√	√	√
17	65003-15A00	Oil Seal	后轮左密封圈	1	√	√	√
18	GB/T 5783 M8×20-Zn.DB	Bolt	六角头螺栓	4	√	√	√
19	GB 97.1 8-140HV-Zn.DB	Washer	平垫圈	4	√	√	√
20	GB 859 8-Zn.DB	Spring Washer	轻型弹簧垫圈	4	√	√	√
21	54200-15A10	Panel Comp, Front Hub (Color)	毂盖组件	1	√	√	√
22	64201-15A10	Panel Comp, Rear Hub	毂盖	1	√	√	√
23	64210-15A00	Brake Shoe Assy, Rear	制动蹄块总成	2	√	√	√
24	64203-15A00	Spring	后刹蹄块弹簧	2	√	√	√
25	64204-15A10	Cam, Rear Brake	后制动凸轮轴	1	√	√	√
26	64205-15A00	Lever, Rear Brake Cam	后制动摇臂	1	√	√	√
27	GB/T 5783 M6×35-Zn.DB	Bolt	六角头螺栓	1	√	√	√
28	GB 96 6-140HV-Zn.DB	Washer	大垫圈	2	√	√	√
29	GB/T 6170 M6-Zn.DB	Nut	六角螺母	1	√	√	√
30	61411-14A00	Adjuster, Chain	链条调节器	2	√	√	√
31	GB 859 6-Zn.DB	Spring Washer	轻型弹簧垫圈	2	√	√	√
32	GB 96 6-140HV-Zn.DB	Washer	大垫圈	2	√	√	√
33	GB/T 6170 M6-Zn.DB	Nut	六角螺母	1	√	√	√
34-1	08MA-90 GB/T14212-93	Chain	链条	1	√	√	√
35	61410-14A00	Chain Adjuster Assy	链条调节器总成	2	√	√	√
36	65332-15AP0	Set, Bearing and Spacer	后轮转动组合	1	√	√	√
37	55301-15AP0	Set, Rear Wheel Fixing	后轮紧固装配组合	1	√	√	√

## CHAPPY (ST125-15/ST50-15A) PARTS CATALOGUE

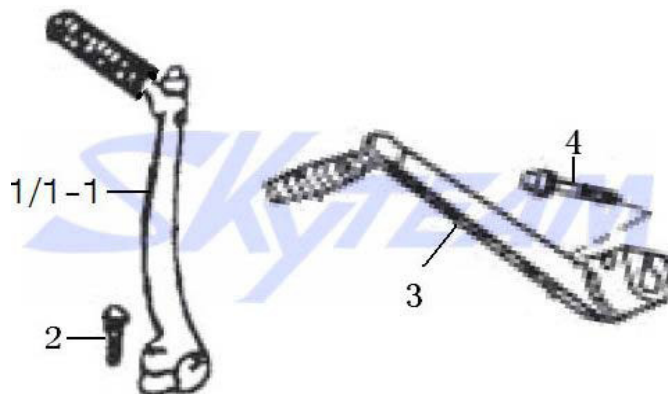
Ref	Part Number	Part Name	零件名称	QTY	Salable	ST125-15 (Manual)	ST125-15A (Semi Auto)
-----	-------------	-----------	------	-----	---------	----------------------	--------------------------

### FIG.26 TOOLING KIT AND LOCK SETS



1	82100-Z1000	Tool Kits	工具总成	1	√	√	√
2	37000-20A00	Lock Assy	套锁总成	1	√		√

### FIG.27



1	26300-14A00	kick starter	启动杆	1	√	√	
1-1	26300-13C00-0DG	kick starter	启动杆	1	√		√
2	GB/T 5783 M6×25-Zn.DB	Bolt	六角头螺栓	1	√	√	√
3	25600-18H00	Shift Pedal	变档杆	1	√	√	√
4	GB/T 5783 M6×20-Zn.DB	Bolt	六角头螺栓	1	√	√	√

**REMARK: THE PARTS IN RED ARE THE ONES WE CANNOT SUPPLY SEPARATELY.THANKS FOR UNDERSTANDING**