

EXPORT



TVS

RTR180

PARTS CATALOGUE



TVS MOTOR COMPANY

FOREWORD

We have pleasure in presenting the spare parts catalogue for TVS APACHE RTR 180.

The catalogue has been specifically designed to assist you in selecting the correct parts to maintain the vehicle in the best possible condition.

TVS MOTOR COMPANY, Genuine Parts have been subjected to stringent standards of quality control to ensure long life of the vehicle. It is therefore necessary that only TVS Genuine Parts are used. In continuous efforts to improve the performance and efficiency of the vehicle, design specification, diagrams / illustrations and part numbers can change without notice. Consequently, the description in this spare parts catalogue cannot therefore be final and binding on us.

While ordering spare parts ensure that correct part numbers, parts description and quantity are clearly mentioned.

Please note that the drawings and the illustrations are for ready reference of spare parts numbers and description only. It is not designed to be used as an assembly or servicing reference manual. For servicing please use "TVS APACHE RTR 180 SERVICE MANUAL".

This parts catalogue is exclusively for "TVS MOTOR COMPANYS" Authorised Outlets.

In case of any assistance, please contact us.

TVS MOTOR COMPANY LIMITED
International Business

NOTICE

The description and illustrations in this booklet are not to be taken as binding on the manufacturers. The essential features of the type described and illustrated herein remains unaltered, TVS MOTOR COMPANY LIMITED, reserves the right to carry out any moment, without being obliged to bring this booklet up-date modifications, on the vehicle, parts or accessories, as may be convenient and necessary.

INDEX

FIG. No.	DESCRIPTION	PAGE No.
1	CYLINDER HEAD ASSY.	07
2	CYLINDER BLOCK & CRANKSHAFT ASSY.	09
3	CRANKCASE LH, RH & OIL PUMP ASSY.	10
4	CLUTCH & COVER CLUTCH ASSY.	12
5	MAGNETO & IGNITION COIL ASSY.	14
6	MUFFLER ASSEMBLY	15
7	CARBURETTOR ASSEMBLY	16
8	AIR CLEANER ASSEMBLY	18
9	KICK STARTER ASSEMBLY	19
10	TRANSMISSION ASSEMBLY	20
11	GEAR SHIFT MECHANISM ASSY.	22
12	FUEL TANK & FUEL COCK ASSY.	24
12A	FUEL TANK & FUEL COCK ASSY. (REF.)	25
13	FRAME & SAREE GUARD ASSY.	26
13A	FRAME & SAREE GUARD ASSY. (REF.)	29
14	CENTER STAND & FOOTREST ASSY.	32
15	SEAT ASSEMBLY	33
16	HANDLE BAR & CABLE ASSY.	34
17	HEAD LAMP ASSEMBLY	36

FIG. No.	DESCRIPTION	PAGE No.
17A	HEAD LAMP ASSEMBLY WITH LED & TSL LH, RH	38
18	PANNEL LH, RH & RR FENDER ASSY.	40
18A	PANNEL LH, RH & RR FENDER ASSY. (REF.)	42
19	SPEEDOMETER ASSEMBLY	44
20	REAR LAMP ASSY.	45
21	WIRING HARNESS, TCI UNIT BATTERY ASSY.	46
22	FRONT FORK ASSEMBLY	48
22A	FRONT FORK ASSEMBLY (REF.)	50
23	FRONT WHEEL ASSEMBLY	52
24	REAR WHEEL ASSEMBLY	53
25	SWING ARM ASSEMBLY	55
26	SHOCK ABSORBER & CHAINCASE ASSY.	56
27	SECONDARY AIR INJECTION ASSY.	57
28	DISC BRAKE ASSEMBLY	58
29	MASTER CYLINDER ASSY. REAR DISC BRAKE	60
30	TOOL KIT	61
	KIT & KIT CONTENT	62
	PAINTED PART NUMBER	68

FIG. NO. 01

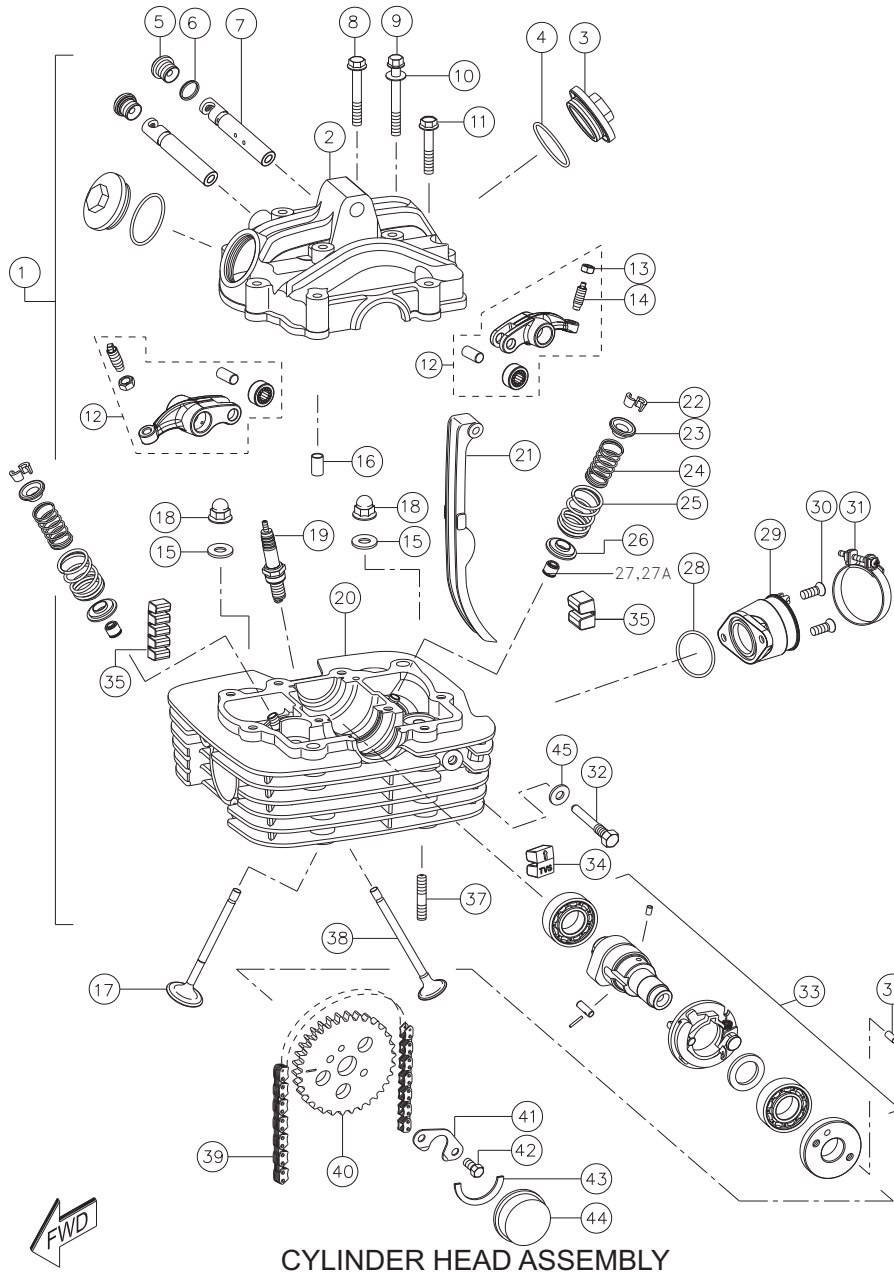


FIG. NO. 01

CYLINDER HEAD ASSEMBLY

REF. NO.	PART NO.	DESCRIPTION	NO. OFF		REMARKS
			APACHE		
			RTR 180	RTR 180 REF.	
1	N90105107D	CYLINDER HEAD ASSEMBLY KIT	1	1	**
2	----	COVER CYLINDER HEAD	1	1	
3	R1011010	CAP INSPECTION HOLE	2	2	
4	R1200490	O-RING 29.5x3	2	2	
5	M1010540	PLUG ROCKER ARM SHAFT	2	2	
6	M1080520	GASKET - OIL DRAIN 13.8 x 4.8	2	2	
7	M7010850	SHAFT VALVE ROCKER ARM	2	2	
8	M1200600	HEX FLANGE BOLT M6x45	2	2	
9	M1200010	HEX FLANGE BOLT M6x55	4	4	
10	N2010960	GASKET CYLINDER HD COVER BOLT	4	4	
11	M1200590	HEX FLANGE BOLT M6x35	4	4	
12	R1011000	ARM VALVE ROCKER ASSY.	2	2	
13	S1010250	NUT TAPPET ADJUSTING	2	2	
14	S1010240	SCREW TAPPET ADJUSTING	2	2	
15	M1200060	PUNCHED WASHER 8.5 x 18 x 2.3	3	3	
16	M1010090	PIN CYLINDER HEAD COVER KNOCK	2	2	
17	M7010270	VALVE INTAKE	1	1	
18	M1200050	DOMED NUT WITH FLANGE M8	4	4	
19	M7011010	SPARK PLUG (UR5 DDC)	1	1	
20	N90105007D	HEAD COMP. CYLINDER	1	1	
21	M1080990	TENSIONER CAM CHAIN	1	1	
22	S1010320	COTTER VALVE	4	4	
23	N2011040	RETAINER VALVE SPRING	2	2	

** - REFER KIT & KIT CONTENTS

FIG. NO. 01

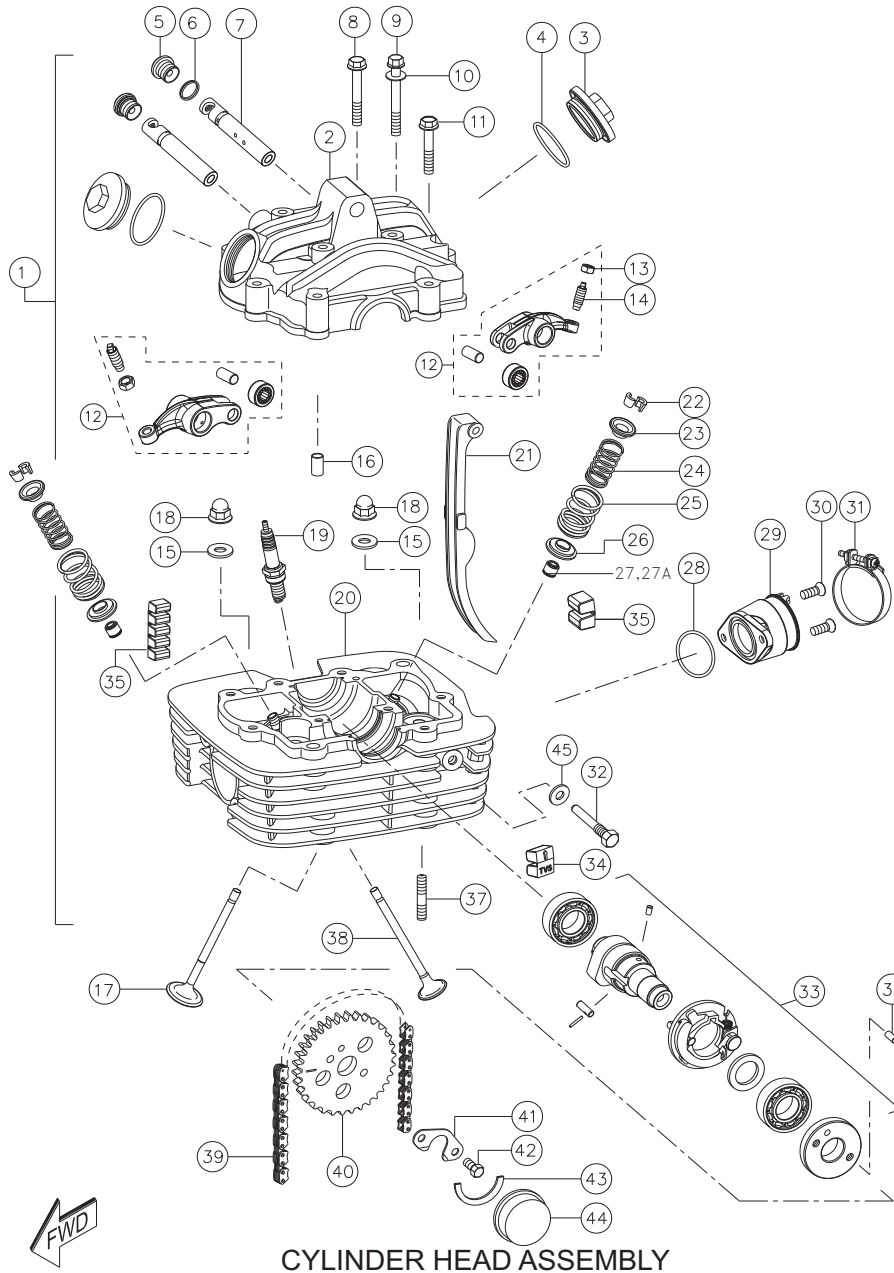


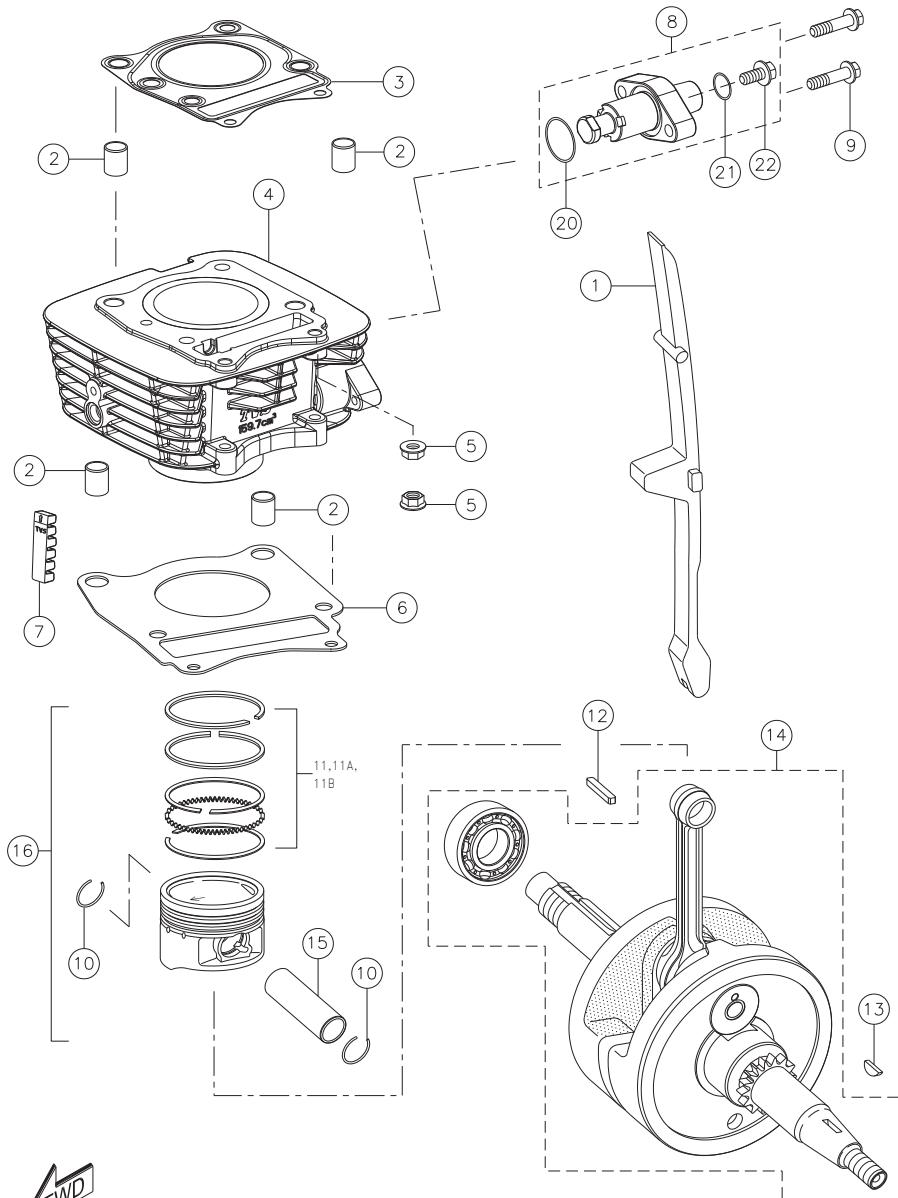
FIG. NO. 01

CYLINDER HEAD ASSEMBLY

REF. NO.	PART NO.	DESCRIPTION	NO. OFF		REMARKS
			APACHE		
			RTR 180	RTR 180 REF.	
24	N3011280	SPRING VALVE INNER	2	2	
25	M1010580	SPRING VALVE OUTER	2	2	
26	M1010610	SEAT VALVE SPRING	2	2	
27	M1010620	SEAL VALVE STEM OIL	2	-	
27A	N4011100	SEAL VALVE STEM OIL	-	2	
28	M1200220	O RING 31.7x2.4	1	1	
29	M7040730	PIPE COMPLETE INTAKE	1	1	
30	0332228	CRR PAN HEAD SCREW	2	2	
31	M1040140	CLAMP INTAKE PIPE	1	1	
32	M1080510	BOLT CAM CHAIN TENSIONER	1	1	
33	M7010800	CAMSHAFT ASSY.	1	1	
34	M7011110	DAMPER CYLINDER HEAD 1	2	2	
35	M7011120	DAMPER CYLINDER HEAD 2	1	1	
36	M1010490	PIN SPROCKET KNOCK	1	1	
37	M1200780	STUD BOLT CYLINDER HEAD	4	4	
38	M7010280	VALVE EXHAUST	1	1	
39	M1010200	CAM CHAIN . CAMSHAFT DRIVE (LINK 94)	1	1	
40	M1010210	SPROCKET CAMSHAFT 32T	1	1	
41	M1080500	WASHER SPROCKET	1	1	
42	420452700	HEX SCREW M6x12	2	2	
43	M7010840	C RING CAME SHAFT	1	1	
44	M7010910	PLUG CYLINDER HEAD	1	1	
45	M1080370	GASKET OIL PIPE UNION	1	1	

** - REFER KIT & KIT CONTENTS

FIG. NO. 02



CYLINDER BLOCK & CRANK SHAFT ASSY.

FIG. NO. 02

CYLINDER BLOCK & CRANK SHAFT ASSY.

REF. NO.	PART NO.	DESCRIPTION	NO. OFF		REMARKS
			APACHE		
			RTR 180	RTR 180 REF.	
1	M1010250	GUIDE CAM CHAIN	1	1	
2	S1200270	TUBULAR DOWEL	4	4	
3	M7011320	GASKET CYLINDER HEAD	1	1	
4	M7011310	CYLINDER COMPLETE (180cc)	1	1	
5	M1200900	HEX FLANGE NUT M6	4	4	
6	M1010660	GASKET CYLINDER (BASE)	1	1	
7	M7011130	DAMPER CYLINDER HEAD 3	2	2	
8	M7011370	ADJUSTER ASSY. TENSIONER	1	1	
9	N2200500	HEX FLANGE BOLT M6x25	2	2	
10	M1010440	CIRCLIP PISTON PIN	2	2	
11	N9020150	RING SET PISTON - STD	1	1	**
11A	N9323030	RING SET PISTON - I O/S	1	1	**
11B	N9323040	RING SET PISTON - II O/S	1	1	**
12	N3080170	KEY 4x4x15 (RECTANGULAR)	1	1	
13	M1200760	WOODRUFF KEY (HALF ROUND TYPE)	1	1	
14	N9020120	CRANKSHAFT ASSEMBLY	1	1	
15	M7020370	PIN PISTON	1	1	
16	N9020140	PISTON KIT DIA 62.5 - STD	1	1	**
17	N9323010	PISTON KIT 62.75 - I O/S	1	1	**
18	N9323020	PISTON KIT DIA 63 - II O/S	1	1	**
19	N9323000	CYLINDER BLOCK & PISTON KIT	1	1	
20	R1321190	O' RING ADJUSTER TENSIONER	1	1	
21	R1321210	O' RING CAP ADJUSTER	1	1	
22	R1321200	CAP ADJUSTER TENSIONER	1	1	
23	N9180030	ENGINE ASSEMBLY ES	1	1	N.I

** - REFER KIT & KIT CONTENTS

FIG. NO. 03

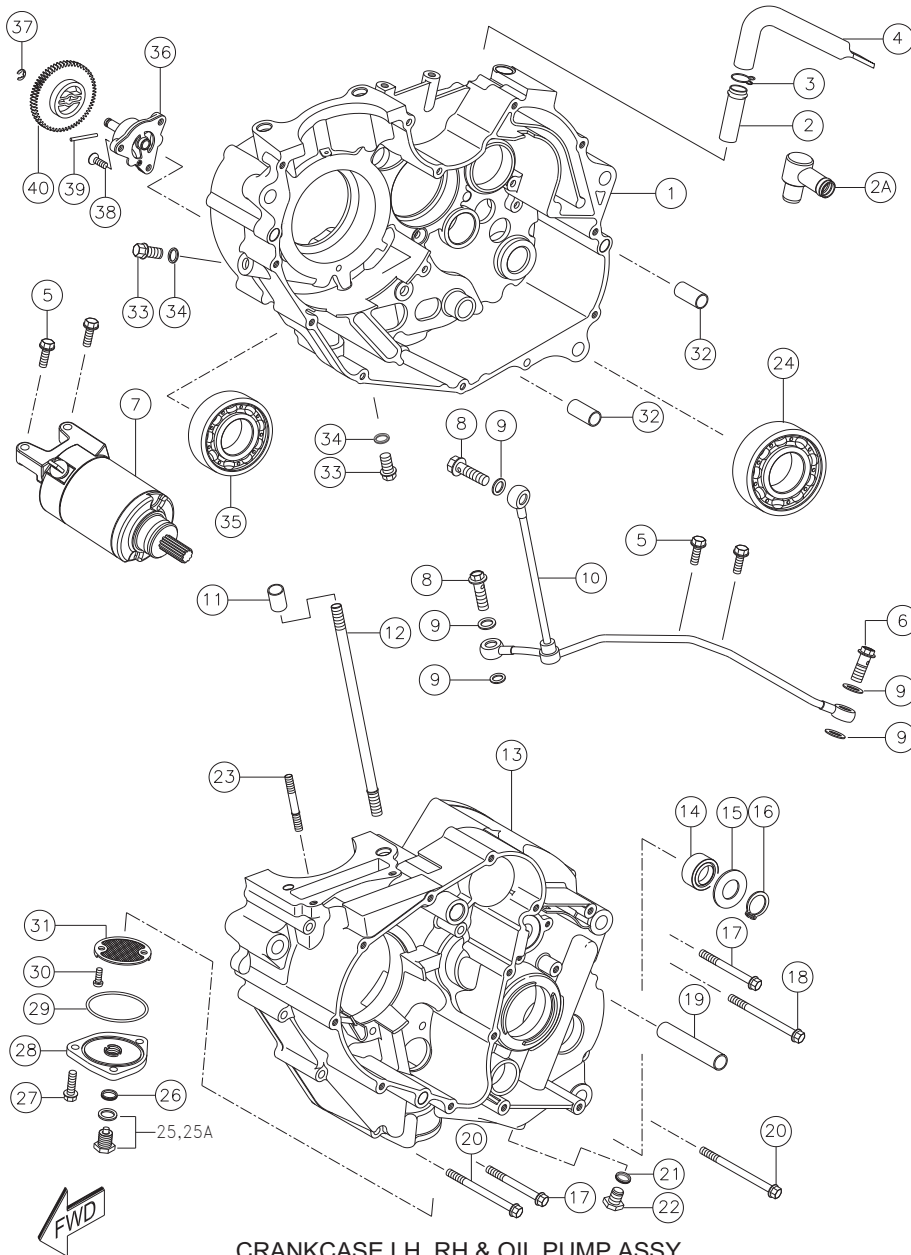
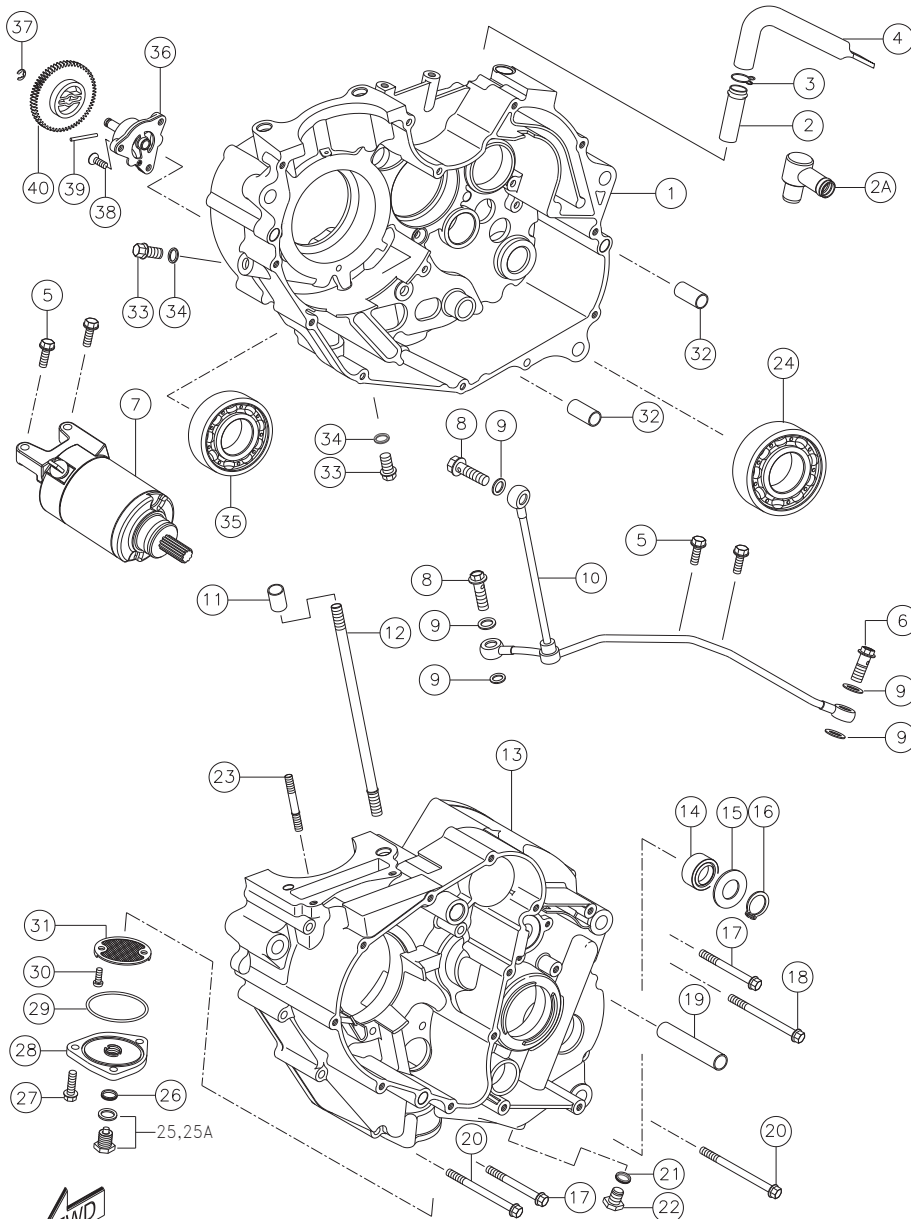


FIG. NO. 03

CRANKCASE LH, RH & OIL PUMP ASSY.

REF. NO.	PART NO.	DESCRIPTION	NO. OFF		REMARKS
			APACHE		
			RTR 180	RTR 180 REF.	
1	M70305107D	CRANKCASE ASSY. RH T. GREY	1	1	
2	M1080360	UNION BREATHER	1	1	
3	M1080650	CLAMP HOSE	1	1	
4	M1040740	TUBE BREATHER	1	1	
5	M1200510	HEX FLANGE BOLT M6x25	2	2	
6	M1081090	UNION BOLT OIL PIPE	1	1	
7	M1060060	STARTER MOTOR ASSY.	1	1	
8	M1080380	UNION BOLT OIL PIPE	2	2	
9	M1080370	GASKET OIL PIPE UNION	6	6	
10	M1010260	PIPE COMP. HEAD & T/M OIL	1	1	
11	0074010	DOWEL PIN	4	4	
12	M1010400	BOLT CYLINDER STUD L142	4	4	
13	M70300707D	CRANKCASE COMP. LH	1	1	
14	N2081720	OILSEAL	1	1	
15	M1200920	PUNCHED WASHER	1	1	
16	M1200870	CIRCLIP 12x1	1	1	
17	M1200430	HEX FLANGE BOLT M6x55	9	9	
18	M1200440	HEX FLANGE BOLT M6x75	3	3	
19	M1080430	PIN MAGNETO COVER	1	1	
20	M1200450	HEX FLANGE BOLT M6x95	1	1	

FIG. NO. 03



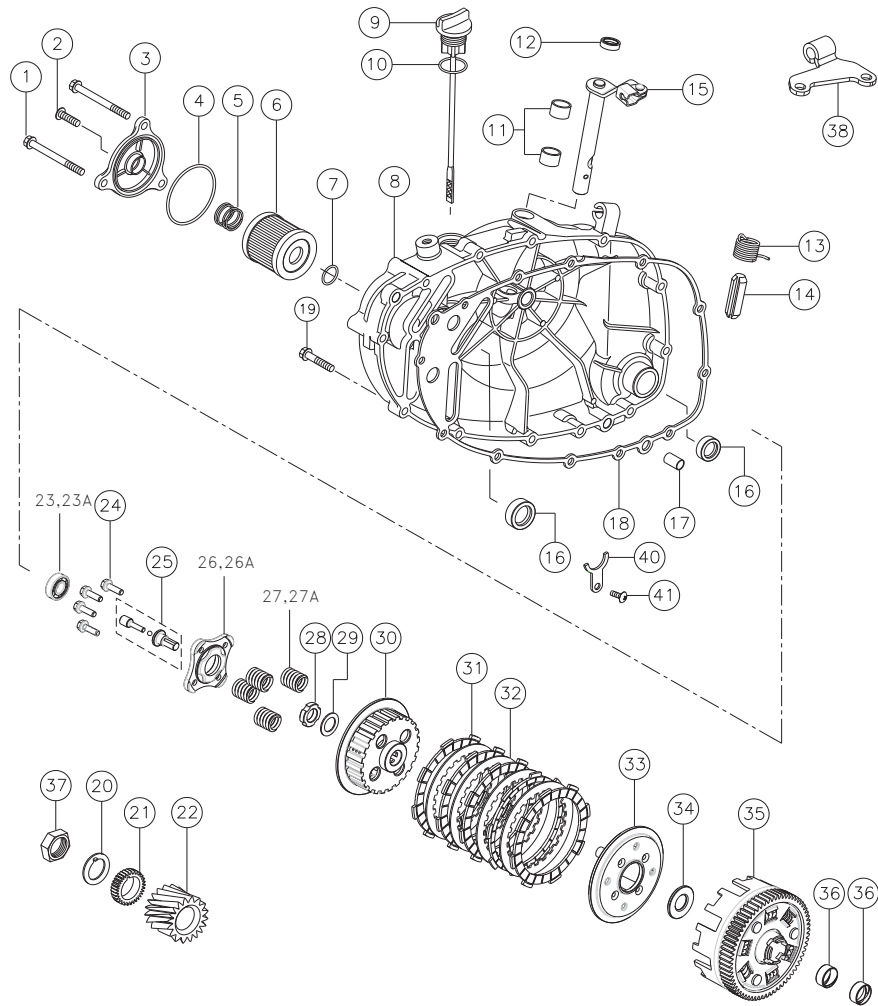
CRANKCASE LH, RH & OIL PUMP ASSY.

FIG. NO. 03

CRANKCASE LH, RH & OIL PUMP ASSY.

REF. NO.	PART NO.	DESCRIPTION	NO. OFF		REMARKS
			APACHE		
			RTR 180	RTR 180 REF.	
21	M1080420	GASKET TDC PLUG	1	1	
22	M1200080	HEX SCREW M12x10	1	1	
23	M1200780	STUD BOLT CYLINDER HEAD	2	2	
24	M7200530	BALL BEARING 35x72x17	1	1	
25	M1080580	PLUG OIL DRAIN	1	-	
25A	S1200900	PLUG OIL DRAIN	-	1	
26	S1011290	SEALING WASHER	1	1	
27	M1200530	HEX FLANGE BOLT M6x20	3	3	
28	M1080570	CAP OIL STRAINER	1	1	
29	M1080610	O-RING 60.5x2.4	1	1	
30	0331708	CRR PAN HD SCREW M4x10	2	2	
31	M1080560	STRAINER COMP. ENGINE OIL	1	1	
32	S1200270	PIN CRANKCASE	2	2	
33	M1200070	HEX FLANGE BOLT M10x12	2	2	
34	N2081600	GASKET OIL GALLERY PLUG	2	2	
35	M1200140	BALL BEARING 28x68x18	1	1	
36	N9080240	PUMP ASSEMBLY OIL	1	1	
37	M1200730	CIRCLIP 6x0.8	1	1	
38	0332228	CRR CSK HEAD SCREW M6x20	3	3	
39	0064014	PIN CLUTCH SPG	1	1	
40	M7081220	GEAR OIL PUMP DRIVEN	1	1	

FIG. NO. 04



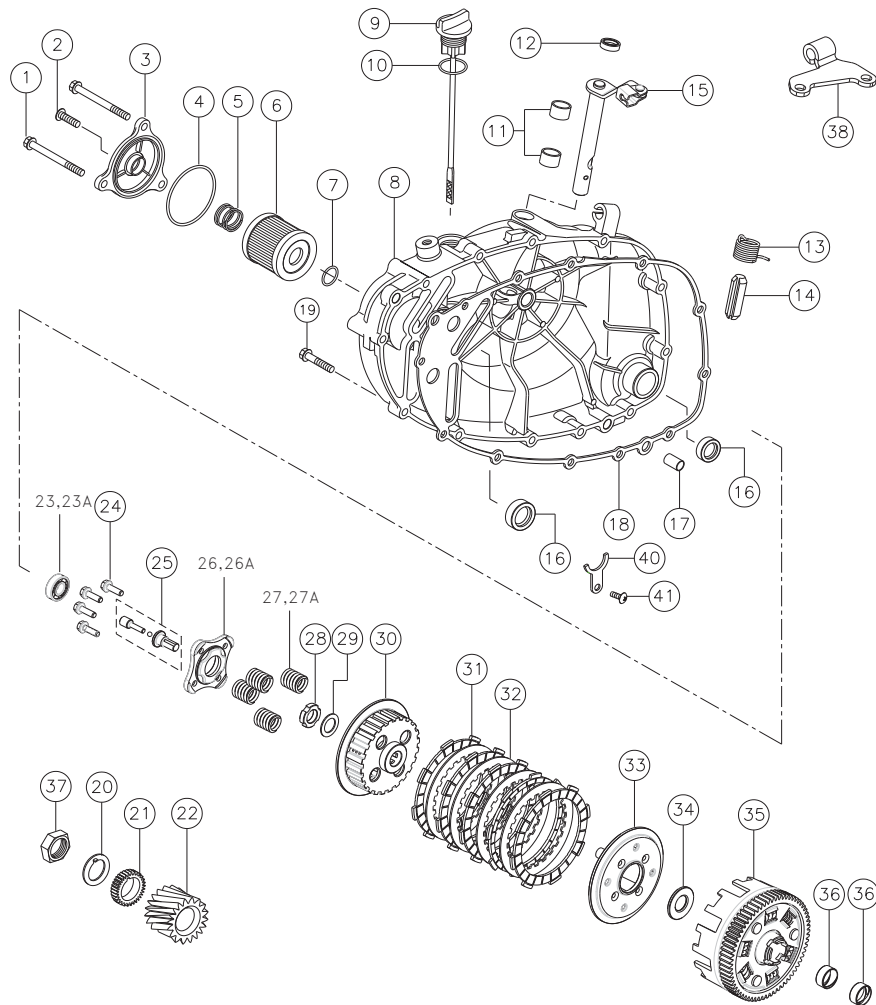
CLUTCH & COVER CLUTCH ASSEMBLY

FIG. NO. 04

CLUTCH & COVER CLUTCH ASSY.

REF. NO.	PART NO.	DESCRIPTION	NO. OFF		REMARKS
			APACHE		
			RTR 180	RTR 180 REF.	
1	M1200540	HEX FLANGE BOLT M6x65	2	2	
2	M1200520	HEX FLANGE BOLT M6x16	1	1	
3	M70809607D	CAP OIL FILTER PAINTED	1	1	
4	M1080600	O RING 52.6x2.4	1	1	
5	M1080620	SPRING OIL FILTER	1	1	
6	M1080540	FILTER COMPLETE ENGINE OIL	1	1	
7	M1080590	O RING 13x1.9	1	1	
8	M70304207D	COVER CLUTCH	1	1	
9	N2081150	GAUGE OIL LEVEL	1	1	
10	M1080400	O RING 16.8x3.1	1	1	
11	M7200510	BEARING BUSH	2	2	
12	M7200490	OIL SEAL 12x18x4	1	1	
13	M7070380	SPRING CLUTCH CABLE RETURN	1	1	
14	M7200500	SPRING DOWEL	1	1	
15	M7070350	ROD COMP. CLUTCH RELEASE	1	1	
16	0249550	OIL SEAL KICK STARTER SHAFT12x2x17	1	1	
17	0074010	DOWEL PIN	2	2	
18	M1080330	GASKET CLUTCH COVER	1	1	
19	M7200740	HEX FLANGE BOLT M6x30	10	10	
20	M1080630	WASHER PRIMARY DRIVE GEAR	1	1	
21	M1080010	GEAR OIL PUMP DRIVE	1	1	
22	M1080080	GEAR PRIMARY DRIVE (21T)	1	1	

FIG. NO. 04



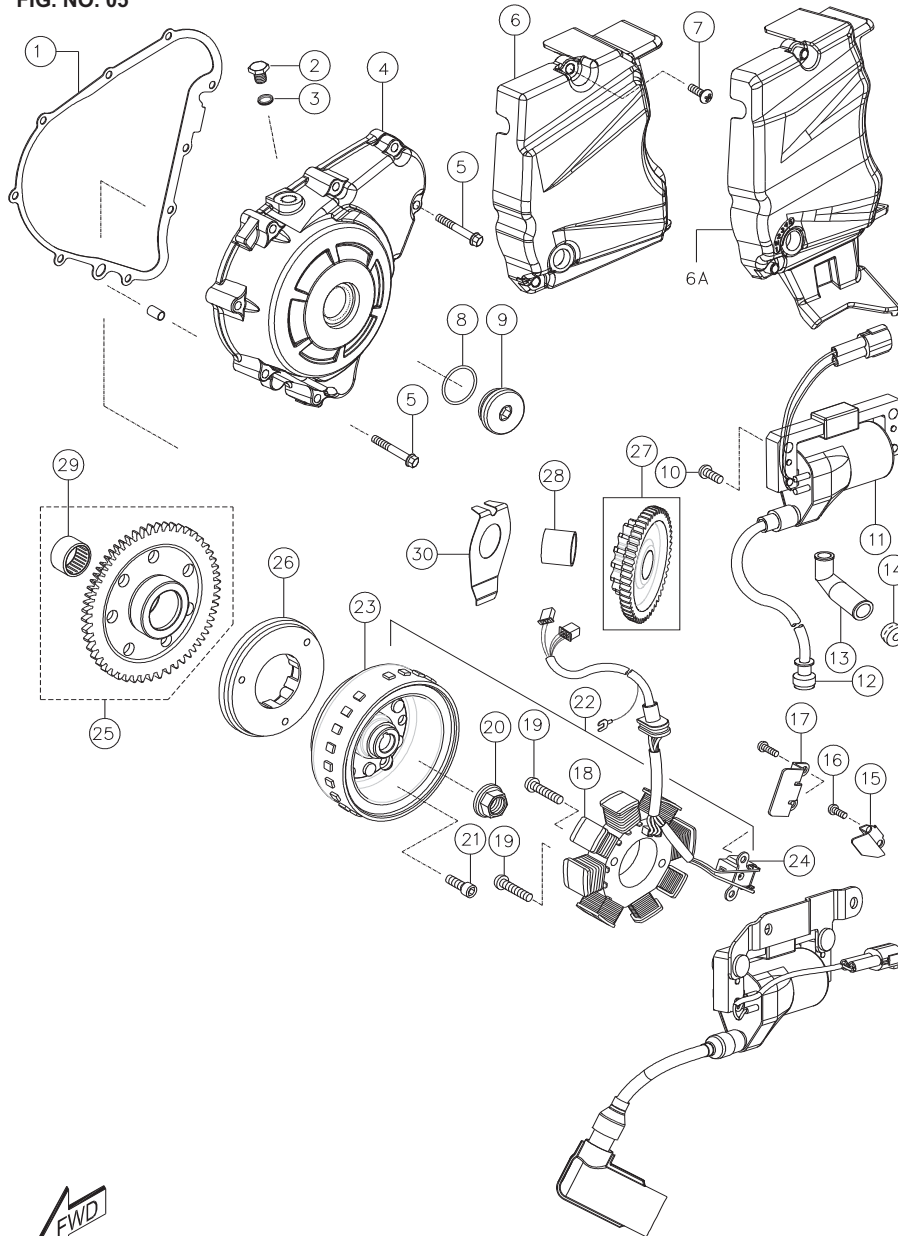
CLUTCH & COVER CLUTCH ASSEMBLY

FIG. NO. 04

CLUTCH & COVER CLUTCH ASSY.

REF. NO.	PART NO.	DESCRIPTION	NO. OFF		REMARKS
			APACHE		
			RTR 180	RTR 180 REF.	
23	0339060	BALL BEARING 12x28x8	1	-	
23A	M1200300	BALL BEARING 12x28x8	-	1	
24	M1200530	HEX SOCKET CAP SCREW M6x25	4	4	
25	M7070150	PIN CLUTCH RELEASE	1	1	
26	N2070360	PLATE CLUTCH RELEASE	1	-	
26A	N9070120	PLATE CLUTCH RELEASE	-	1	
27	M7070440	SPRING CLUTCH	4	-	
27A	N1070010	SPRING CLUTCH	-	4	
28	M7070100	NUT CLUTCH SHAFT	1	1	
29	M7070110	SPRING WASHER CLUTCH SHAFT	1	1	
30	M7070060	HUB CLUTCH	1	1	
31	M7321890	SET PLATE CLUTCH DRIVE (5 Nos)	1	1	
32	M7321900	SET PLATE CLUTCH DRIVEN (4Nos)	1	1	
33	N2070200	DISC CLUTCH PRESSURE	1	1	
34	M7070240	WASHER CLUTCH HUB	1	1	
35	M7080840	GEAR ASSY. PRIMARY DRIVEN	1	1	
36	0339310	BUSH PRIMARY DRIVEN GEAR	2	2	
37	M1200250	HEX NUT M16x1.5	1	1	
38	M7070330	BRACKET CLUTCH CABLE	1	1	
39	N2200550	OIL SEAL CRANKSHAFT RH	1	1	
40	N9080670	RETAINER	1	1	
41	0331748	CRR PAN HEAD SCREW M6x16	1	1	

FIG. NO. 05



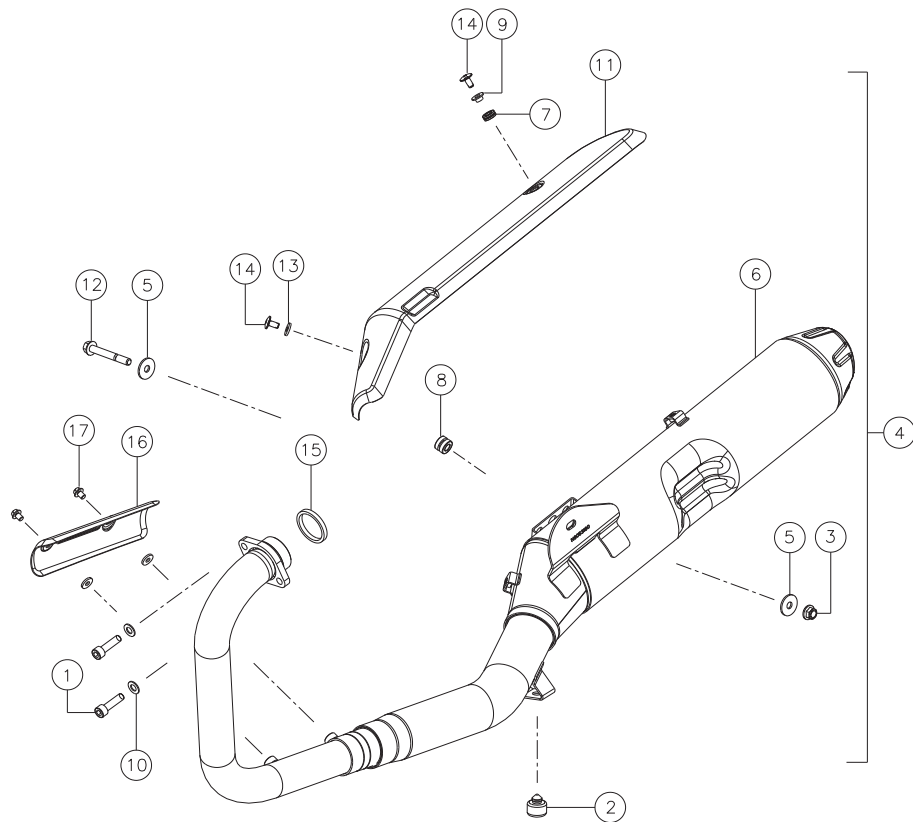
MAGNETO & IGNITION COIL ASSEMBLY

FIG. NO. 05

MAGNETO & IGNITION COIL ASSEMBLY

REF. NO.	PART NO.	DESCRIPTION	NO. OFF		REMARKS
			APACHE		
			RTR 180	RTR 180 REF.	
1	M1080320	GASKET MAGNETO COVER	1	1	
2	N2081680	PLUG TDC	1	1	
3	M1080420	GASKET TDC PLUG	1	1	
4	M70301707D	COVER MAGNETO	1	1	
5	M7200700	HEX FLANGE BOLT M6x40	9	9	
6	N92210907D	COVER ENGINE SPROCKET	1	-	
6A	N9081170	COVER ENGINE SPROCKET	-	1	
7	M1200670	CRR PAN HD SCREW SCREW M6x20	2	2	
8	N2081690	O RING 22.7x3.1	1	1	
9	M7080980	PLUG CRANKSHAFT HOLE	1	1	
10	M1203670	CRR PAN HEAD SCREW M6x12	1	1	
11	N9060180	COIL ASSEMBLY IGNITION	1	1	
12	0098010	SEAL HIGH TENSION CORD	1	1	
13	N9060280	CAP ASSEMBLY SPARK PLUG	1	1	
14	S1060310	SEAL SPARK PLUG	1	1	
15	M1070100	CLAMP MAGNETO LEAD - 2	1	1	
16	0331708	CRR PAN HEAD SCREW M5x12	4	4	
17	M1121040	CLAMP MAGNETO LEAD -1	1	1	
18	N9322450	STATOR ASSEMBLY	1	1	
19	M1200820	CRR PAN HEAD SCREW M6x25	3	3	
20	M1200770	HEX FLANGE NUT M12x1.25	1	1	
21	M1200790	HEX SOCKET HEAD CAP SCREW M6	3	3	
22	N9060400	MAGNETO ASSEMBLY	1	1	
23	N9321920	ROTOR ASSEMBLY	1	1	
24	N9060320	PULSAR COIL	1	1	
25	M1080480	GEAR COMP. STARTER CLUTCH	1	1	
26	R1060110	CLUTCH STARTER ONE WAY	1	1	
27	M1080460	GEAR STARTER IDLE	1	1	
28	M1080490	SPACER STARTER IDLE GEAR	1	1	
29	M1200170	NEEDLE ROLLER BEARING	1	1	
30	N9080440	STOPPER STARTER GEAR	1	1	

FIG. NO. 06



MUFFLER ASSEMBLY

MUFFLER ASSEMBLY

REF. NO.	PART NO.	DESCRIPTION	NO. OFF		REMARKS
			APACHE		
			RTR 180	RTR 180 REF.	
1	N5200180	HEX SOC HD CAP SCREW M8x30	2	2	
2	S1125310	CUSHION	1	1	
3	M1200890	HEX FLANGE U NUT M12x1.25	1	1	
4	N9053160	MUFFLER ASSY. (WITH GUARD)	1	1	
5	N3200210	PUNCHED WASHER 8.2x25x2	2	2	
6	N9053180	MUFFLER COMP. (WITHOUT GUARD)	1	1	
7	N9051850	CUSHION GUARD EXHAUST	1	1	
8	N9051520	DAMPER BRACKET EXHAUST	1	1	
9	N9051860	CUP WASHER	3	3	
10	0335518	PUNCHED WASHER 8.2x16x1.2	2	2	
11	N9221180	GUARD EXHAUST REAR	1	1	
12	N8200150	HEX BOLT M8x60	1	1	
13	N8050690	INSULATOR GUARD EXHAUST	3	3	
14	R1200220	SPL SCREW PAN HEAD SCREW M6x12	2	2	
15	N9053170	GASKET EXHAUST PIPE	1	1	
16	N9221200	GUARD EXHAUST FRONT	1	1	
17	N9200100	HEX FLANGE BOLT M6x8	2	2	

FIG. NO. 07

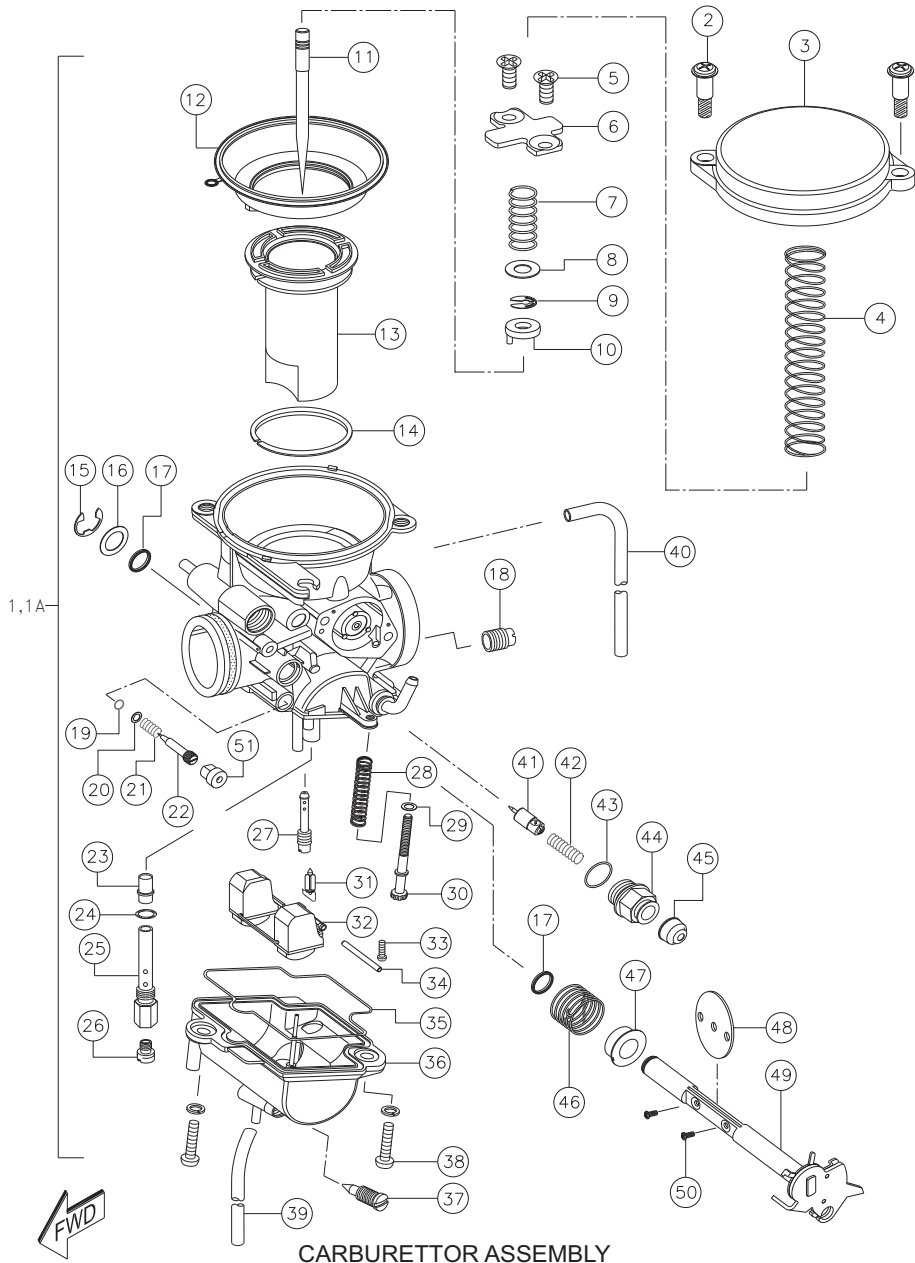


FIG. NO. 07

CARBURETTOR ASSEMBLY

REF. NO.	PART NO.	DESCRIPTION	NO. OFF		REMARKS
			APACHE		
			RTR 180	RTR 180 REF.	
1	N9041400	CARBURETTOR ASSY.	1	-	
1A	N9041400N	CARBURETTOR ASSY.	-	1	
2	M1040530	SCREW DIAPHRAGM COVER	2	2	
3	M1040190	COVER DIAPHRAGM	2	2	
4	M7320220	SPRING DIAPHRAGM	1	1	
5	M1040760	SCREW PLATE JET NEEDLE	2	2	
6	M1040910	PLATE JET NEEDLE	1	1	
7	M1040770	SPRING JET NEEDLE	1	1	
8	M1040780	PACKING JET NEEDLE	1	1	
9	M1040250	E- RING JET NEEDLE	1	1	
10	N9322960	RING JET NEEDLE	1	1	
11	N9322870	JET NEEDLE (NEEDLE)	1	1	
12	M1040220	DIAPHRAGM	1	1	
13	N9322880	PISTON VALVE	1	1	
14	M1040800	RING PISTON VALVE	1	1	
15	M1040500	E-RING THROTTLE SHAFT	1	1	
16	M1040510	PACKING THROTTLE SHAFT	1	1	
17	M1040520	O RING THROTTLE SHAFT	2	2	
18	M1041070	AIR JET (PAM 2) - 145	1	1	
19	M1040430	O RING MCS	1	1	
20	M1040420	WASHER MCS	1	1	
21	M1040410	SPRING MCS	1	1	
22	N9322940	MIXTURE CONTROL SCREW (MCS)	1	1	
23	N9322890	NEEDLE JET (JET)	1	1	
24	M1040810	O RING JET HOLDER	1	1	
25	N9322900	JET HOLDER	1	1	
26	N9322910	MAIN JET	1	1	

FIG. NO. 07

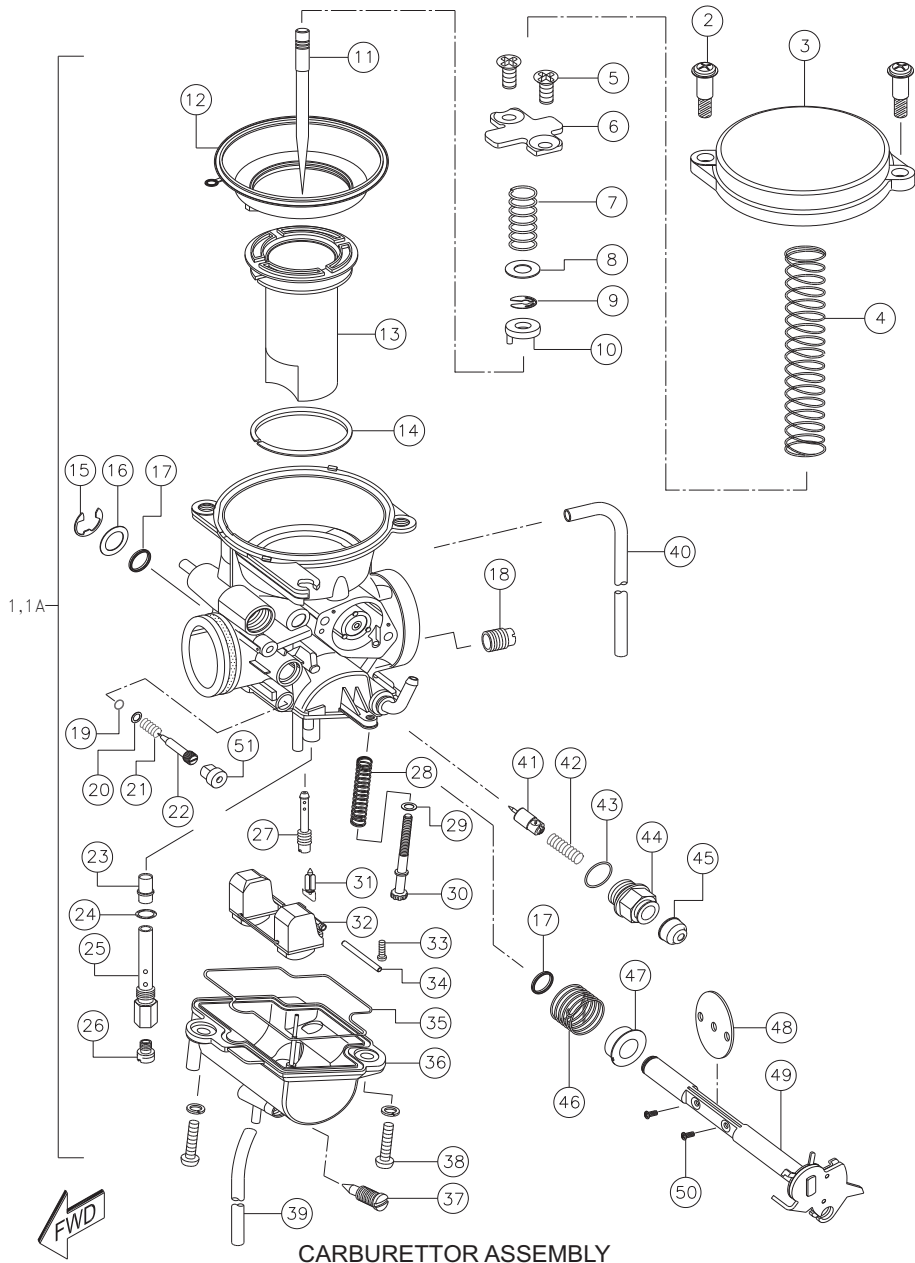


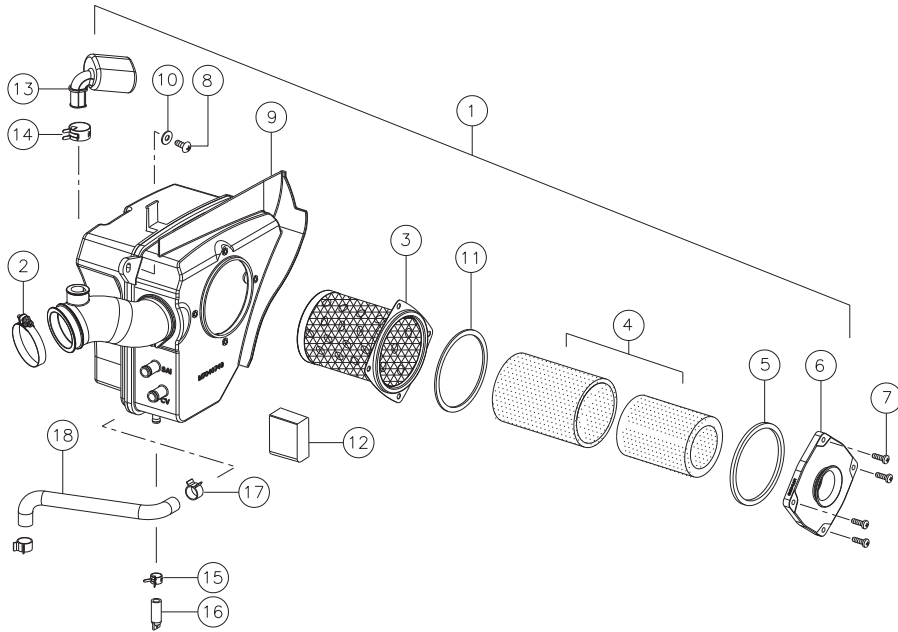
FIG. NO. 07

CARBURETTOR ASSEMBLY

REF. NO.	PART NO.	DESCRIPTION	NO. OFF		REMARKS
			APACHE		
			RTR 180	RTR 180 REF.	
27	N9322920	PILOT JET (15)	1	1	
28	M1040490	SPRING IDLING SCREW	1	1	
29	M1040470	PACKING IDLING SCREW	1	1	
30	M1040460	IDLING SCREW	1	1	
31	N9322950	NEEDLE VALVE ASSEMBLY	1	1	
32	M1040340	FLOAT ASSEMBLY	1	1	
33	M1040280	SCREW VALVE SEAT	1	1	
34	M1040290	PIN FLOAT	1	1	
35	M1040820	SEAL BOWL	1	1	
36	N9322930	FLOAT BODY ASSEMBLY	1	1	
37	M1040440	SCREW DRAIN	1	1	
38	M1040540	SCREW FLOAT CHAMBER	2	2	
39	M7321340	HOSE DRAIN	1	1	
40	M7321350	HOSE AIR VENT	1	1	
41	M1040370	PLUNGER STARTER	1	1	
42	M1040380	SPRING STARTER	1	1	
43	M1040870	O RING STARTER	1	1	
44	M1040390	GUIDE HOLDER ASSEMBLY	1	1	
45	M1040570	CAP STARTER	1	1	
46	----	SPRING THROTTLE SHAFT	1	1	N.S
47	----	BUSH THROTTLE SHAFT	1	1	N.S
48	----	THROTTLE VALVE	1	1	N.S
49	----	THROTTLE SHAFT	1	1	N.S
50	M1040900	SCREW THROTTLE VALVE	1	1	
51	M1040940	CAP CARBURETTOR	1	1	
52	N9324480	PLUNGER ASSY.	-	1	N.I

N.I - NOT ILLUSTRATED
N.S - NOT SERVICE

FIG. NO. 08



AIR CLEANER ASSEMBLY

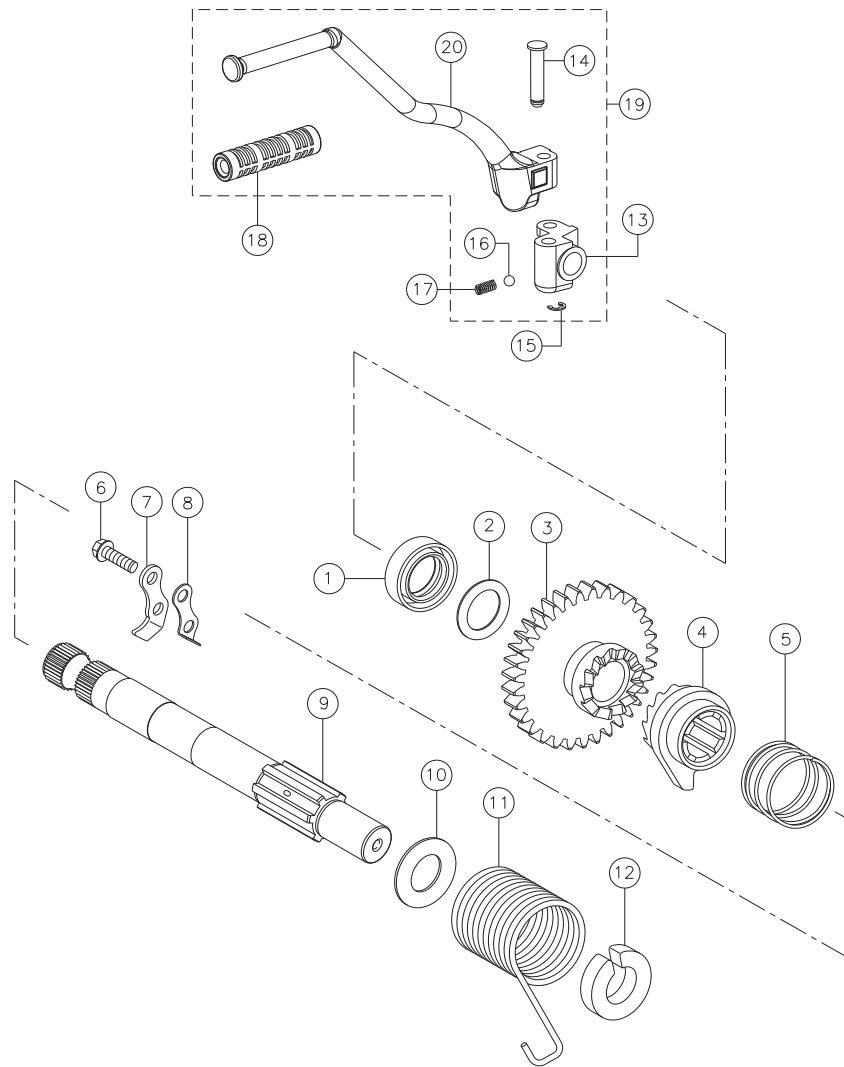
FIG. NO. 08

AIR CLEANER ASSEMBLY

REF. NO.	PART NO.	DESCRIPTION	NO. OFF		REMARKS
			APACHE		
			RTR 180	RTR 180 REF.	
1	M7041070	AIR CLEANER ASSEMBLY	1	1	
2	M1040630	CLAMP OUTLET PIPE	1	1	
3	M1040170	TRAP COMP. FLAME	1	1	
4	M1040700	FILTER COMP. AIR CLEANER	1	1	
5	M1040670	GASKET INLET	1	1	
6	M7041090	INLET COMP. AIR CLEANER	1	1	
7	M1200660	CRR PAN HEAD SCREW M5x16	4	4	
8	0332275	CRR PAN HEAD SCREW	2	2	
9	M7040749	CASE AIR CLEANER	1	1	
10	0335608	PUNCHED WASHER 6.5x16x1.2	2	2	
11	M1040610	GASKET TRAP FLAME	1	1	
12	M7040790	SAI FOAM	1	1	
13	M7040780	RESONATOR	1	1	
14	M7040820	HOSE CLIP DIA 18	1	1	
15	M7041030	HOSE CLIP DRAIN PIPE	1	1	
16	N3040360	DRAIN PIPE	1	1	
17	K140820	HOSE CLIP	2	2	
18	M7041000	BREATHER HOSE PCV	1	1	
19	N9321790	FOAM KIT	1	1	**

** - REF. KIT & KIT CONTENTS

FIG. NO. 09



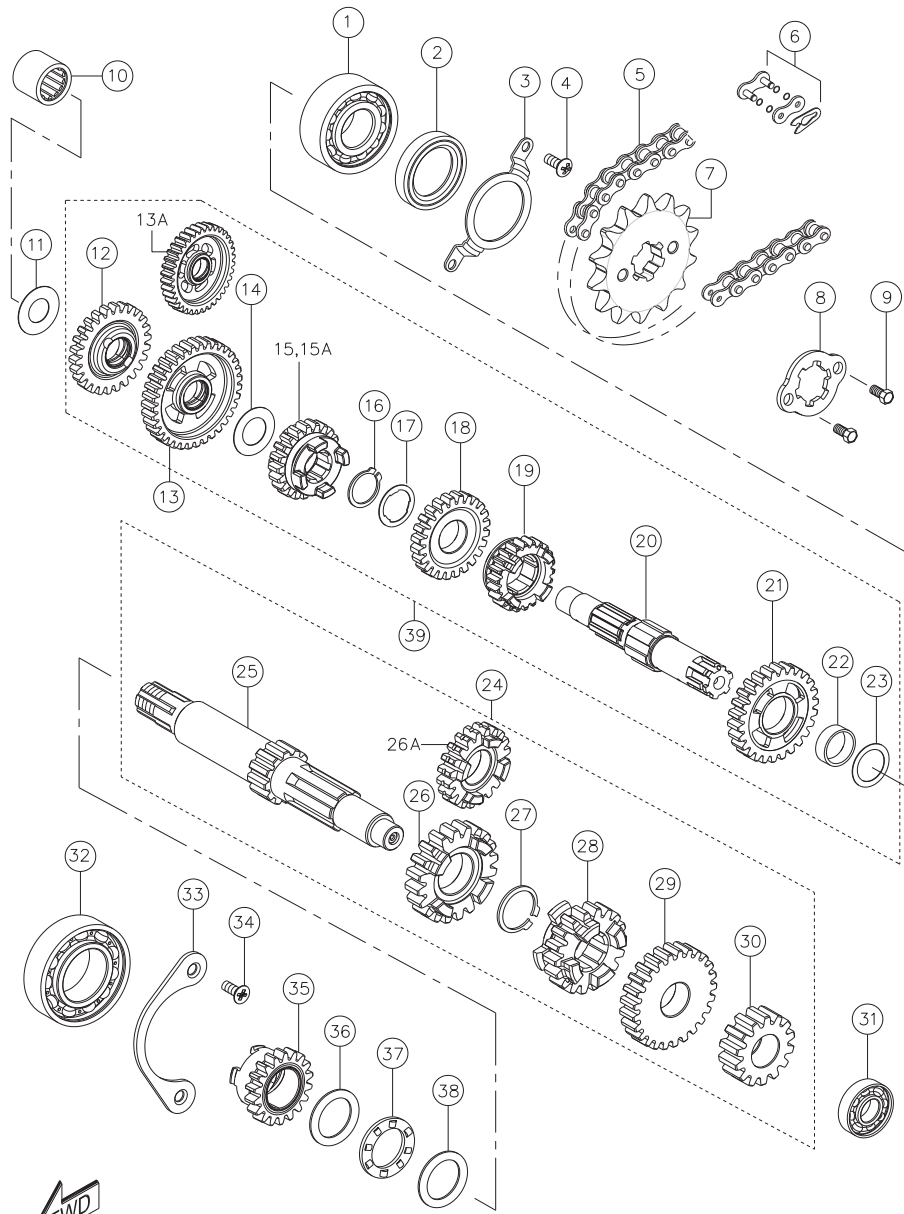
KICK STARTER ASSEMBLY

FIG. NO. 09

KICK STARTER ASSEMBLY

REF. NO.	PART NO.	DESCRIPTION	NO. OFF		REMARKS
			APACHE		
			RTR 180	RTR 180 REF.	
1	N2081720	OIL SEAL KICK STARTER SHAFT	1	1	
2	0335014	SHIM 15x30x1	1	1	
3	M7080570	GEAR KICK STARTER DRIVE	1	1	
4	M1080890	RATCHET KICK STARTER	1	1	
5	M1080930	SPRING KICK STARTER	1	1	
6	M1201190	HEX SCREW M6x30	2	2	
7	M1080900	GUIDE KICK STARTER	1	1	
8	N2081650	STOPPER KICK STARTER	1	1	
9	M7080740	SHAFT KICK STARTER	1	1	
10	0335714	SHIM 16x30x0.5	1	1	
11	M1080940	SPRING KICK SHAFT RETURN	1	1	
12	N3080270	GUIDE KICK STARTER SPRING	1	1	
13	M7081950	JOINT KICK STARTER	1	1	
14	N2081450	PIN LEVER ASSY. KICK STARTER	1	1	
15	N3200240	CIRCLIP - TYPE E	1	1	
16	N2081440	BALL LEVER ASSY. K S LEVER	1	1	
17	N2081430	SPRING LEVER ASSY. KICK STARTER	1	1	
18	N2081760	RUBBER KICK STARTER LEVER	1	1	
19	M7081500	LEVER ASSY. KICK STARTER	1	1	
20	M7081490	LEVER KICK STARTER	1	1	

FIG. NO. 10



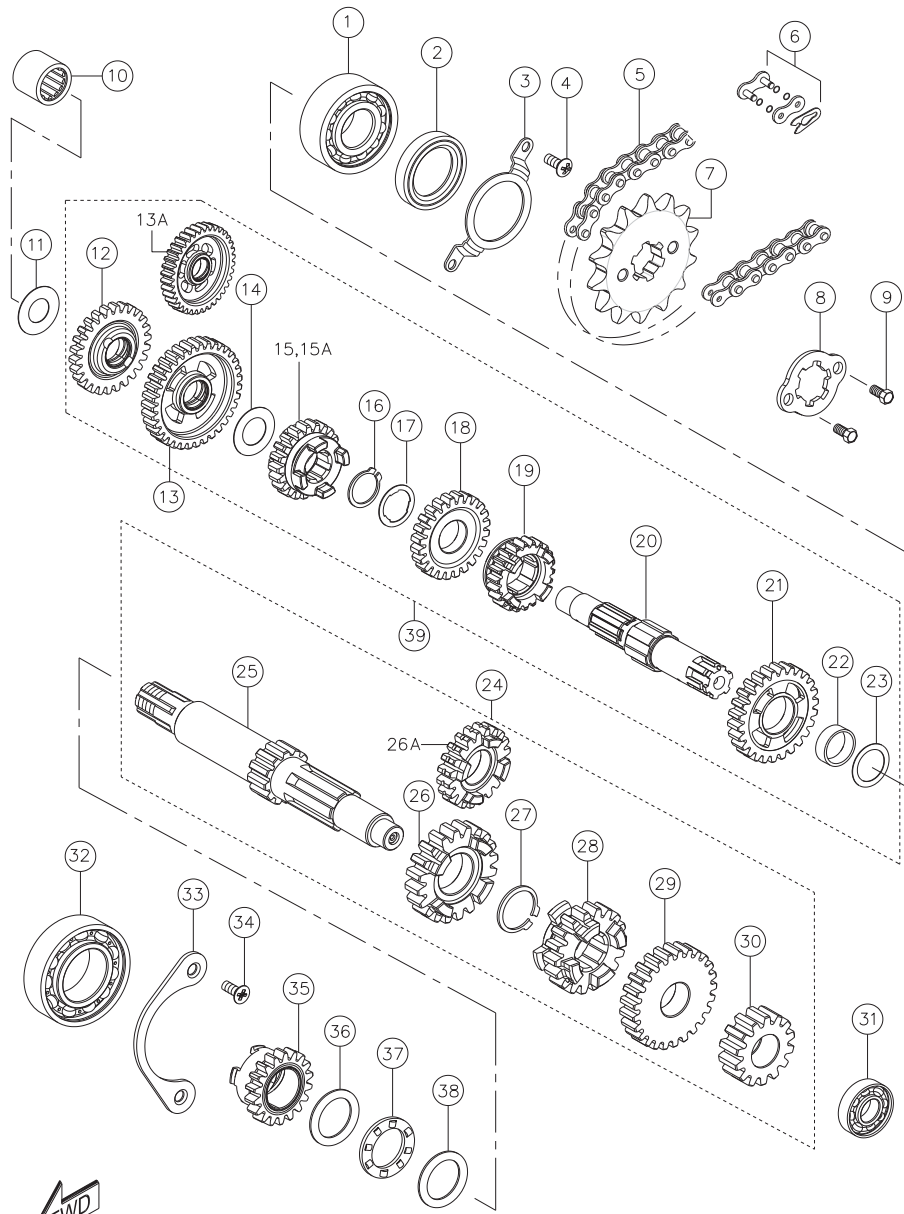
TRANSMISSION ASSEMBLY

FIG. NO. 10

TRANSMISSION ASSEMBLY

REF. NO.	PART NO.	DESCRIPTION	NO. OFF		REMARKS
			APACHE		
			RTR 180	RTR 180 REF.	
1	M1200260	BALL BEARING 20x47x14	1	1	
2	M7200250	OIL SEAL 20x40x6	1	1	
3	M7081100	RETAINER DRIVE SHAFT	1	1	
4	0332068	CRPH SCREW M6x12	2	2	
5	N9112830	DRIVE CHAIN WITH O RING 130 LINKS	1	1	
6	N9322720	LINK SET CHAIN	1	1	
7	N9080250	SPROCKET ENGINE 14T	1	1	
8	M7080870	LOCK PLATE ENGINE SPROCKET	1	1	
9	M1200940	HEX SCREW M5x10	2	2	
10	M7200260	NEEDLE ROLLER BEARING 15x23x12	1	1	
11	0335014	SHIM 15x30x1.0	1	1	
12	M7080400	GEAR COMP. KICK START. IDLE (26T)	1	1	
13	M7080340	GEAR COMP. 1st DRIVEN	1	-	
13A	R1080800	GEAR COMP. 1st DRIVEN	-	1	
14	M7200420	SHIM	1	1	
15	M7080310	GEAR 4th DRIVEN	1	-	
15A	R1081130	GEAR 4th DRIVEN	-	1	
16	0330174	CIRCLIP 20x1.2	1	1	
17	M7080860	SHIM 15x30x1.0	1	1	
18	M7080280	GEAR 3rd DRIVEN	1	1	
19	M7080320	GEAR 5th DRIVEN	1	1	
20	M7081300	SHAFT COMP. DRIVE	1	1	
21	M7080890	GEAR 2nd DRIVEN (26T)	1	1	

FIG. NO. 10



TRANSMISSION ASSEMBLY

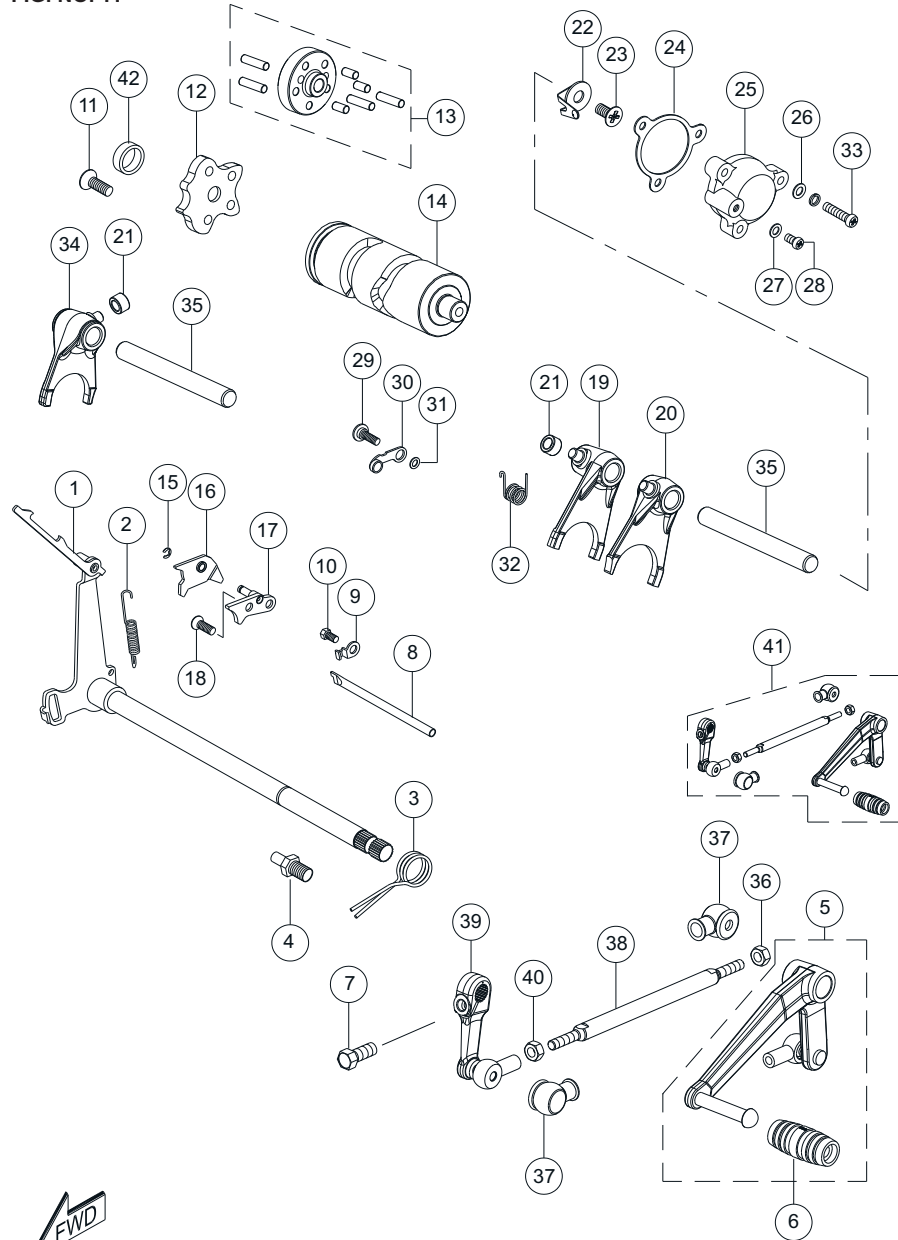
FIG. NO. 10

TRANSMISSION ASSEMBLY

REF. NO.	PART NO.	DESCRIPTION	NO. OFF		REMARKS
			APACHE		
			RTR 180	RTR 180 REF.	
22	N5080060	BUSH 1st DRIVEN	1	1	
23	M7200040	THRUST WASHER	1	1	
24	M7080460	COUNTER SHAFT ASSY.	1	1	
25	M7080439	SHAFT COMP. COUNTER	1	1	
26	M7080309	GEAR 4th DRIVE	1	-	
26A	R1081120	GEAR 4th DRIVE	-	1	
27	0330174	CIRCLIP	1	1	
28	M7080339	GEAR 3rd DRIVE	1	1	
29	M7080299	GEAR 5TH DRIVE	1	1	
30	M7080269	GEAR 2nd DRIVE (14T)	1	1	
31	M1200300	BALL BEARING 12x28x8	1	1	
32	M1200290	BALL BEARING 30x15x13	1	1	
33	M7080530	RETAINER COUNTER BEARING	1	1	
34	0332238	RECESSED CSK HEAD SCREW	2	2	
35	M7080370	GEAR COMP.KICK STARTER DRIVEN	1	1	
36	M7200460	THRUST WASHER	1	1	
37	C8080260	BEARING KS DRIVEN GEAR	1	1	
38	M7200430	SHIM	1	1	
39	M7080450	DRIVE SHAFT SET	1	1	N.I
40	N9323050	CHAIN & SPROCKET KIT(14/46/130)	1	1	**
41	M7321580	OIL SEAL KIT	1	1	**

** - REF. KIT & KIT CONTENTS

FIG. NO. 11



GEAR SHIFT MECHANISM ASSEMBLY

FIG. NO. 11

GEAR SHIFT MECHANISM ASSEMBLY

REF. NO.	PART NO.	DESCRIPTION	NO. OFF		REMARKS
			APACHE		
			RTR 180	RTR 180 REF.	
1	M7081790	SHAFT COMP. GEAR SHIFT	1	1	
2	3040510	SPRING GEAR SHIFT STARTER	1	1	
3	M7081840	SPRING GEAR SHIFT RETURN	1	1	
4	8081410	STOPPER GEAR SHIFT ARM	1	1	
5	M7081640	LEVER ASSY. GEARSHIFT	1	1	
6	M7081740	RUBBER GEAR SHIFT LEVER	1	1	
7	420462700	HEX SCREW M6x20	1	1	
8	M7080690	GUIDE T/M OIL	1	1	
9	M1080740	RETAINER T/M OIL GUIDE	1	1	
10	0332068	CRR PAN HEAD SCREW M6x12	1	1	
11	0331748	CRPH SCREW M6x16	1	1	
12	M7081810	INDEX STAR	1	1	
13	M7081820	PIN HOLDER COMP.	1	1	NEW
14	M7081800	CAM GEAR SHIFT	1	1	
15	8200320	CIRCLIP 5.0	1	1	
16	8081460	ARRESTOR PLATE COMPLETE	1	1	
17	C8080200	GUIDE COMP. GEAR SHIFT	1	1	
18	0332228	CRR CSK HEAD SCREW M6x16	2	2	
19	M7080590	FORK GEAR SHIFT No.2	1	1	
20	M7080580	FORK GEAR SHIFT No.1	1	1	
21	N2081570	SPACER ROLLER GEAR SHIFT FORK PIN	3	3	

FIG. NO. 12

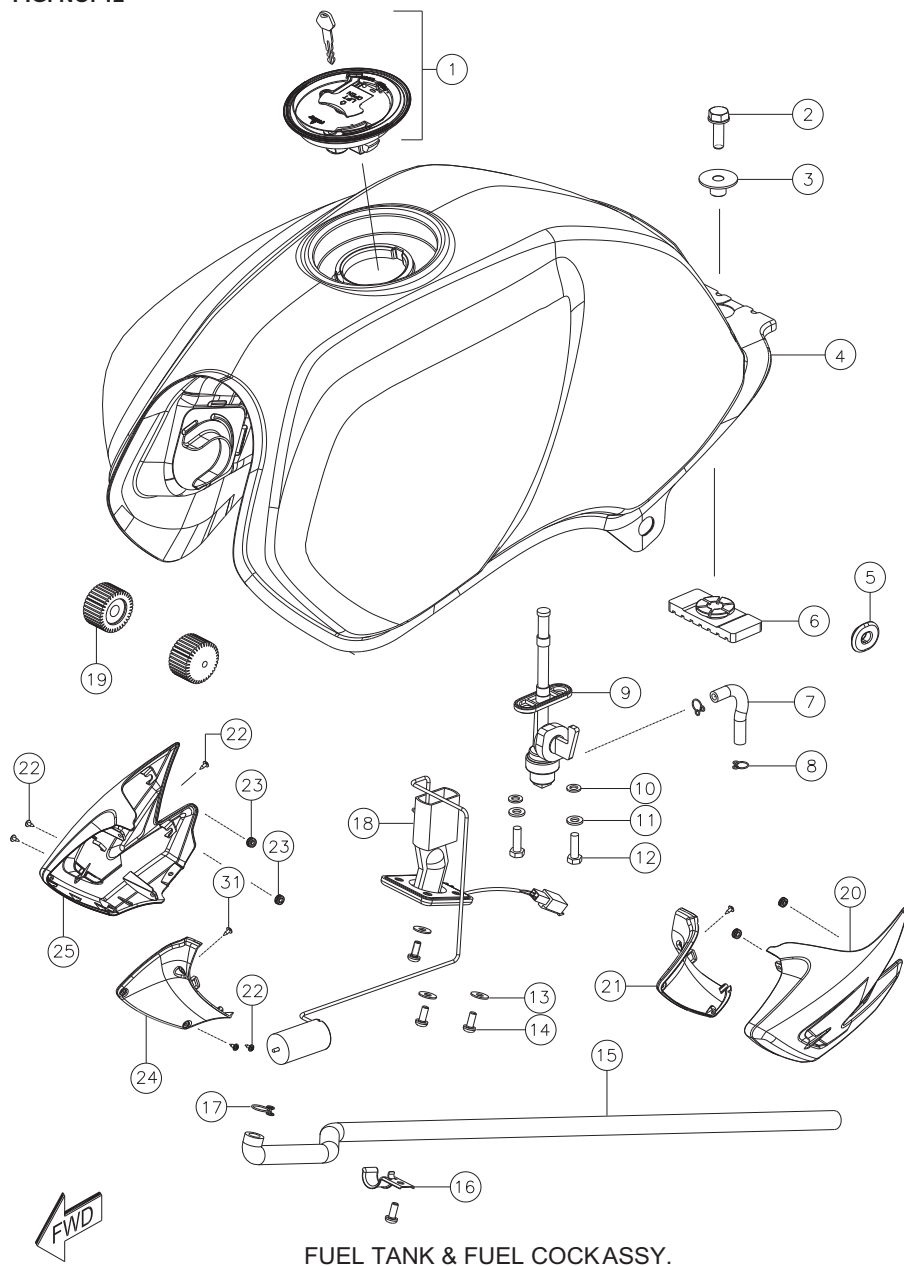
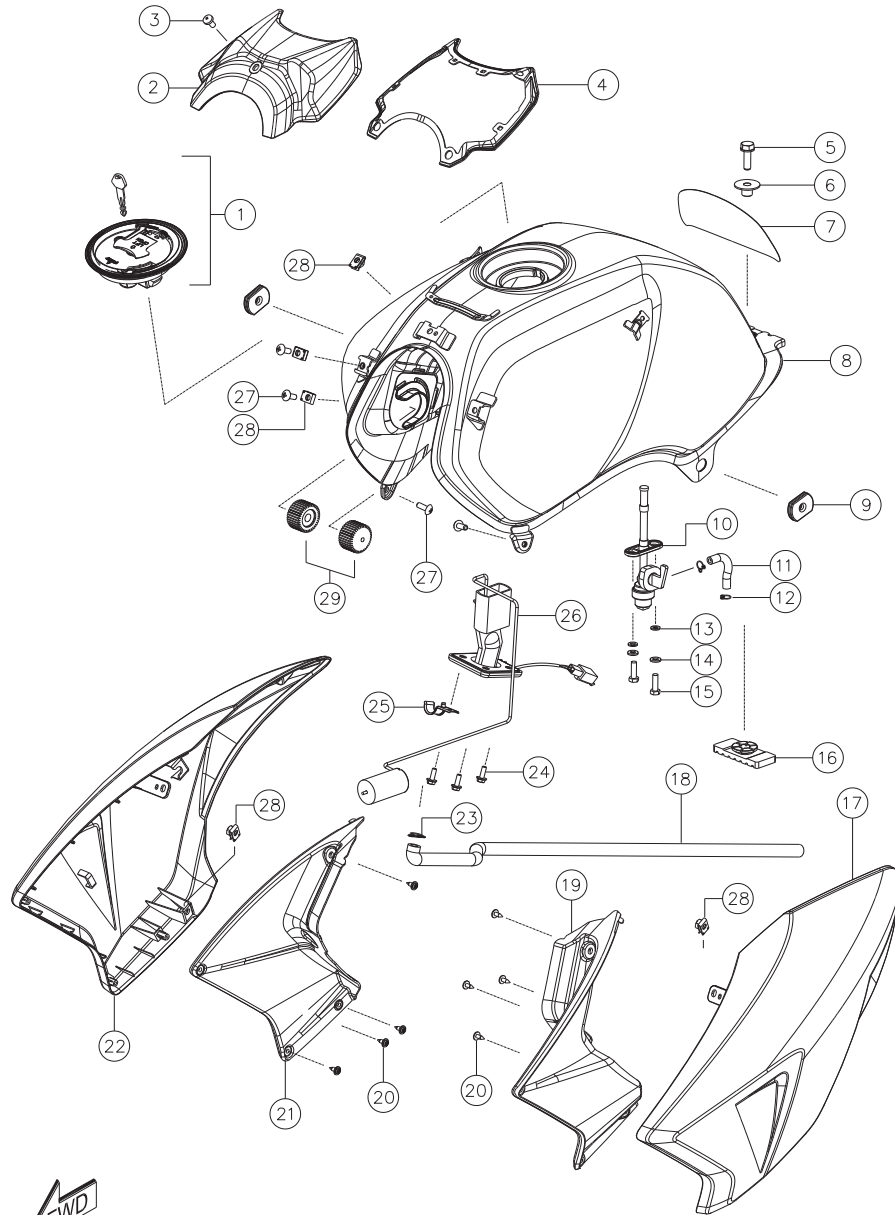


FIG. NO. 12

FUEL TANK & FUEL COCK ASSY.

REF. NO.	PART NO.	DESCRIPTION	NO. OFF		REMARKS
			APACHE		
			RTR 180	RTR 180 REF.	
1	N9140470	CAP FUEL TANK	1	-	
2	M1200480	HEX FLANGE BOLT M8x25	1	-	
3	N9140540	BUSH FUEL TANK REAR MTG.	1	-	
4	----	FUEL TANK COMP.	1	-	REF. COLOR PAGE
5	K122810	CUSHION FRAME COVER	1	-	
6	N9140530	CUSHION FUEL TANK REAR MTG.	1	-	
7	M1140220	HOSE, FUEL	1	-	
8	414147000	HOSE CLIP	1	-	
9	N9140670	FUEL COCK ASSY.	3	-	
10	N3140120	GASKET FUEL COCK	1	-	
11	420001700	PUNCHED WASHER	2	-	
12	420462700	HEX SCREW M6x20	1	-	
13	0335558	PUNCHED WASHER	2	-	
14	0331708	CRR PAN HEAD SCREW	1	-	
15	N9140650	HOSE FUEL TANK	1	-	
16	N9140700	BRACKET FUEL HOSE	2	-	
17	M1040650	HOSE CLIP	1	-	
18	N9160640	FUEL GAUGE ASSY.	1	-	
19	N2140060	CUSHION FUEL TANK FRONT	1	-	
20	----	COVER FUEL TANK LH	1	-	REF. COLOR PAGE
21	N9221859	COVER FUEL TANK INNER LH	1	-	
22	N3200340	CRR FL. PAN HD TAP SCR 4.2x13	1	-	
23	N9141000	CUSHION COVER FUEL TANK	1	-	
24	N9221869	COVER FUEL TANK INNER RH	1	-	
25	----	COVER FUEL TANK RH	1	-	REF. COLOR PAGE

FIG. NO. 12A



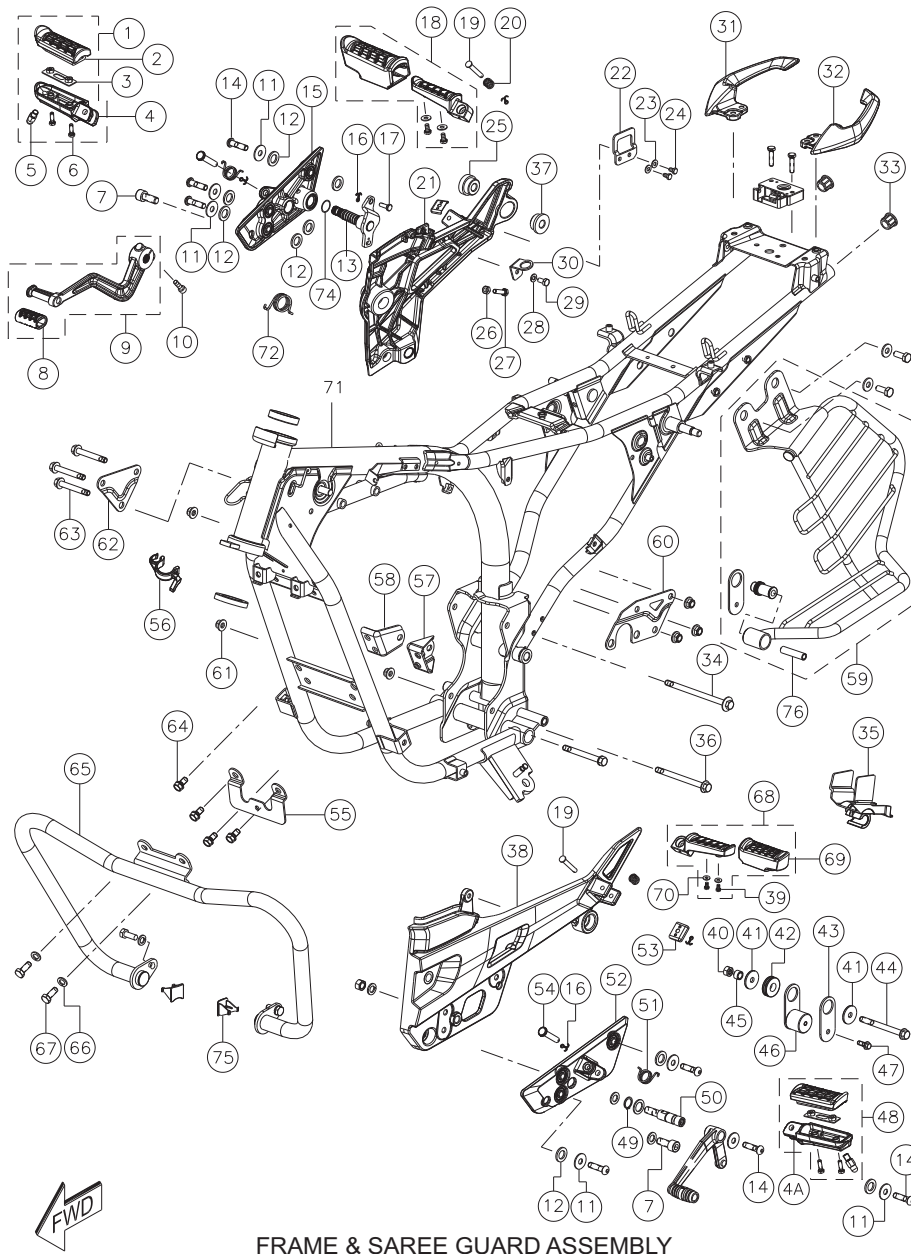
FUEL TANK & FUEL COCK ASSY. (REFRESH)

FIG. NO. 12A

FUEL TANK & FUEL COCK ASSY. (REFRESH)

REF. NO.	PART NO.	DESCRIPTION	NO. OFF		REMARKS
			APACHE		
			RTR 180	RTR 180 REF.	
1	N9140470	CAP FUEL TANK	-	1	
2	N9223920	COVER FUEL TANK ASSY. TOP	-	1	
3	P3200010	CRPH SCREW M6x12	-	1	
4	N92233800	BEADING COVER FUEL TANK TOP	-	1	
5	M1200480	HEX FLANGE BOLT M8x25	-	1	
6	N9140540	BUSH FUEL TANK REAR MTG.	-	1	
7	N9224850	STICKER PROTECTION	-	1	
8	----	FUEL TANK COMP.	-	1	REF. COLOR PAGE
9	K122810	CUSHION FRAME COVER	-	1	
10	N9140670	FUEL COCK ASSY.	-	1	
11	M1140220	HOSE, FUEL	-	1	
12	414147000	HOSE CLIP	-	1	
13	N3140120	GASKET FUEL COCK	-	1	
14	420001700	PUNCHED WASHER	-	1	
15	420462700	HEX SCREW M6x20	-	1	
16	N9140530	CUSHION FUEL TANK REAR MTG.	-	1	
17	----	COVER FUEL TANK OUTER LH	-	1	REF. COLOR PAGE
18	N9140650	HOSE FUEL TANK	-	1	
19	N9222890	COVER FUEL TANK INNER LH	-	1	
20	N3200340	CRR FL. PAN HD TAP SCR 4.2x13	-	8	
21	N9222910	COVER FUEL TANK INNER RH	-	1	
22	----	COVER FUEL TANK OUTER RH	-	1	REF. COLOR PAGE
23	M1040650	HOSE CLIP	-	1	
24	R1200380	HEX FLANGE BOLT M5x14	-	4	
25	N9140700	BRACKET FUEL HOSE	-	1	
26	N9160640	FUEL GAUGE ASSY.	-	1	
27	0332275	CRPH SCREW M6x16	-	4	
28	K3200840	RETAINER CLIP NUT M6	-	5	
29	N2140060	CUSHION FUEL TANK FRONT	-	1	

FIG. NO. 13



FRAME & SAREE GUARD ASSEMBLY

FIG. NO. 13

FRAME & SAREE GUARD ASSY.

REF. NO.	PART NO.	DESCRIPTION	NO. OFF		REMARKS
			APACHE		
			RTR 180	RTR 180 REF.	
1	N9123920	RIDER FOOTPEG ASSY. RH	1	-	
2	N9124050	SLEEVE RIDER FOOTREST	2	-	
3	N9123990	CLAMP COMP. RIDER FOOTREST	2	-	
4	N9124040	RIDER FOOTPEG RH	1	-	
4A	N9124030	RIDER FOOTPEG LH	1	-	
5	N9124000	STUD RIDER FOOTREST	2	-	
6	420510700	HEX SCREW M5x16	4	-	
7	N9200250	HEX SOC HD CAP SCREW M10x25	2	-	
8	N9112000	SLEEVE BRAKE PEDAL	1	-	
9	N9112010	BRAKE PEDAL ASSY.	1	-	
10	N2200470	HEX SOC HD CAP SCREW M6x20	1	-	
11	N9200220	PUNCHED WASHER 8.5x24x1.6	6	-	
12	N9124450	RUBBER WASHER RIDER FOOTREST	6	-	
13	N9111840	SHAFT COMP. BRAKE PEDAL	1	-	
14	N9200230	SBHC SCREW M8x30	6	-	
15	N9124300	RIDER FOOTREST COMP. RH	1	-	
16	0330048	SPLIT PIN 2.0x20	5	-	
17	N2110600	PIN REAR BRAKE CONNECTOR	2	-	
18	N9125030	PILLION FOOT PEG ASSY. RH	1	-	
19	N9121790	PIN PILLION FOOTREST	2	-	
20	N9123980	SPRING FOOTREST	2	-	
21	N92210207D	PILLION FOOTREST RH	2	-	
22	N9220880	BRKT COVER LOCK	1	-	
23	0335558	PUNCHED WASHER 5.5x12x1	2	-	
24	C1200020	HEX SCREW	2	-	
25	N9125580	CUSHION EXHAUST MTG	1	-	

FIG. NO. 13

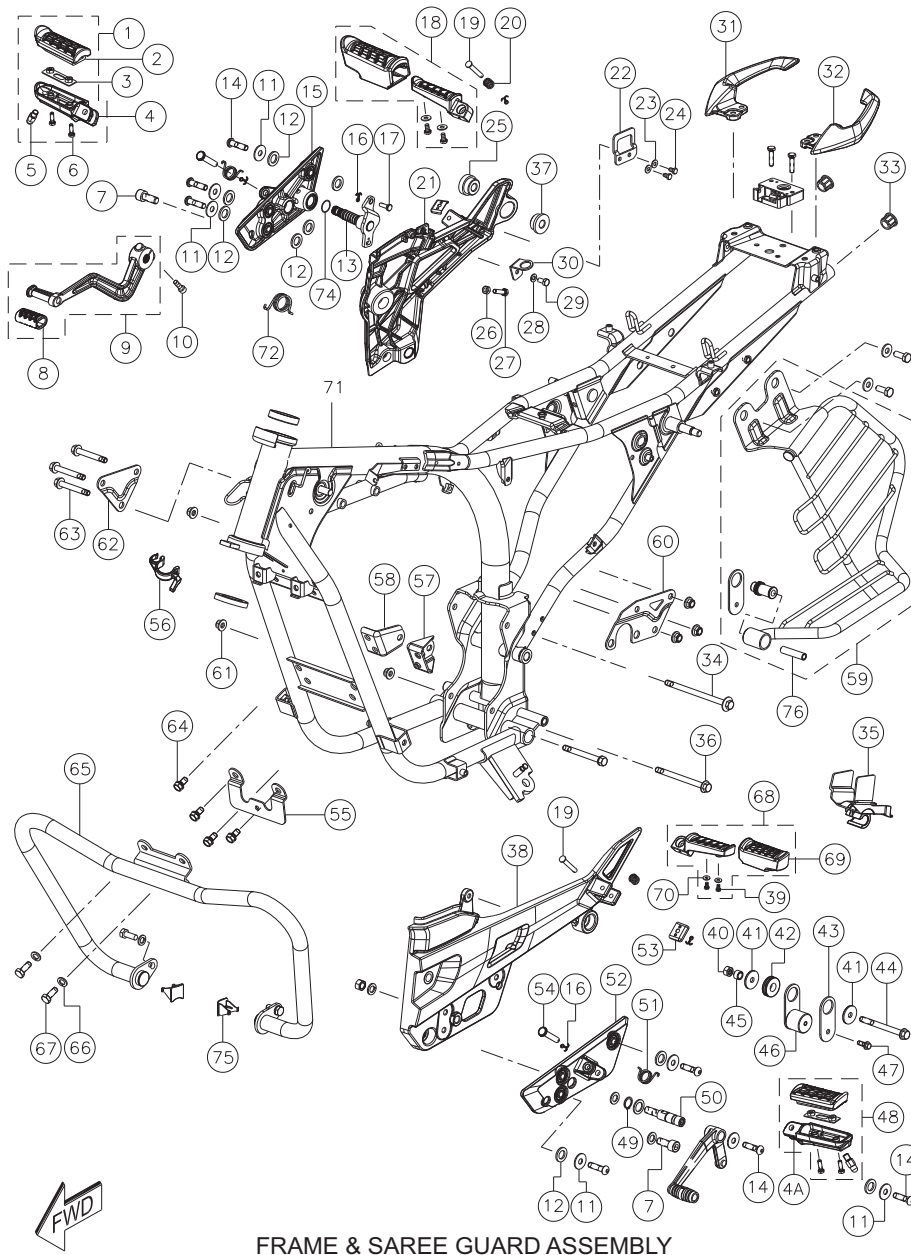


FIG. NO. 13

FRAME & SAREE GUARD ASSY.

REF. NO.	PART NO.	DESCRIPTION	NO. OFF		REMARKS
			APACHE		
			RTR 180	RTR 180 REF.	
26	420305700	HEX NUT M6	1	-	
27	420462700	HEX SCREW M6x20	1	-	
28	0330408	WAVE SPRING WASHER M6	1	-	
29	420452700	HEX SCREW M6x12	1	-	
30	N9112140	BRACKET BRAKE SWITCH	1	-	
31	N92210607D	PILLION HANDLE RH	1	-	
32	N92210507D	PILLION HANDLE LH	1	-	
33	N3120410	PLUG TUBE UPPER	2	-	
34	M1200120	HEX FLANGE BOLT M8x120	1	-	
35	N9091630	GUIDE DRIVE CHAIN	1	-	
36	M1200110	HEX FLANGE BOLT M8x95	1	-	
37	N9124890	CUSHION EXHAUST MTG	1	-	
38	N92210107D	PILLION FOOTREST LH	1	-	
39	420452700	HEX SCREW M6x12	4	-	
40	0334548	HEX NUT M8	1	-	
41	3257598	WASHER	2	-	
42	N9125070	CUSHION	1	-	
43	N9125040	SIDE PLATE	1	-	
44	M3200060	HEX FL. BOLT M8x85	1	-	
45	N9125060	BUSH SAREE GUARD	1	-	
46	N9125050	BALANCER MASS COMP.	1	-	
47	N3200150	HEX SCREW	1	-	
48	N9123930	RIDER FOOTPEG ASSY. LH	1	-	
49	U6200030	CIRCLIP DIA 14	1	-	
50	N9221560	PIN GEAR SHIFT LEVER	1	-	

FIG. NO. 13

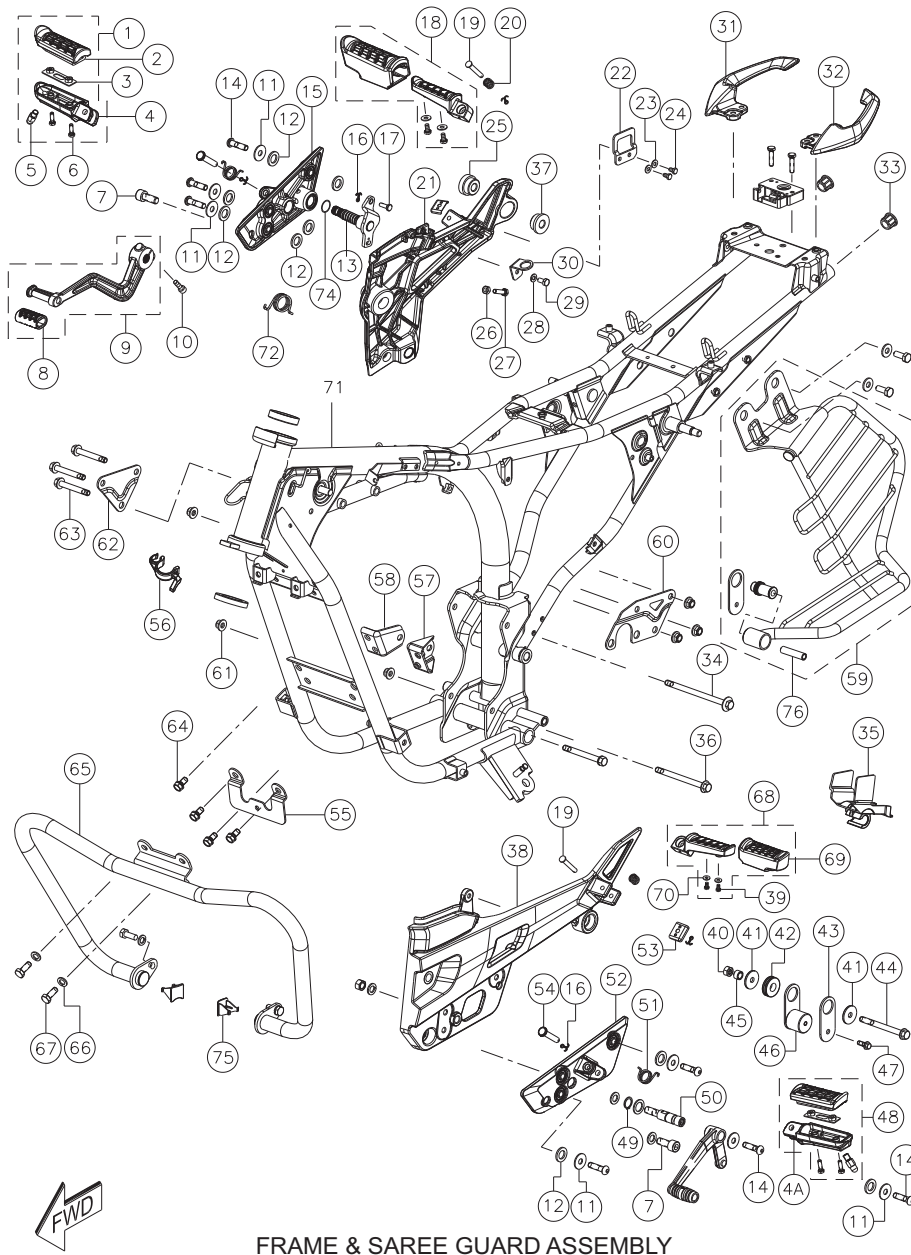
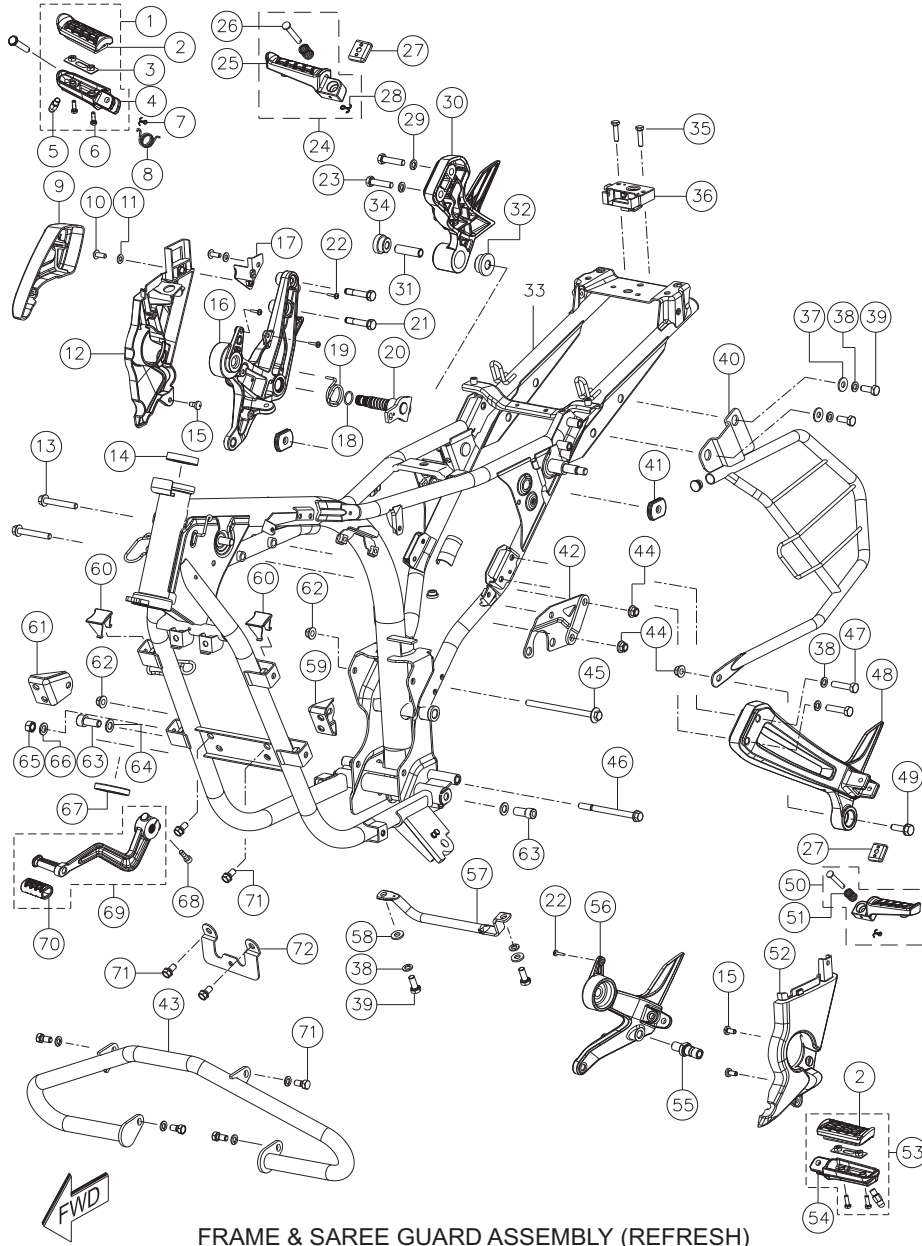


FIG. NO. 13

FRAME & SAREE GUARD ASSY.

REF. NO.	PART NO.	DESCRIPTION	NO. OFF		REMARKS
			APACHE		
			RTR 180	RTR 180 REF.	
51	N9124020	TORSION SPRING FOOTPEG	2	-	
52	N9124200	RIDER FOOTREST COMP. LH	1	-	
53	N9123970	GUIDE PILLION FOOT PEG LH	2	-	
54	N9200310	CLEVIS PIN B8x42	2	-	
55	N9221440	BRKT COMP. GUARD CENTER	1	-	
56	N9200280	CABLE CLIP DIA 18	1	-	
57	N9124990	BRKT ENGINE MTG FRONT LH	1	-	
58	N9125000	BRKT ENGINE MTG FRONT RH	1	-	
59	N9221710	SAREE GUARD COMP.	1	-	
60	N9122990	BRKT ENGINE MTG. UPPER LH	1	-	
61	M1200890	HEX FLANGE NUT M8	6	-	
62	N9123000	BRKT ENGINE MTG. UPPER RH	1	-	
63	M7200070	HEX FLANGE BOLT M8x55	3	-	
64	0331058	HEX BOLT +SPRING WASHER M8x16	4	-	
65	N9221690	CRASH GUARD COMP.	1	-	
66	0330318	WAVE SPRING WASHER	4	-	
67	420454700	HEX SCREW M8x20	4	-	
68	N9125020	PILLION FOOT PEG ASSY. LH	1	-	
69	N9125010	SLEEVE PILLION FOOTREST	2	-	
70	0335605	PUNCHED WASHER 6.5x16x1.2	4	-	
71	N9124380	FRAME COMP.	1	-	
72	N9111870	BRAKE RETURN SPRING	1	-	
73	N9111680	ROD COMP. REAR BRAKE	1	-	
74	N9200300	O RING BRAKE PEDAL	1	-	
75	N9123750	COVER BRACKET CRASHGUARD	2	-	
76	N9125590	SPACER MUFFLER BRKT	1	-	

FIG. NO. 13A



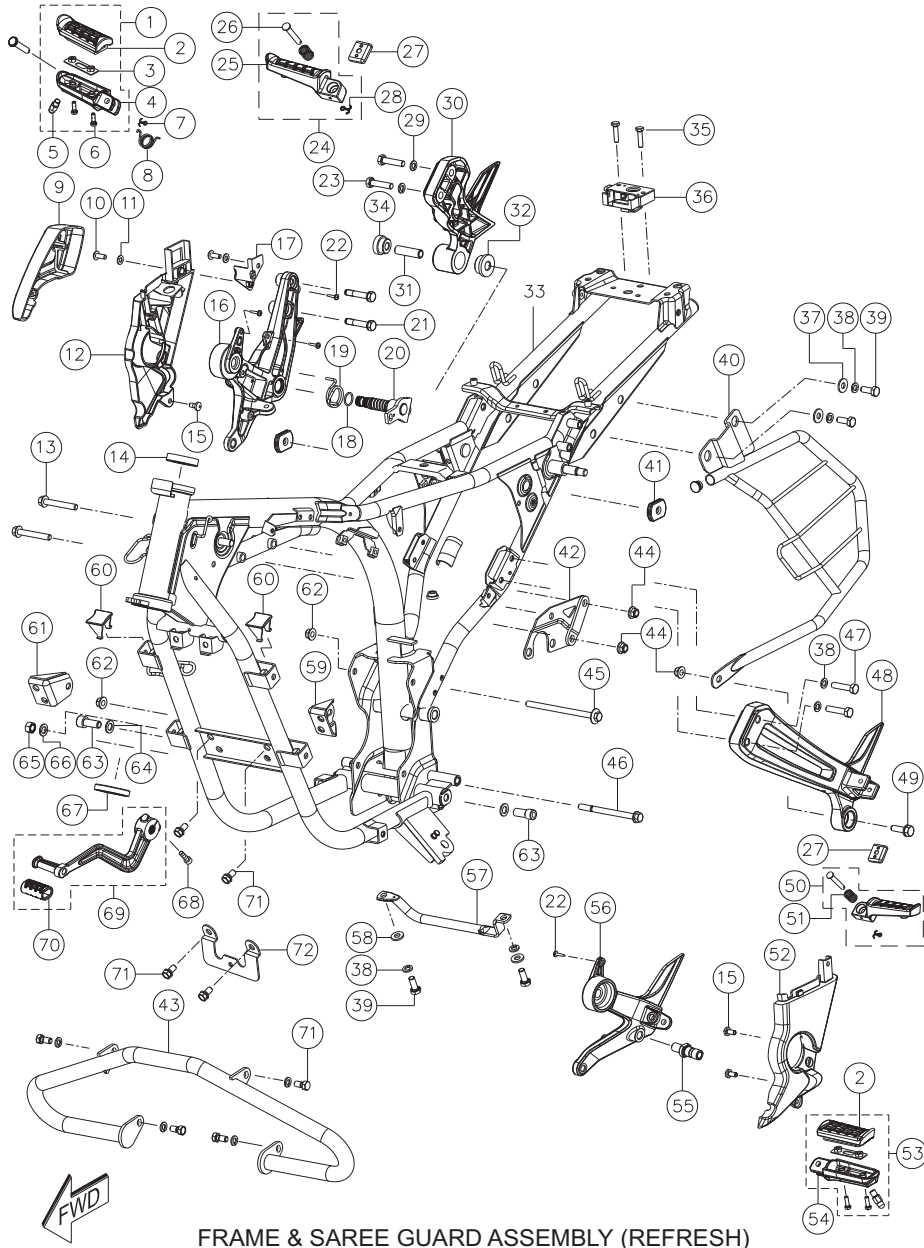
FRAME & SAREE GUARD ASSEMBLY (REFRESH)

FIG. NO. 13A

FRAME & SAREE GUARD ASSY. (REFRESH)

REF. NO.	PART NO.	DESCRIPTION	NO. OFF		REMARKS
			APACHE		
			RTR 180	RTR 180 REF.	
1	N9123920	RIDER FOOTPEG ASSY. RH	-	1	
2	N9124050	SLEEVE RIDER FOOTREST	-	2	
3	N9123990	CLAMP COMP. RIDER FOOTREST	-	2	
4	N9124050	RIDER FOOTPEG RH	-	1	
5	N9124000	STUD RIDER FOOTREST	-	2	
6	420510700	HEX SCREW M5x16	-	4	
7	420510700	SPLIT PIN 2.0x20	-	2	
8	N9123980	SPRING FOOTREST	-	2	
9	N9126160	COVER MASTER CYLINDER	-	1	
10	0332275	SCREW CRPH M6x16	-	2	
11	0335578	PUNCHED WASHER 6.5x13x1	-	1	
12	N9223080	COVER FRAME BOTTOM RH	-	1	
13	M7200070	HEX FLANGE BOLT M8x55	-	2	
14	S1125290	RACE STEERING INNER	-	1	
15	P3200010	CRPH SCREW M6x12	-	4	
16	N9125980	RIDER FOOTREST DISC RH	-	1	
17	N9223950	BRKT COVER FRAME HEAD	-	1	
18	N9200300	O RING PEADAL BRAKE	-	1	
19	N9111870	BRAKE RETURN SPRING	-	1	
20	N9111840	SHAFT COMP BRAKE PEDAL	-	1	
21	420955700	HEX SCREW M8x40	-	1	
22	K200320	CRR PAN HD TAP SCR 4.2x16	-	4	
23	S1101250	HEX BOLT M8x35	-	2	
24	N9222960	PILLION FOOT PEG ASSY. RH	-	1	

FIG. NO. 13A



FRAME & SAREE GUARD ASSEMBLY (REFRESH)

FIG. NO. 13A

FRAME & SAREE GUARD ASSY. (REFRESH)

REF. NO.	PART NO.	DESCRIPTION	NO. OFF		REMARKS
			APACHE		
			RTR 180	RTR 180 REF.	
25	N9123940	PILLION FOOT PEG RH	-	1	
26	N9121790	PIN PILLION FOOTREST	-	1	
27	N9121970	GUIDE PILLION FOOT PEG	-	2	
28	0330048	SPLIT PIN 2x20	-	1	
29	0330318	WAVE SPRING WASHER M8	-	4	
30	N9222850	PILLION FOOTREST RH	-	1	
31	N9125590	SPACER	-	1	
32	N9124890	CUSHION EXHAUST MTG SMALL	-	1	
33	N9125860	FRAME COMP.	-	1	
34	N9125580	CUSHION EXHAUST MTG BIG	-	1	
35	420463700	HEX SCREW M6x25	-	2	
36	N9123220	LATCH ASSY.	-	1	
37	0336018	PUNCHED WASHER 8.5x20x2	-	2	
38	0330318	SPRING WASHER	-	6	
39	420454700	HEX SCREW M8x20	-	4	
40	N9220800	SAREE GUARD COMP.	-	1	
41	K122810	CUSHION COVER FRAME	-	1	
42	N9122990	BRKT LH ENG. MTG UPPER	-	1	
43	N9223280	CRAUSHGUARD COMP	-	1	
44	M1200890	U NUT M8x1.2	-	3	
45	M1200120	HEX FLANGE BOLT M8x120	-	1	
46	N5200330	HEX FLANGE BOLT M8x100	-	1	
47	S1101250	HEX BOLT M8x35	-	2	
48	N9222840	PILLION FOOTREST LH	-	1	

FIG. NO. 13A

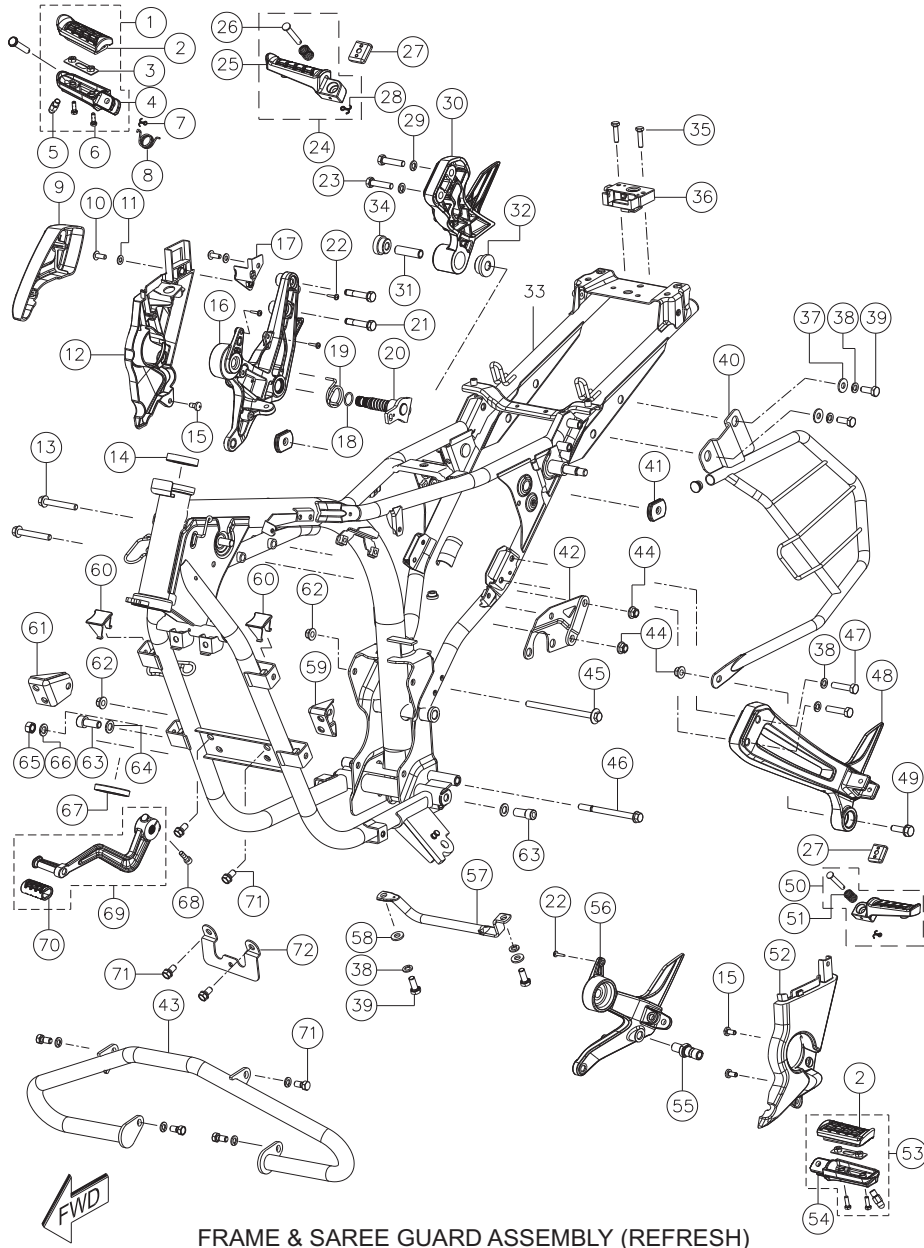
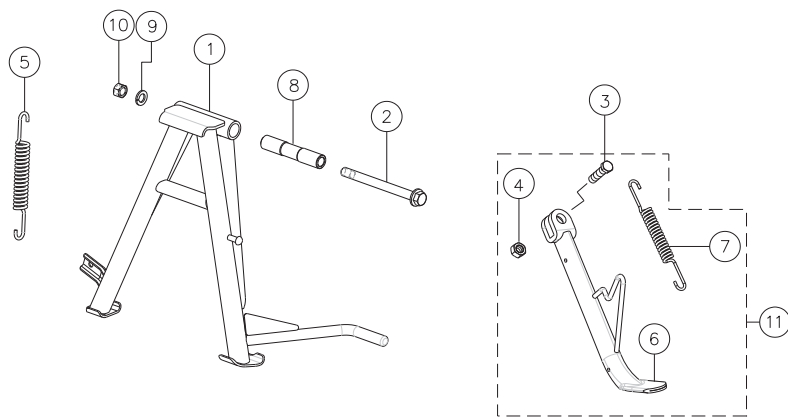


FIG. NO. 13A

FRAME & SAREE GUARD ASSY. (REFRESH)

REF. NO.	PART NO.	DESCRIPTION	NO. OFF		REMARKS
			APACHE		
			RTR 180	RTR 180 REF.	
49	M1200480	HEX FLANGE BOLT M8x25	-	3	
50	N9222950	PILLION FOOT PEG ASSY. LH	-	1	
51	N9123980	SPRING FOOTREST	-	2	
52	N9223070	COVER FRAME BOTTOM LH	-	1	
53	N9123930	RIDER FOOTREST ASSY. LH	-	1	
54	N9124030	RIDER FOOTPEG . LH	-	1	
55	N9125990	PIN GEARSHIFT LEVER	-	1	
56	N9125920	PILLION FOOTREST LH	-	1	
57	N9126170	CONNECTOR FOOTREST	-	1	
58	M1200060	PUNCHED WASHER	-	2	
59	N9124990	BRKT ENG. MTG FRONT LH	-	1	
60	N9123750	COVER BRKT CRAUSHGUARD	-	4	
61	N9125000	BRKT ENG. MTG FRONT RH	-	1	
62	M1200890	U NUT M8x1.2	-	2	
63	N9200250	HEX SOC HD CAP SCREW M10x25	-	2	
64	0335528	PUNCHED WASHER	-	2	
65	0334038	HEX NUT M10	-	1	
66	0330328	WAVE SPRING WASHER M10	-	1	
67	K3100590	CUP BOTTOM	-	1	
68	N22000470	HEX SOC HD CAP SCREW M6x20	-	1	
69	N9112010	BRAKE PEDAL ASSY.	-	1	
70	N9112000	SLEEVE BRAKE PEDAL	-	1	
71	0331058	HEX BOLT +SPRING WASHER M8x16	-	6	
72	N9221440	BRKT COMP. GUARD CENTER	-	1	

FIG. NO. 14



CENTER STAND & PROP STAND ASSY.

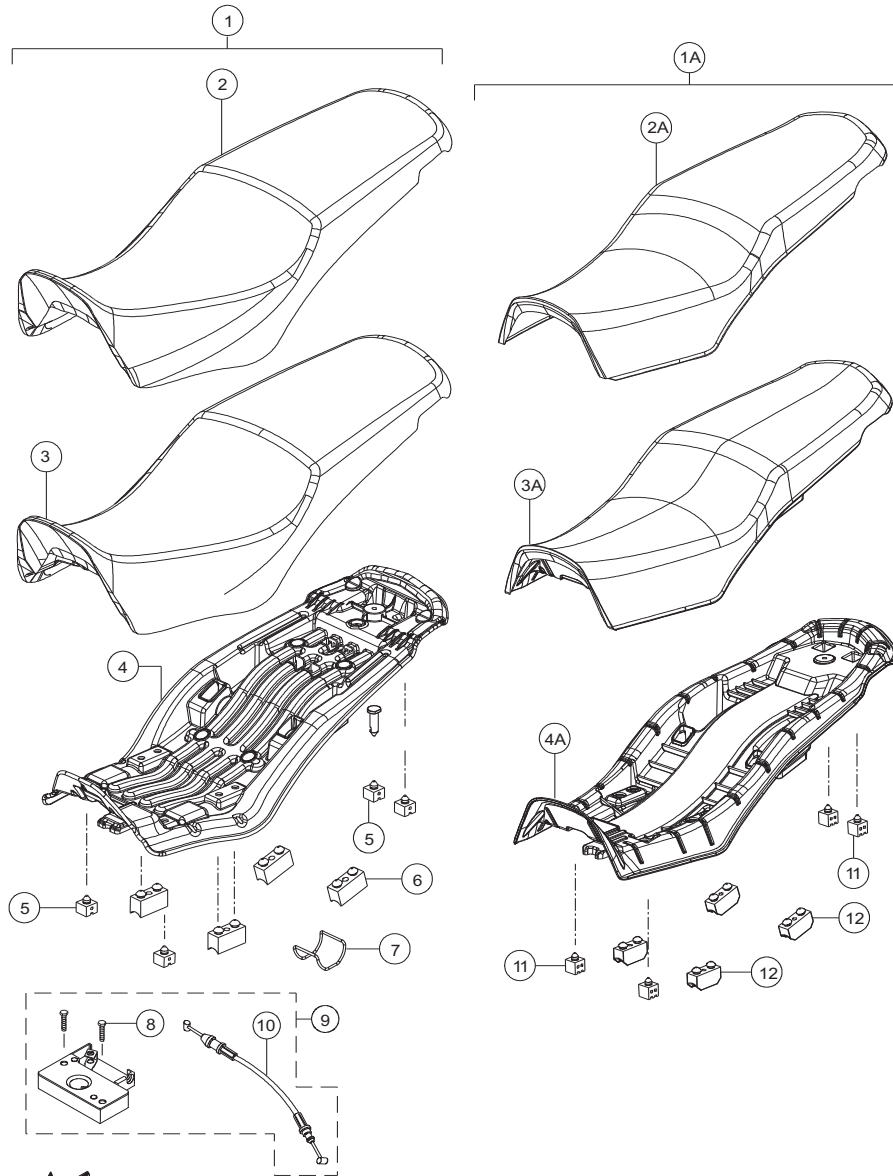
FIG. NO. 14

CENTER STAND & PROP STAND ASSY.

REF. NO.	PART NO.	DESCRIPTION	NO. OFF		REMARKS
			APACHE		
			RTR 180	RTR 180 REF.	
1	N9124730	CENTER STAND COMP.	1	1	
2	N8200050	BOLT CENTER STAND	1	1	
3	N9200210	BOLT	1	1	
4	M1201000	HEX NUT M8	1	1	
5	N3120860	SPRING CENTER STAND	1	1	
6	N9124640	PROP STAND COMP.	1	1	
7	N5121610	SPRING PROP STAND	1	1	
8	N3121540	SPACER CENTER STAND	1	1	
9	0330328	WAVE SPRING WASHER	1	1	
10	0334038	HEX NUT M10x1.25	1	1	
11	N9321940	PROP STAND KIT	1	1	**

** - REF. KIT & KIT CONTENTS

FIG. NO. 15



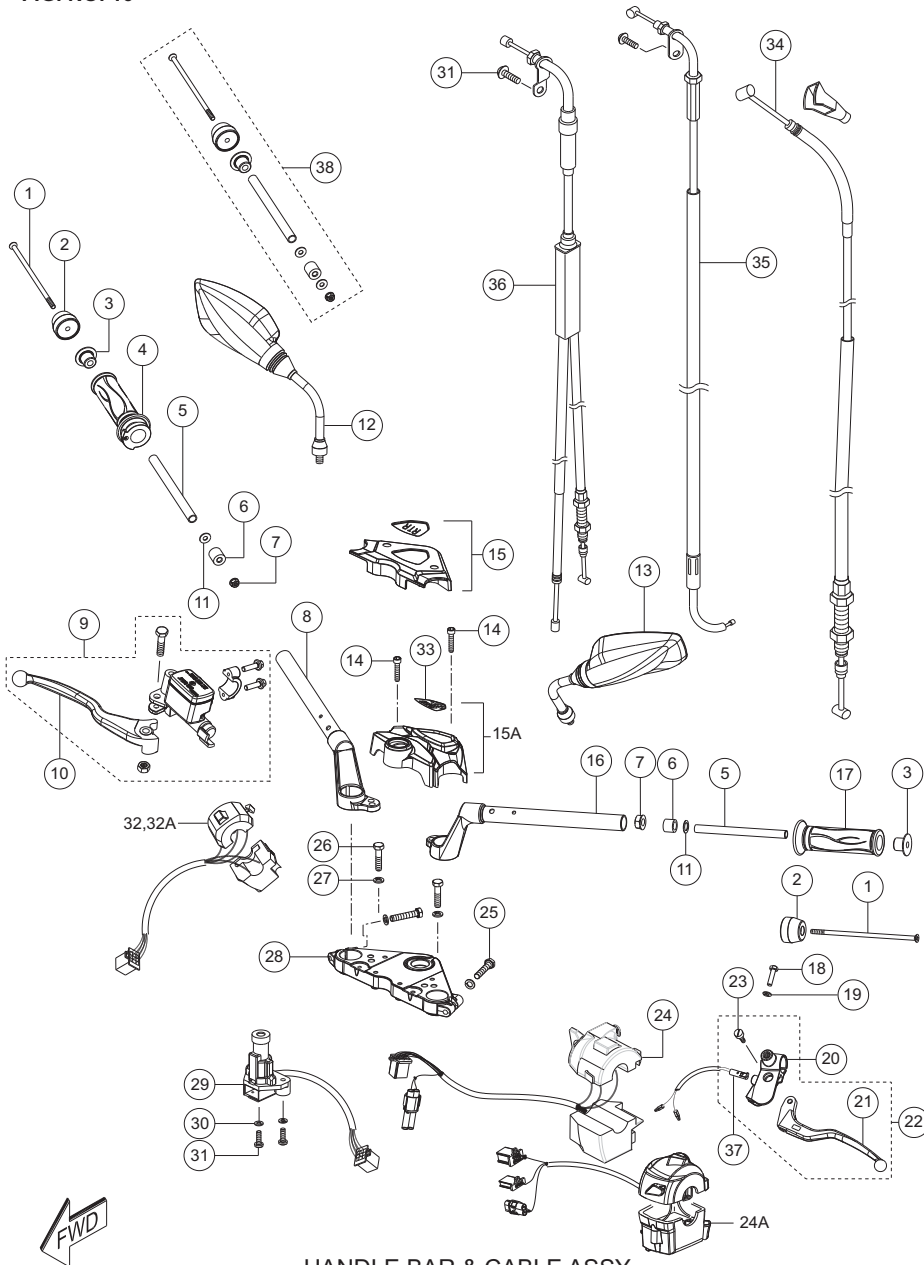
SEAT ASSEMBLY

FIG. NO. 15

SEAT ASSEMBLY

REF. NO.	PART NO.	DESCRIPTION	NO. OFF		REMARKS
			APACHE		
			RTR 180	RTR 180 REF.	
1	N9130060	SEAT ASSEMBLY	1	-	
1A	N9130150	SEAT ASSEMBLY	-	1	
2	N9130090	COVER COMP SEAT	1	-	
2A	N9130180	COVER COMP SEAT	-	1	
3	N9130080	SEAT FOAM	1	-	
3A	N9130170	SEAT FOAM	-	1	
4	N9130070	SEAT BASE	1	-	
4A	N9130160	SEAT BASE	-	1	
5	M1130240	CUSHION SEAT	4	-	
6	N8130130	CUSHION, SEAT	4	-	
7	K210800	O RING FIRST AID	1	-	
8	K3122249	HEX BOLT M5x65	2	2	
9	N9123220	LATCH ASSY. SEAT	1	1	
10	N9170090	CABLE COMP. SEAT	1	1	
11	N9130120	CUSHION SEAT	-	4	
12	N8130240	CUSHION SEAT	-	4	

FIG. NO. 16



HANDLE BAR & CABLE ASSY.

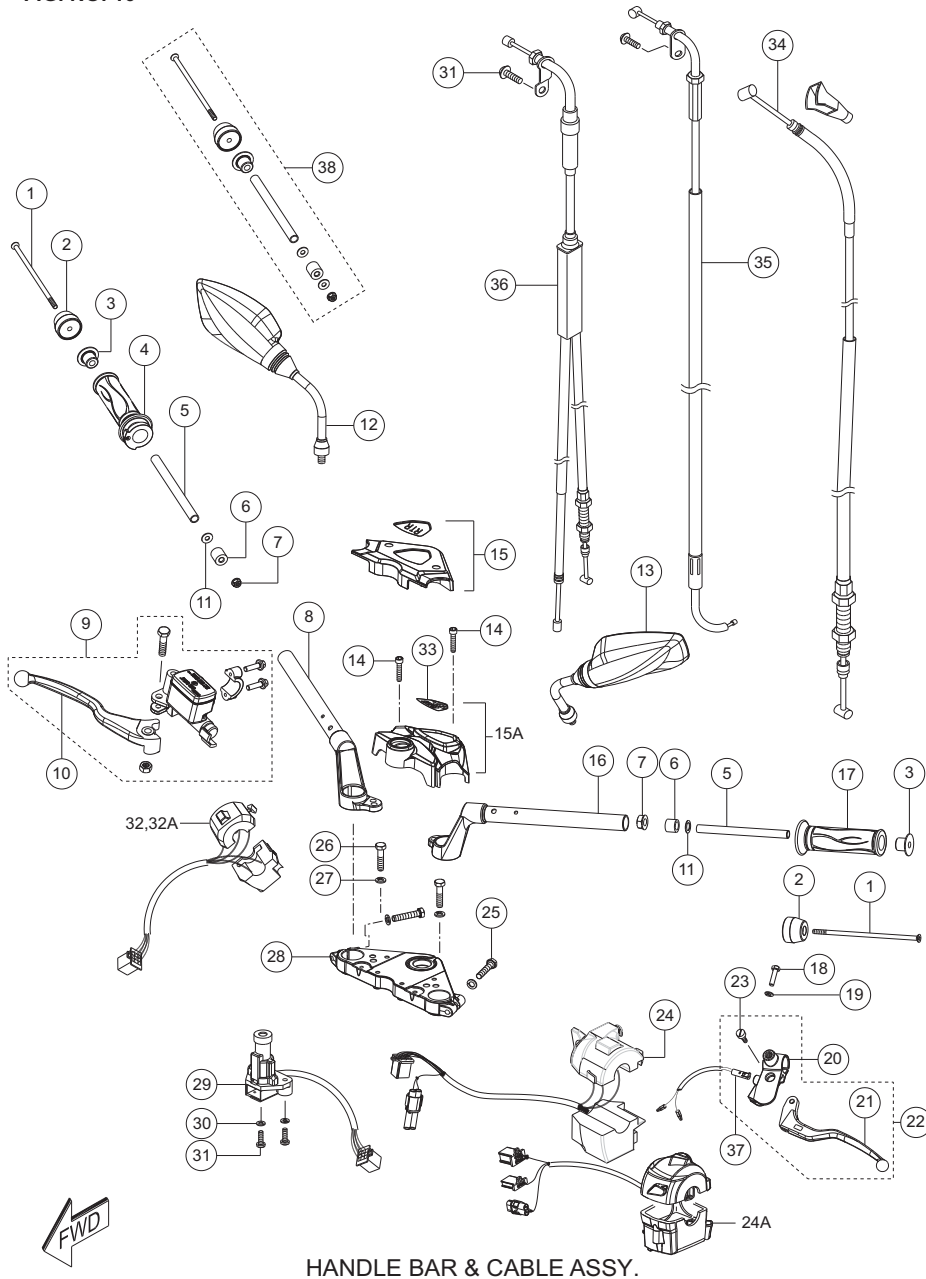
FIG. NO. 16

HANDLE BAR & CABLE ASSY.

REF. NO.	PART NO.	DESCRIPTION	NO. OFF		REMARKS
			APACHE		
			RTR 180	RTR 180 REF.	
1	N9200350	SCREW	2	2	
2	N9150770	DAMPER WEIGHT HANDLE BAR	2	2	
3	N9151200	SPACER HANDLE BAR	2	2	
4	N9221170	GRIP COMP. THROTTLE	1	1	
5	N9151190	TUBE HANDLE BAR	2	2	
6	N9151210	BUSH HANDLE BAR	2	2	
7	M1200900	HEX FLANGE NUT M6x1	2	2	
8	N9151390	HANDLE BAR COMP. RH	1	1	
9	N91111403C	CYLINDER ASSY. FRONT MASTER	1	1	
10	N9322020	KIT LEVER RH	1	1	**
11	0335608	WASHER 6.5x16x1.2	2	2	
12	N9221460	MIRROR ASSY. RH	1	1	
13	N9221450	MIRROR ASSY. LH	1	1	
14	N9200150	HEX SOC. HEAD CAP SCREW M6x30	2	2	
15	N9151380	COVER HANDLE BAR COMP.	1	-	
15A	N9151660	COVER HANDLE BAR COMP.	-	1	
16	N9151400	HANDLE BAR COMP. LH	1	1	
17	N9221070	GRIP COMP. LH	1	1	
18	7200120	HEX SCREW M6x25	1	1	
19	----	SPRING WASHER	1	1	
20	N9150450	BRKT LEVER LH	1	1	

** - REF. KIT & KIT CONTENTS

FIG. NO. 16



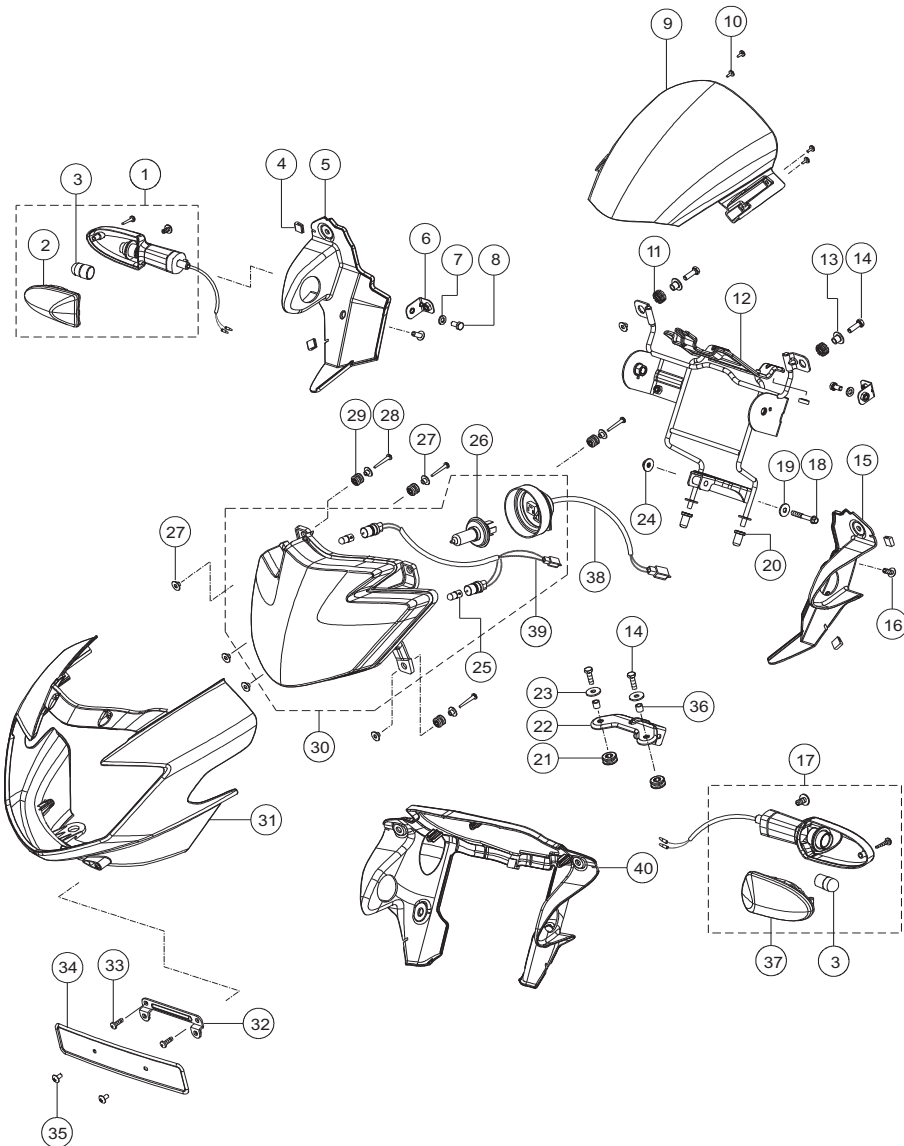
HANDLE BAR & CABLE ASSY.

FIG. NO. 16

HANDLE BAR & CABLE ASSY.

REF. NO.	PART NO.	DESCRIPTION	NO. OFF		REMARKS
			APACHE		
			RTR 180	RTR 180 REF.	
21	N91505203C	LEVER CLUTCH	1	1	
22	N91504403C	LEVER ASSY. CLUTCH	1	1	
23	N3150280	STUD LEVER HANDLE	1	1	
24	N9161200	SWITCH ASSY. HANDLE LH	1	-	
24A	N9161930	SWITCH ASSY. HANDLE LH	-	1	
25	M7200060	HEX SOC HD CAP SCREW M8x50	2	2	
26	M7110280	HEX FLANGE BOLT M8x30	2	2	
26	M7110280	HEX FLANGE BOLT M8x30	2	2	
27	0330408	WAVE SPRING WASHER M6	2	2	
28	N9101000	UPPER BRACKET	1	1	
29	N9160480	STEERING / IGNITION LOCK	1	1	
30	420518000	CRR PAN HEAD SCREW M6x20	2	2	
31	0330408	WAVE SPRING WASHER M6	2	2	
32	N9161150	SWITCH ASSY. HANDLE RH	1	-	
32A	N9161940	SWITCH ASSY. HANDLE RH	-	1	
33	N9214830	EMBLEM COVER HANDLE BAR	1	1	
34	N9170250	CLUTCH CABLE ASSY.	1	1	
35	N9170240	CHOKE CABLE ASSY.	1	1	
36	N9170230	THROTTLE CABLE ASSY.	1	1	
37	N9160910	CLUTCH SWITCH ASSY.	1	1	
38	N9151220	DAMPER ASSY. HANDLE BAR	2	2	

FIG. NO. 17



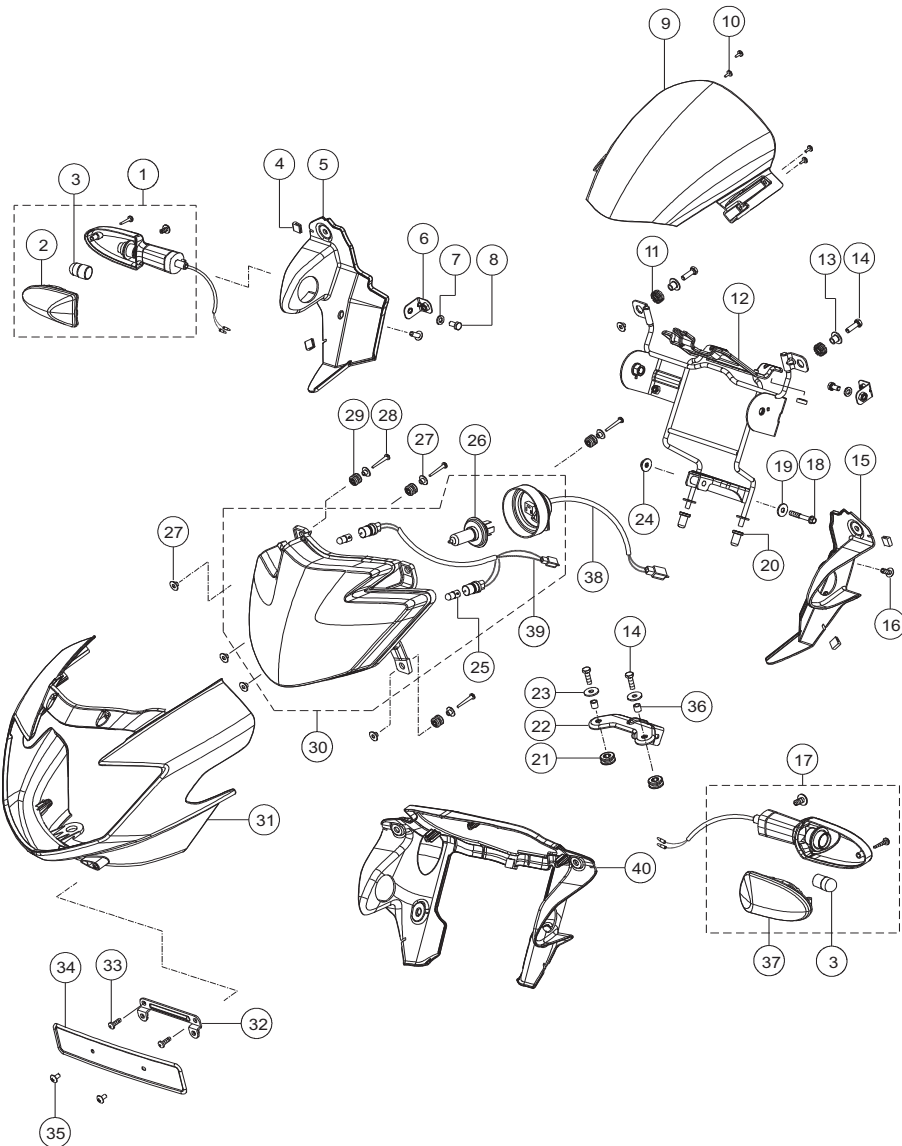
HEAD LAMP ASSY. & TSL LH, RH

FIG. NO. 17

HEAD LAMP ASSY. & TSL LH,RH

REF. NO.	PART NO.	DESCRIPTION	NO. OFF		REMARKS
			APACHE		
			RTR 180	RTR 180 REF.	
1	N9161370	TURN SIGNAL LAMP ASSY FRONT RH	1	-	
2	N9321830	LENS AND REFLECTOR COMP. FR/RL	1	-	
3	K3160450	AMBER BULB	2	-	
4	N3120600	GROMMET COVER	4	-	
5	N9220460	HOUSING HEADLAMP REAR RH	1	-	
6	M7121680	BRKT, COMP. HSG HEAD LAMP	1	-	
7	420001700	PUNCHED WASHER A6.6	1	-	
8	420452700	HEX SCREW M6 x 12	2	-	
9	N9220240	VISOR HOUSING HEAD LAMP	1	-	
10	K5200010	CRR PAN HD TAP SCR ST4.2x9.5	6	-	
11	N8220180	GROMMET TAIL COVER	2	-	
12	N9220360	BRKT COMP HEADLAMP HSG	1	-	
13	N8122610	SPACER HEAD LAMP	2	-	
14	M1200610	HEX SCREW M6X 20	4	-	
15	N9220320	HOUSING HEADLAMP REAR LH	1	-	
16	0332275	CRR PAN HD SCREW M6x16	2	-	
17	N9161360	TURN SIGNAL LAMP ASSY FR. LH	1	-	
18	M1200500	HEX FLANGE BOLT M6 X 40	1	-	
19	P1200100	PUNCHED WASHER 6.4 X 18 X 1.5	2	-	
20	N8220500	PLUG, BRKT HSG HEADLAMP	2	-	

FIG. NO. 17



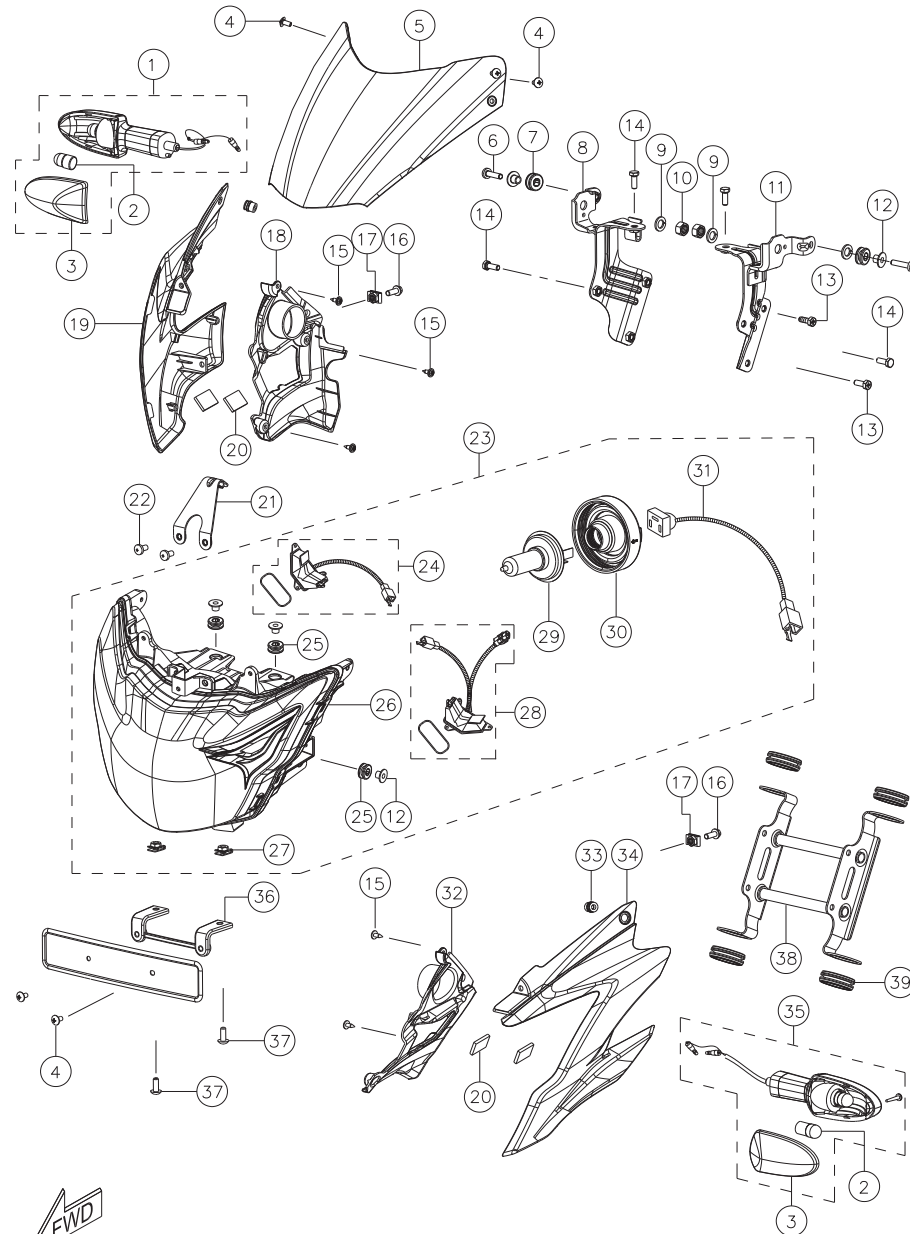
HEAD LAMP ASSY. & TSL LH, RH

FIG. NO. 17

HEAD LAMP ASSY. & TSL LH,RH

REF. NO.	PART NO.	DESCRIPTION	NO. OFF		REMARKS
			APACHE		
			RTR 180	RTR 180 REF.	
21	N3120130	GROMMET, HEAD LAMP	2	-	
22	N9220370	BRKT COMP. HSG HL LOWER	1	-	
23	0335618	PUNCHED WASHER	2	-	
24	P1200060	HEXAGONAL NUT M6	1	-	
25	K3160520	BULB CITY LAMP	2	-	
26	M7160190	BULB HEAD LAMP	1	-	
27	S1160200	SPACER HEAD LAMP	4	-	
28	K3200900	CRR PAN HEAD TAP SCR ST 4.2x30	4	-	
29	S1160190	CUSHION HEAD LAMP	4	-	
30	N9160390	HEADLAMP ASSY.	1	-	
31	----	HOUSING HEAD LAMP FRONT	1	-	REF. COLOR PAGES
32	N8220510	BRKT LICENSE PLATE	1	-	
33	0331718	CRR PAN HEAD SCREW M5x16	2	-	
34	N3211120	LICENSE PLATE FRONT	1	-	
35	8200120	CRR FLANGED PAN HD SCREW M5x12	2	-	
36	N3120140	BUSH, TAIL COVER	2	-	
37	N9321820	LENS AND REFLECTOR COMP. FR/RR	1	-	
38	N9160890	CORD SET HEADLAMP	1	-	
39	N9160880	CORD SET POSITION LAMP	1	-	
40	N9221490	HOUSING HEAD LAMP REAR	1	-	

FIG. NO. 17A

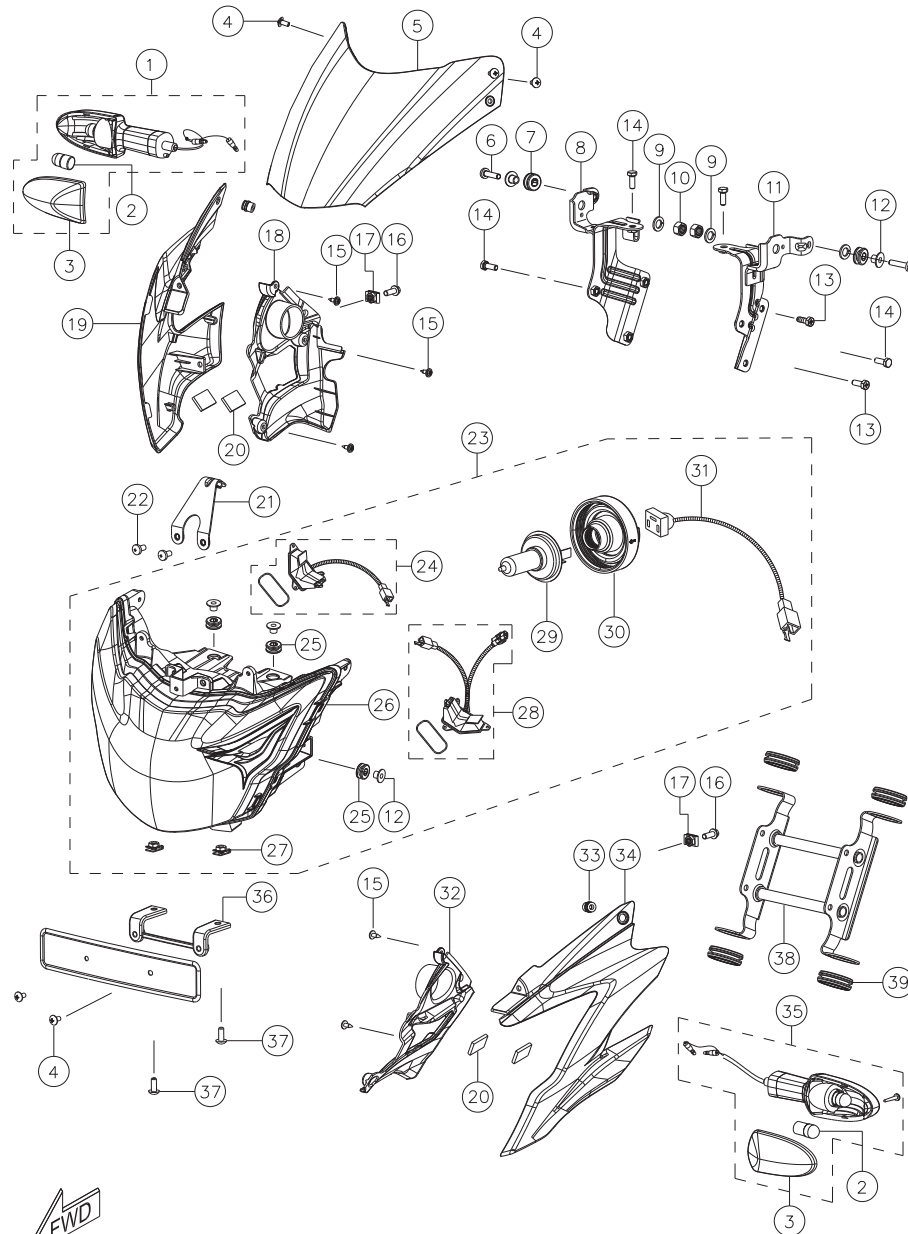


HEAD LAMP ASSY. WITH LED & TSL LH,RH (REFRESH)

FIG. NO. 17A
HEAD LAMP ASSY. WITH LED & TSL LH,RH (REF.)

REF. NO.	PART NO.	DESCRIPTION	NO. OFF		REMARKS
			APACHE		
			RTR 180	RTR 180 REF.	
1	N9161370	TURN SIGNAL LAMP FRONT RH	-	1	
2	N9321830	LENS AND REFLECTOR COMP. FR/RL	-	2	
3	K3160450	AMBER BULB	-	2	
4	N8200080	CRR PAN HEAD SCREW M5x10	-	4	
5	N9224840	VISOR HOUSING HEAD LAMP ASSY.	-	1	
6	M1200820	CRR PAN HEAD SCREW M6 x 25	-	2	
7	N3120130	GROMMET, HEAD LAMP	-	2	
8	N9223480	BRKT HEADLAMP COMP. LH	-	1	
9	0330328	WAVE SPRING WASHER M10	-	2	
10	0334038	HEX NUT M10	-	2	
11	N9223490	BRKT HEADLAMP COMP. RH	-	1	
12	N8122610	CUP WASHER	-	6	
13	N5200340	HEX SCREW M6x16	-	4	
14	420462700	HEX SCREW M6x20	-	4	
15	N3200340	CRR FL. PAN HD TAP SCREW 4.2x13	-	6	
16	N3200220	HEX FL. BOLT M6x1.25x16	-	2	
17	S1200700	RETAINER CLIP COMP. PANEL	-	2	
18	N9223360	HOUSING HEADLAMP FR INNER LH	-	1	
19	----	HOUSING HEADLAMPFRONT LH	-	1	REF. COLOR PAGES
20	N9200460	RECLOSABLE FASTENRS	-	4	

FIG. NO. 17A



HEAD LAMP ASSY. WITH LED & TSL LH,RH (REFRESH)

FIG. NO. 17A
HEAD LAMP ASSY. WITH LED & TSL LH,RH (REF.)

REF. NO.	PART NO.	DESCRIPTION	NO. OFF		REMARKS
			APACHE		
			RTR 180	RTR 180 REF.	
21	N9223290	BRKT HEADLAMP COMP.	-	1	
22	P200270	CRPH SCREW M6x12	-	2	
23	N9222820	HEADLAMP ASSY.	-	1	
24	N9223540	COVER ASSY. RH 0.5W , 0.1W LED	-	1	
25	N5120820	GROMMET HEADLAMP	-	4	
26	N9324460	HEADLAMP (WITHOUT BULB)	-	1	
27	----	RETAINER CLIP	-	2	
28	N9223530	COVER ASSY. RH 0.5W , 0.1W LED	-	1	
29	M7160190	BULB HEAD LAMP	-	1	
30	N9324450	DUST CAP	-	1	
31	N9162100	CARD SET HEADLAMP	-	1	
32	N9223350	HOUSING HEADLAMP FR. INNER LH	-	1	
33	N3120990	GROMMET COMP. VISOR MTG	-	2	
34	----	HOUSING HEDLAMP FRONT LH	-	1	REF. COLOR PAGES
35	N9161360	TURN SIGNAL LAMP FRONT LH	-	1	
36	N9223370	BRKT LICENCE PLATE	-	1	
37	0332275	CRR PAN HD SCREW M6x16	-	2	
38	N9222980	BRKT HOUSING HEAD LAMP BRKT	-	1	
39	7100380	PACKING	-	4	

FIG. NO. 18

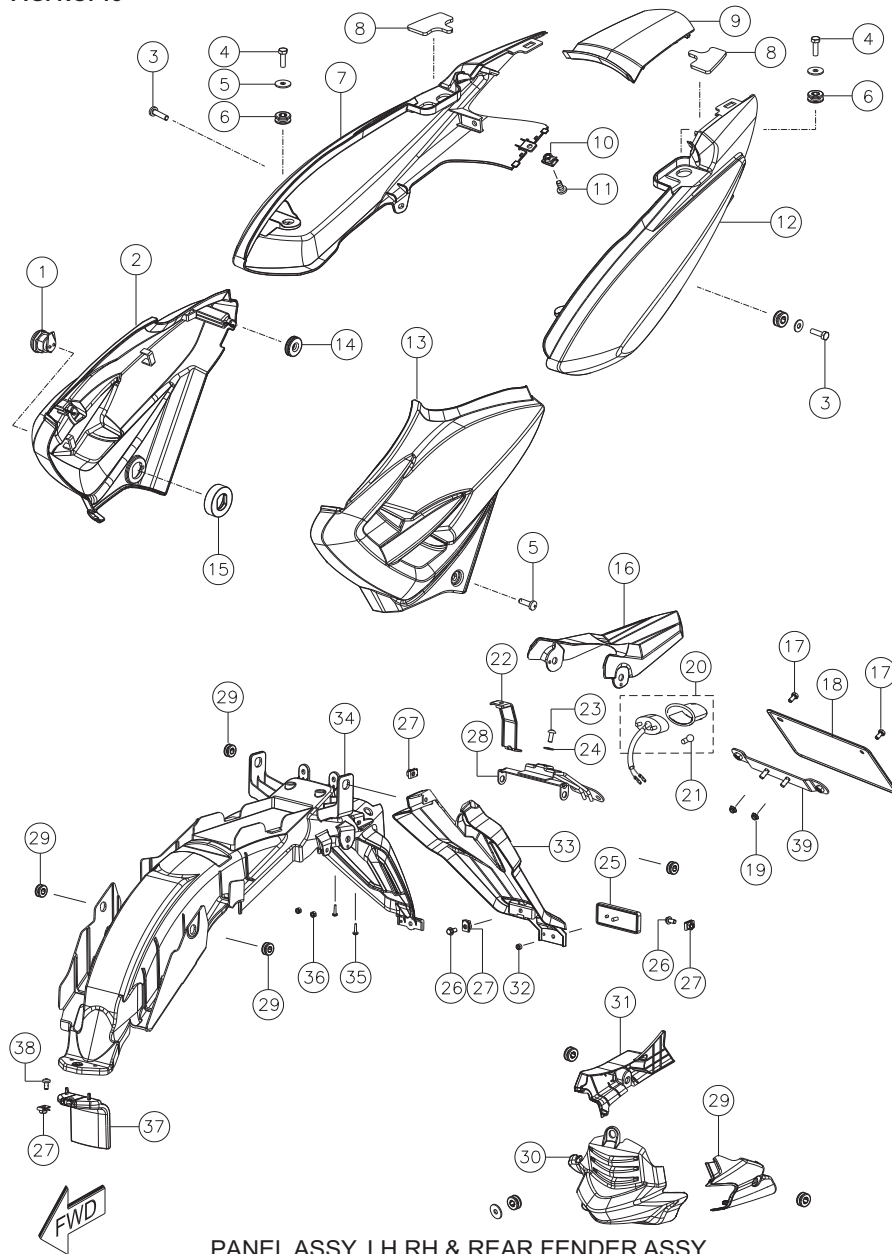


FIG. NO. 18

PANEL LH,RH & REAR FENDER ASSY.

REF. NO.	PART NO.	DESCRIPTION	NO. OFF		REMARKS
			APACHE		
			RTR 180	RTR 180 REF.	
1	N9212050	LOCK ASSY. COVER FRAME	1	-	
2	----	COVER FRAME RH	1	-	REF. COLOR PAGE
3	M1200820	CRR PAN HEAD SCREW M6 X 25	2	-	
4	420462700	HEX SCREW	4	-	
5	0335618	PUNCHED WASHER 6.5x16x1.2	4	-	
6	N3120130	GROMMET	2	-	
7	----	COVER SEAT TAIL RH	1	-	REF. COLOR PAGE
8	N9220560	CUSHION PILLION HANDLE	2	-	
9	----	TAIL COVER CENTER	1	-	REF. COLOR PAGE
10	K3200840	RETAINER CLIP COMP. PANEL	4	-	
11	M1201050	CRR PAN HEAD SCREW	2	-	
12	----	COVER SEAT TAIL LH	1	-	REF. COLOR PAGE
13	----	COVER FRAME LH	1	-	REF. COLOR PAGE
14	N3130100	CUSHION COVER FRAME	2	-	
15	N9220530	CUSHION LOCK COVER FRAME	1	-	
16	N9222020	COVER ILLUMINATOR	1	-	
17	C8200040	HEX SCREW M6x12	1	-	
18	N8121710	LICENSE NUMBER PLATE	1	-	
19	0334146	HEX NUT M6	1	-	
20	N9220490	NUMBER PLATE ILLUMINATOR COMP.	1	-	

FIG. NO. 18

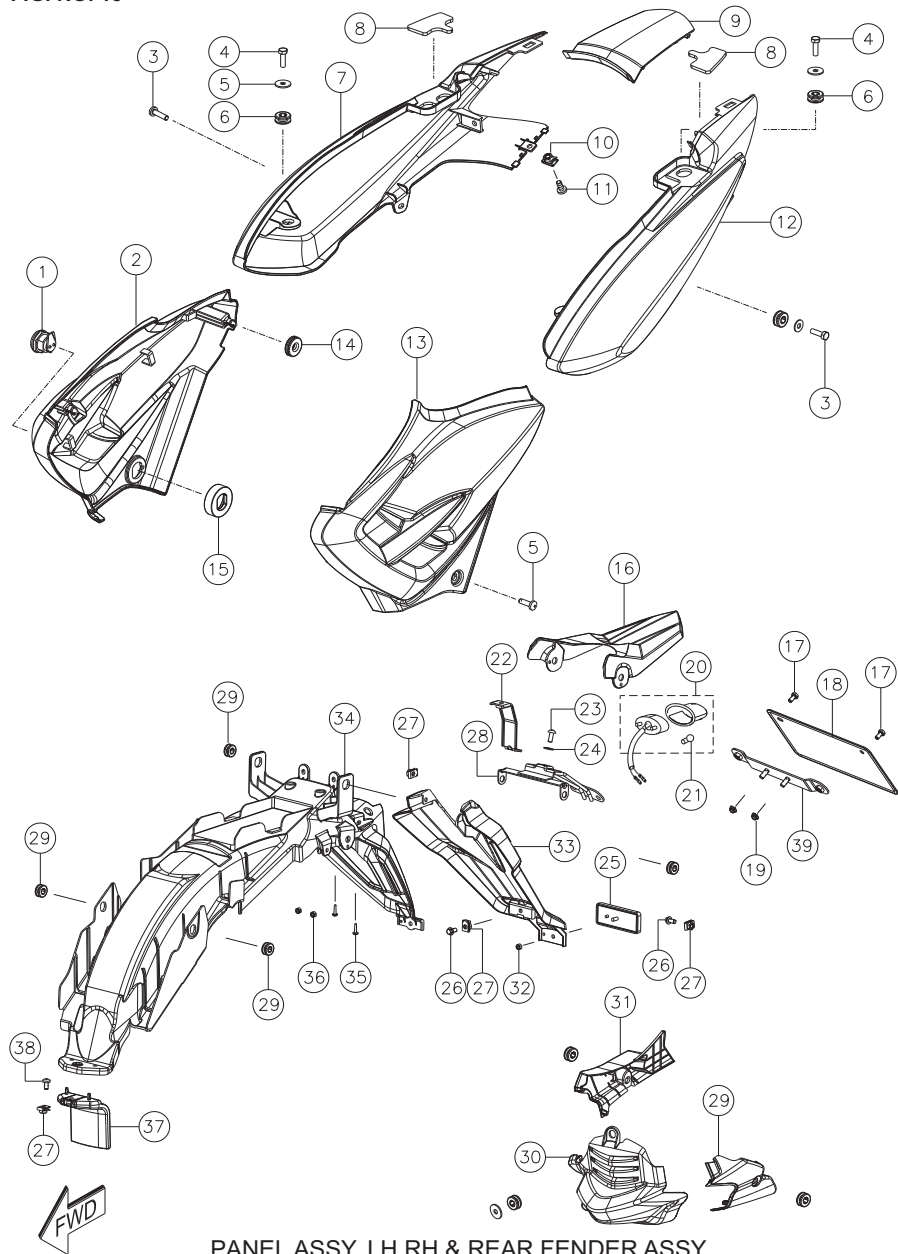
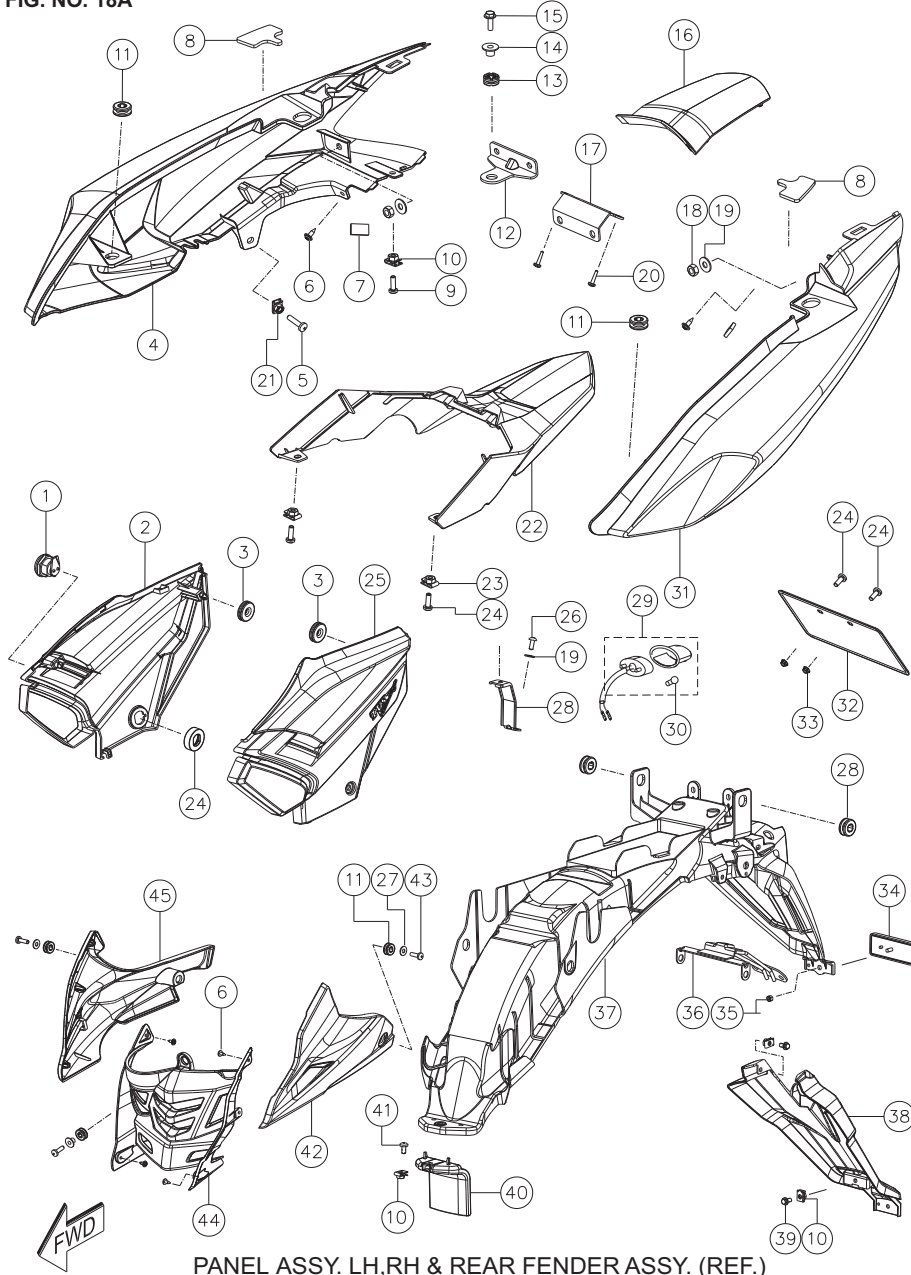


FIG. NO. 18

PANEL LH,RH & REAR FENDER ASSY.

REF. NO.	PART NO.	DESCRIPTION	NO. OFF		REMARKS
			APACHE		
			RTR 180	RTR 180 REF.	
21	5227360	BULB 12V 3.4W	1	-	
22	N9222080	BRKT FENDER TOP	1	-	
23	0335605	CRR PAN HEAD SCREW M6x16	1	-	
24	0332275	PUNCHED WASHER 6.5x16x1.2	1	-	
25	M7160120	REFLEX REFLECTOR ASSY.	1	-	
26	C8200040	HEX FLANGE BOLT M6x1.0x12	4	-	
27	K3200840	RETAINER CLIP COMP. PANEL	4	-	
28	N9222040	BRKT COMP. FENDER REAR	1	-	
29	----	ENGINE GUARD LH	1	-	REF. COLOR PAGE
30	----	ENGINE GUARD CENTER	1	-	REF. COLOR PAGE
31	----	ENGINE GUARD RH	1	-	REF. COLOR PAGE
32	0334560	HEX NUT M5	1	-	
33	N9222010	FLAP REAR FENDER	1	-	
34	N9222000	FENDER REAR	1	-	
35	K200320	CRR PAN TAP HEAD SCREW 4.2x16	2	-	
36	420302700	HEX NUT M5	2	-	
37	N9220480	BODY FRONT FENDER REAR	1	-	
38	P3200010	CRR PAN HEAD SCREW M6x12	1	-	
39	N8220300	BRKT COMP. LICENSE PLATE REAR	1	-	

FIG. NO. 18A



PANEL ASSY. LH,RH & REAR FENDER ASSY. (REF.)

FIG. NO. 18A

PANEL LH,RH & REAR FENDER ASSY. (REF.)

REF. NO.	PART NO.	DESCRIPTION	NO. OFF		REMARKS
			APACHE		
			RTR 180	RTR 180 REF.	
1	N9212050	LOCK ASSY. COVER FRAME	-	1	
2	----	COVER FRAME RH	-	1	REF. COLOR PAGE
3	N9220530	CUSHION LOCK COVER FRAME	-	2	
4	----	TAIL COVER RH	-	1	REF. COLOR PAGE
5	M1200820	CRR PAN HEAD SCREW M6 x 25	-	2	
6	N3200340	CRR FL. PAN HEAD TAP. SCREW	-	6	
7	R1220770	CUSHION HEAD LAMP	-	2	
8	N9220560	CUSHION PILLION HANDLE	-	2	
9	M1201050	CRR PAN HEAD SCREW	-	1	
10	K3200840	RETAINER CLIP NUT M6	-	5	
11	N3120130	GROMMET HEAD LAMP	-	5	
12	N9220960	BRKT TAIL LAMP FRONT	-	1	
13	N8220180	GROMMET TAIL COVER	-	1	
14	N8122610	CUP WASHER	-	1	
15	N2200500	HEX FLANGE BOLT M6x1.25	-	1	
16	----	TAIL COVER CENTER	-	1	REF. COLOR PAGE
17	N9220400	BRKT TAIL LAMP REAR	-	1	
18	420305700	HEX NUT M6	-	2	
19	0335608	PUNCHED WASHER 6.5x16x1.2	-	3	
20	K200320	CRR PAN HD TAP SCREW 4.2x16	-	2	
21	S1200700	RETAINER CLIP COMP PANEL	-	2	
22	N9222300	COVER ILLUMINATOR	-	1	
23	K3200830	RETAINER CLIP NUT M5	-	2	

FIG. NO. 18A

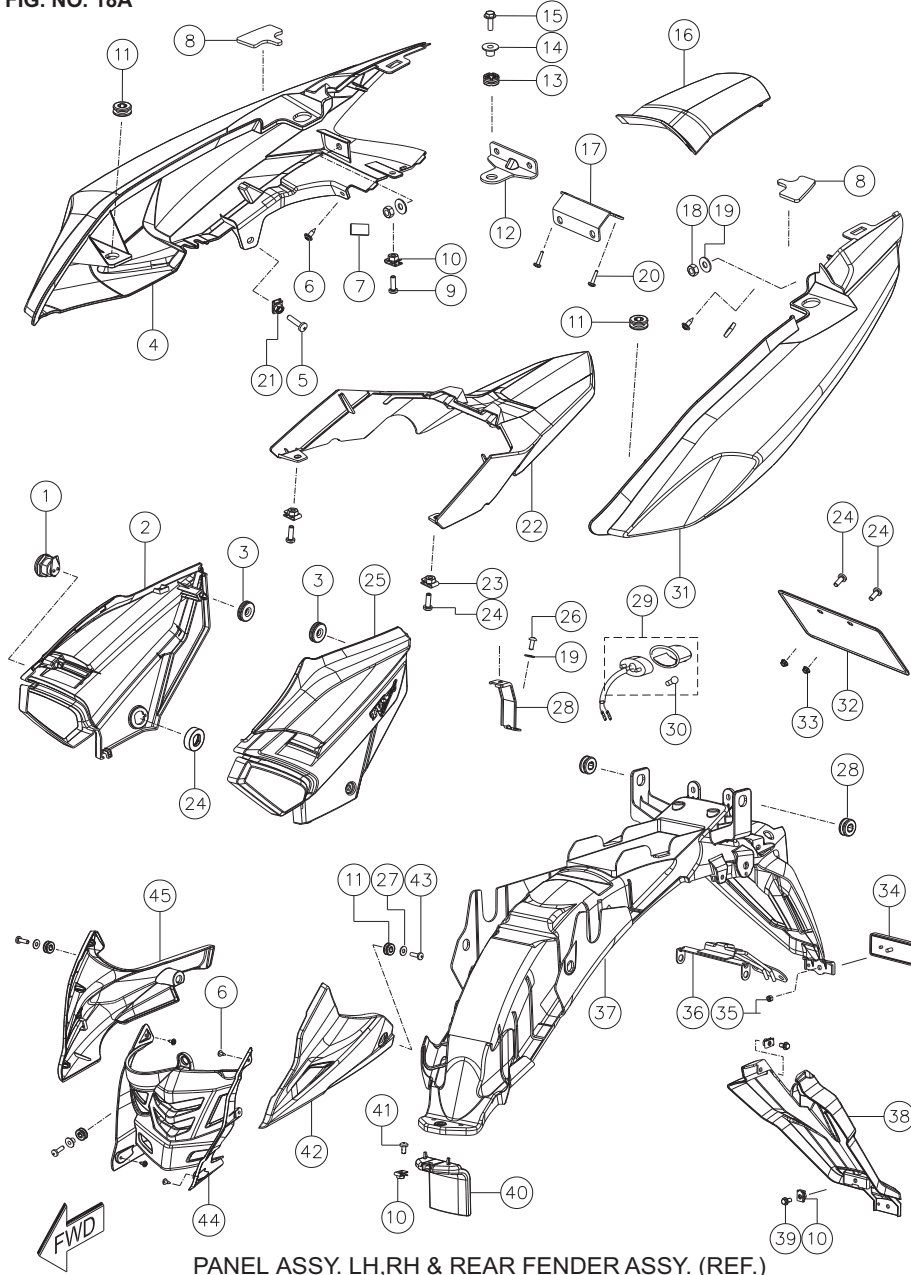
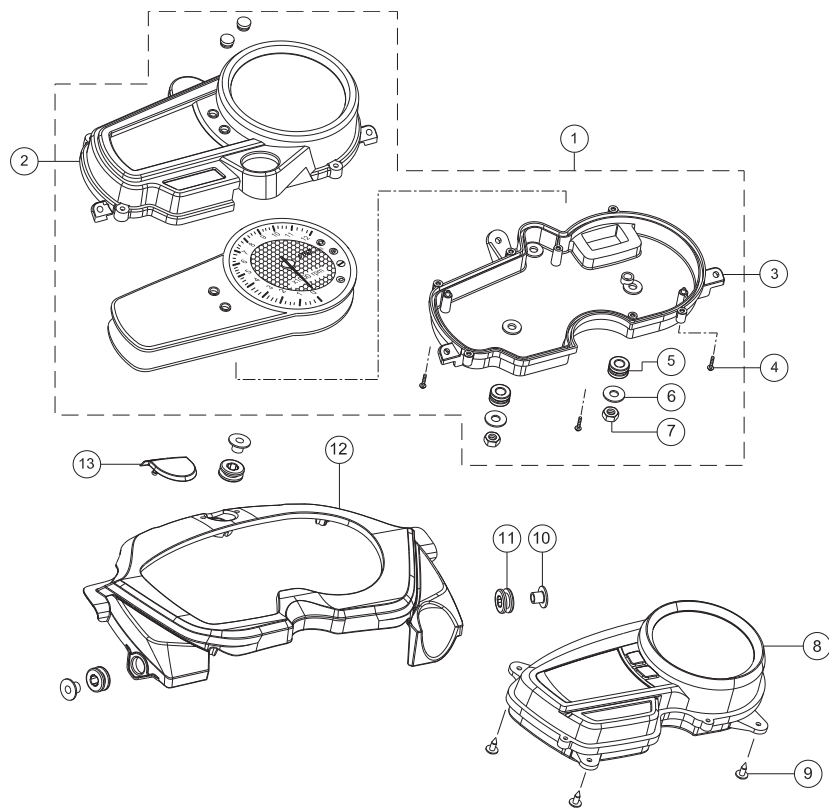


FIG. NO. 18A

PANEL LH,RH & REAR FENDER ASSY. (REF.)

REF. NO.	PART NO.	DESCRIPTION	NO. OFF		REMARKS
			APACHE		
			RTR 180	RTR 180 REF.	
24	M1200660	CRR PAN HEAD SCREW M5x16	-	2	
25	----	COVER FRAME LH	-	1	REF. COLOR PAGE
26	0335605	SCREW CRPH M6.5x16x1.2	-	3	
27	0335608	PUNCHED WASHER 6.5x16	-	1	
28	N9222080	BRKT FENDER TOP	-	1	
29	N9220490	NUMBER PLATE ILLUMINATOR COMP.	-	1	
30	5227360	BULB 12V 3.4W	-	1	
31	----	TAIL COVER LH	-	1	REF. COLOR PAGE
32	D127420	LICENCE PLATE REAR	-	1	
33	0334146	NUT LICENCE PLATE BRKT	-	2	
34	M7160120	REFLEX REFLECTOR ASSY.	-	1	
35	420305700	HEX NUT M5	-	1	
36	N9222040	BRKT COMP FENDER REAR	-	1	
37	N9223890	FENDER REAR	-	1	
38	N9222010	FLAP REAR FENDER	-	1	
39	C8200040	HEX FLANGE BOLT M6x12	-	3	
40	N9220480	BODY FRONT FENDER REAR	-	1	
41	P3200010	CRR PAN HD SCREW M6x12	-	1	
42	----	ENGINE GUARD LH	-	1	REF. COLOR PAGE
43	M1200670	CRPH SCREW M6x20	-	3	
44	N9222779	ENGINE GUARD CENTER	-	1	
45	----	ENGINE GUARD RH	-	1	REF. COLOR PAGE

FIG. NO. 19



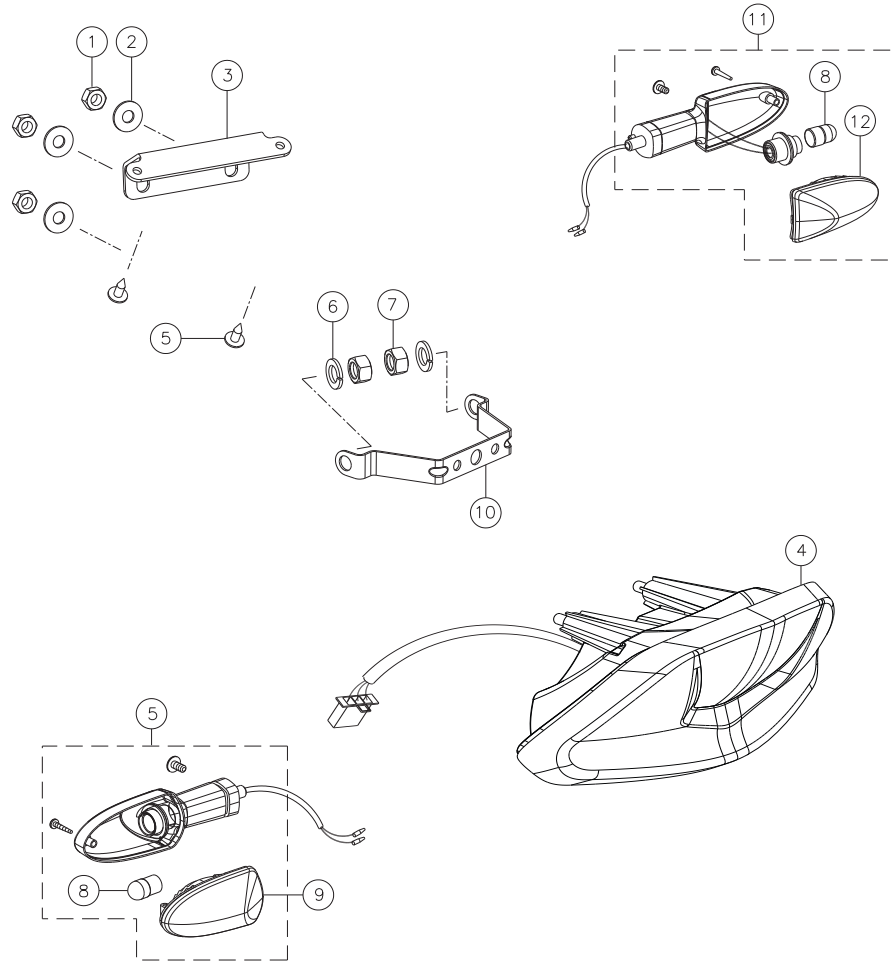
SPEEDOMETER ASSEMBLY

FIG. NO. 19

SPEEDOMETER ASSEMBLY

REF. NO.	PART NO.	DESCRIPTION	NO. OFF		REMARKS
			APACHE		
			RTR 180	RTR 180 REF.	
1	N9222060	SPEEDOMETER ASSY. DIGITAL	1	-	
2	N9322040	COVER TOP SPEEDOMETER	1	-	
3	----	COVER BOTTOM SPEEDOMETER	1	-	
4	----	SPEEDO SCREW SET	1	-	
5	N9220760	GROMMET SPEEDOMETER	3	-	
6	0335608	WASHER	3	-	
7	420305700	HEX NUT M6	3	-	
8	N9222990	SPEEDOMETER ASSY.	-	1	
9	N3200340	CRR FL. PAN HEAD TAP. SCREW	-	3	
10	N8122610	CUP WASHER	-	3	
11	N3120130	GROMMET HEADLAMP	-	3	
12	N9222970	HOUSING HEADLAMP REAR	-	1	
13	N9223960	COVER HOUSING HEADLAMP REAR	-	1	

FIG. NO. 20



REAR LAMP ASSEMBLY

FIG. NO. 20

REAR LAMP ASSEMBLY

REF. NO.	PART NO.	DESCRIPTION	NO. OFF		REMARKS
			APACHE		
			RTR 180	RTR 180 REF.	
1	P1200060	HEX NUT M6	4	4	
2	0335608	PUNCHED WASHER 6.5x16x1.2	4	4	
3	N9220400	BRACKET TAIL LAMP	1	1	
4	N9161080	TAIL LAMP ASSY. (LED)	1	1	
5	N9161380	TURN SIGNAL LAMP ASSY. REAR LH	1	1	
6	0330328	WAVE SPRING WASHER M10	2	2	
7	0334038	HEX NUT M10	2	2	
8	K3160450	AMBER BULB	2	2	
9	N9321830	LENS AND REFLECTOR COMP. RL/FR	1	1	
10	N9221290	BRKT FENDER REAR	1	1	
11	N9161390	TURN SIGNAL LAMP ASSY, RR RH	1	1	
12	N9321820	LENS AND REFLECTOR COMP. RR/FL	1	1	

FIG. NO. 21

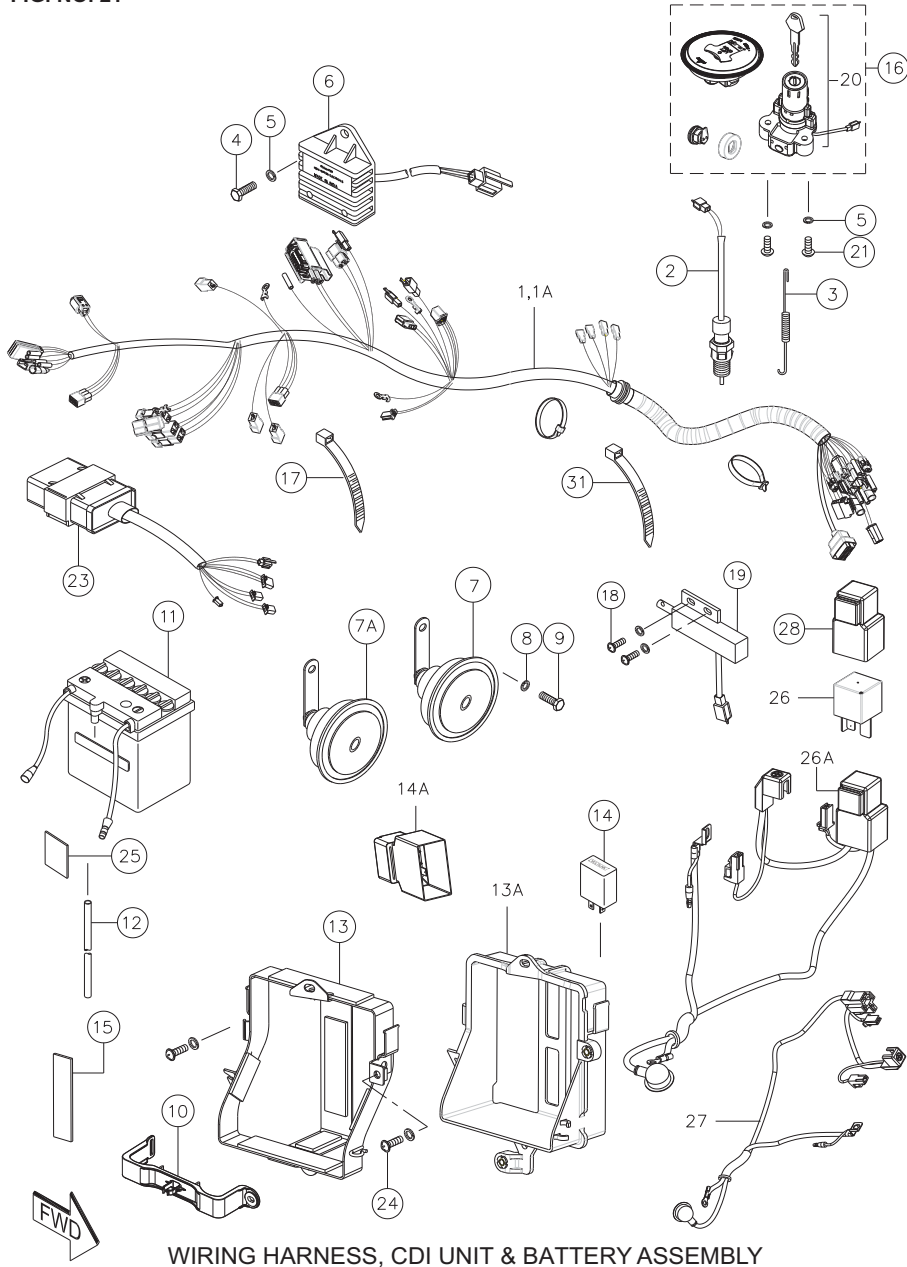


FIG. NO. 21

WIRING HARNESS, TCI UNIT & BATTERY ASSY.

REF. NO.	PART NO.	DESCRIPTION	NO. OFF		REMARKS
			APACHE		
			RTR 180	RTR 180 REF.	
1	N9324120	WIRING HARNESS	1	-	
1A	N9161190	WIRING HARNESS	-	1	
2	N9160900	SWITCH ASSY. STOP LAMP REAR	1	1	
3	N8111110	SPRING STOP LAMP SWITCH	1	1	
4	420452700	HEX SCREW M6x12	1	1	
5	0330408	SPRING WASHER M6	3	3	
6	R1060070	FULL WAVE REGULATOR DC	1	1	
7	N9160840	HORN RH	1	1	
7A	N9160850	HORN LH	1	1	
8	0330318	WAVE SPRING WASHER M8	1	1	
9	420454700	HEX SCREW M8x16	1	1	
10	N9122690	CLAMP BATTERY	1	1	
11	M7060190	BATTERY ASSY. UNCHARGED (9 AMPS)	1	1	
12	N3060110	BATTERY BREATHER HOSE	1	1	
13	N9125210	HOLDER COMP. BATTERY	1	-	
13A	N9125310	HOLDER COMP. BATTERY	-	1	
14	N9160380	ELECTRONIC FLASHER UNIT	1	1	
14A	N9161260	RELAY PASS BY ASSY.	1	1	
15	N9160680	CUSHION SET - BATTERY	1	1	
16	N9212210	LOCK SET	1	1	
17	N3160340	CLAMP WIRING HARNESS	2	2	

FIG. NO. 21

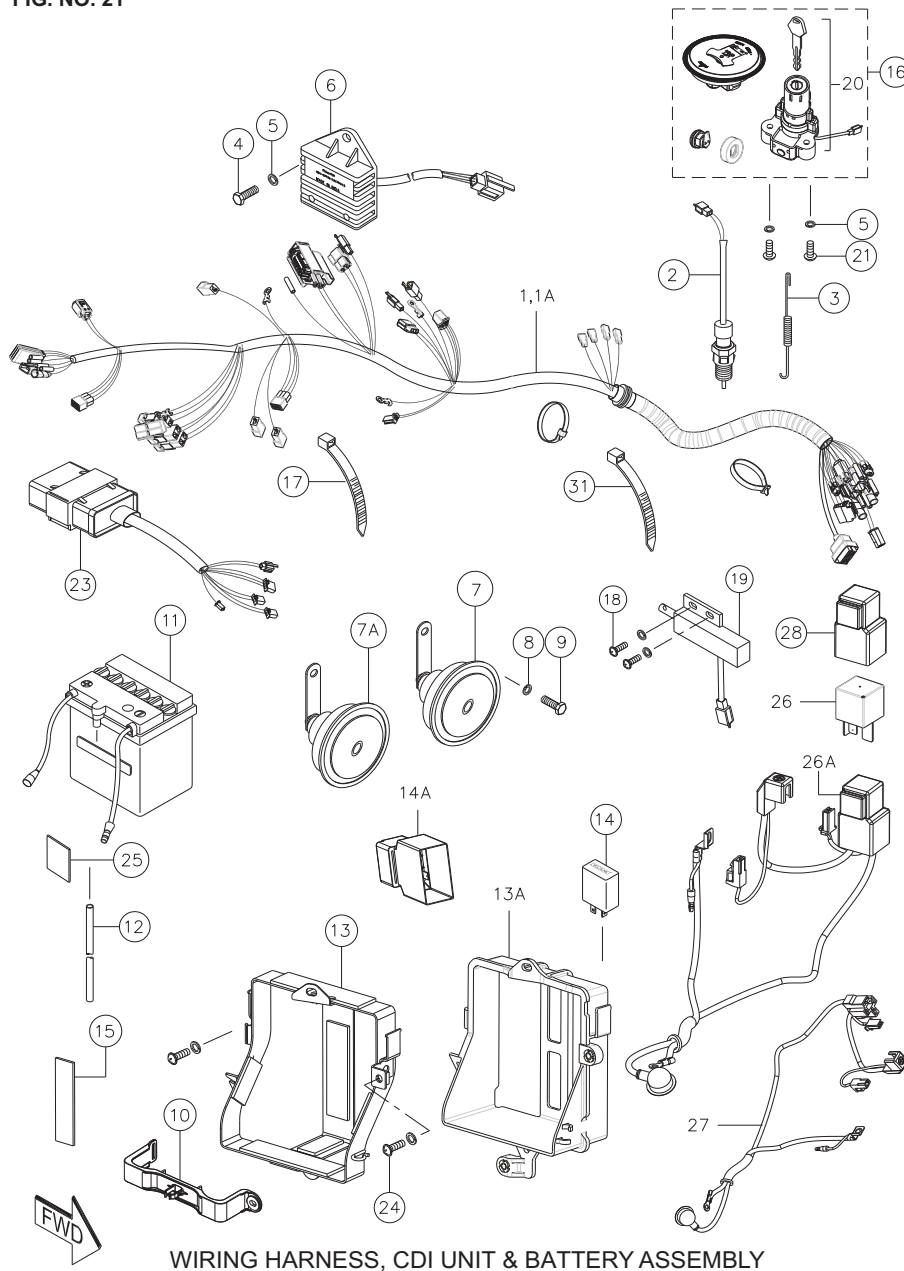


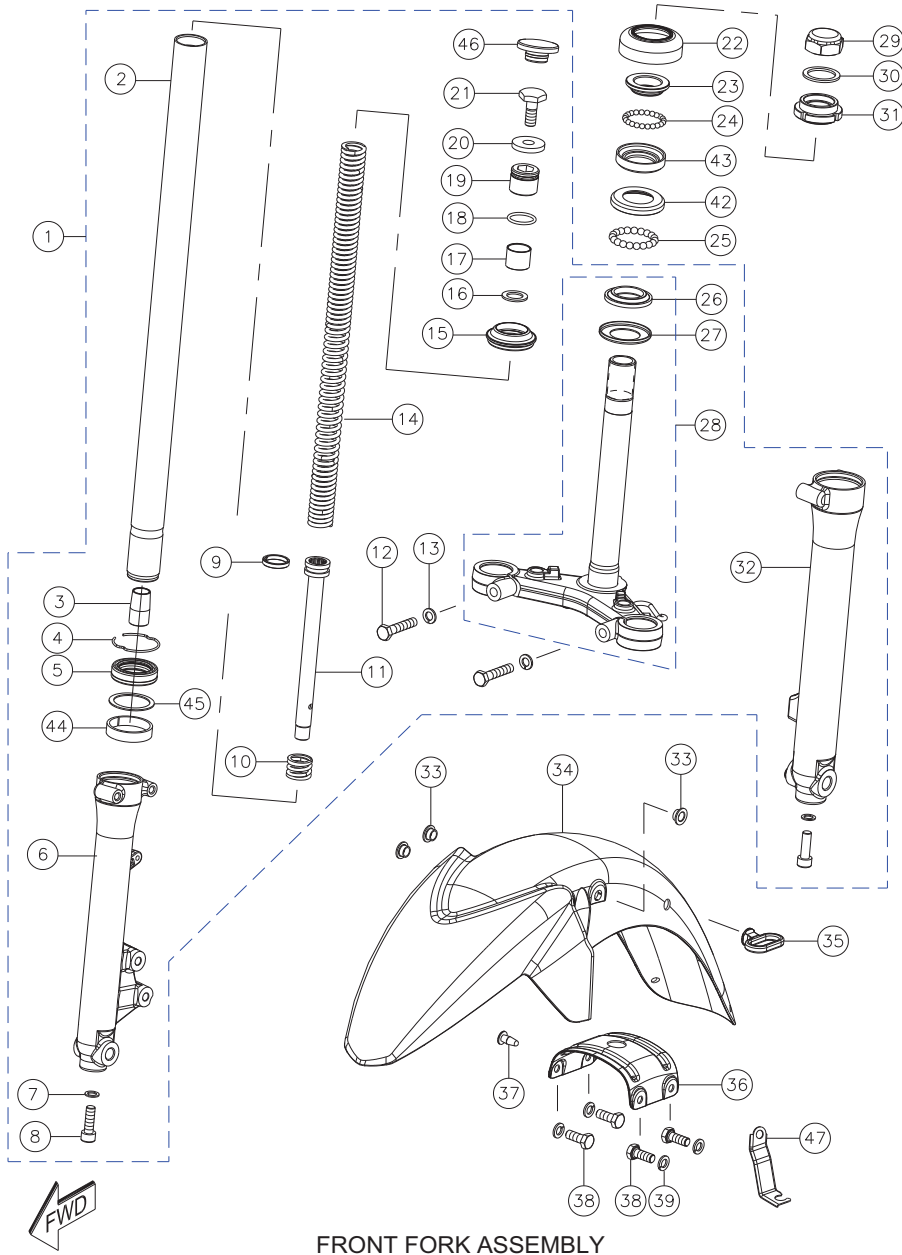
FIG. NO. 21

WIRING HARNESS, TCI UNIT & BATTERY ASSY.

REF. NO.	PART NO.	DESCRIPTION	NO. OFF		REMARKS
			APACHE		
			RTR 180	RTR 180 REF.	
18	0331708	CRR PAN HEAD SCREW M5x12	2	2	
19	M7160210	THROTTLE SWITCH	1	-	
19A	N9161890	THROTTLE SWITCH	-	1	N.I
20	N9160480	STEERING /IGNITION LOCK	1	1	
21	420518700	CRR PAN HEAD SCREW M6x20	2	2	
22	N9321400	BLANK KEY	1	-	N.I
23	N9060430	TCI UNIT	1	1	
24	0332275	CRR PAN HEAD SCREW M6x16	2	2	
25	N9212390	STICKER COMP. BATTERY	1	1	
26	N9161840	STARTER RELAY	1	1	
26A	N9160920	STARTER RELAY ASSY.	1	1	
27	N9161900	CORD SET STARTER RELAY	1	1	
28	R3160090	RUBBER BOOT	1	1	
29	N9322980	SPARE FUSE 10A	-	2	NI
30	N9324040	SPARE FUSE 20A	-	1	NI
31	N3160310	CLAMP WIRING HARNESS	1	1	

N.I - NOT ILLUSTRATED

FIG. NO. 22



FRONT FORK ASSEMBLY

FIG. NO. 22

FRONT FORK ASSEMBLY

REF. NO.	PART NO.	DESCRIPTION	NO. OFF		REMARKS
			APACHE		
			RTR 180	RTR 180 REF.	
1	N91010808R	FRONT FORK ASSY. (DISC)	1	-	
2	N9101090	INNER TUBE	2	-	
3	N3100300	SPINDLE TAPER	2	-	
4	N3100290	CIRCLIP FRONT FORK	2	-	
5	N3102420	SEAL OIL	2	-	
6	N91008708R	FORK OUTER TUBE RH (DISC)	1	-	
7	N8101230	HEX ALLEN SCREW	2	-	
8	N8101220	WASHER	2	-	
9	N3100330	PISTON RING	2	-	
10	N8101320	SPRING PISTON	2	-	
11	N9101120	PISTON FRONT FORK	2	-	
12	420955700	HEX SCREW M8x40	2	-	
13	0330318	WAVE SPRING WASHER M8	2	-	
14	N5101939	SPRING FRONT FORK	2	-	
15	N3102410	DUST SEAL	2	-	
16	N5101979	WASHER SPRING SEAT	2	-	
17	N9101010	SPACER FRONT FORK	2	-	
18	M7100300	O RING	1	-	
19	M7100310	NUT FRONT FORK	2	-	
20	N5101989	PLAIN WASHER	2	-	
21	N5101999	HEX BOLT	2	-	
22	M7101170	DUST SEAL STEERING UPPER	1	-	
23	S1101150	RACE STEERING OUTER	1	-	
24	420404000	3/16 BALLS	22	-	
25	K3200450	STEERING BALL LOWER (DIA 6.35)	19	-	

FIG. NO. 22

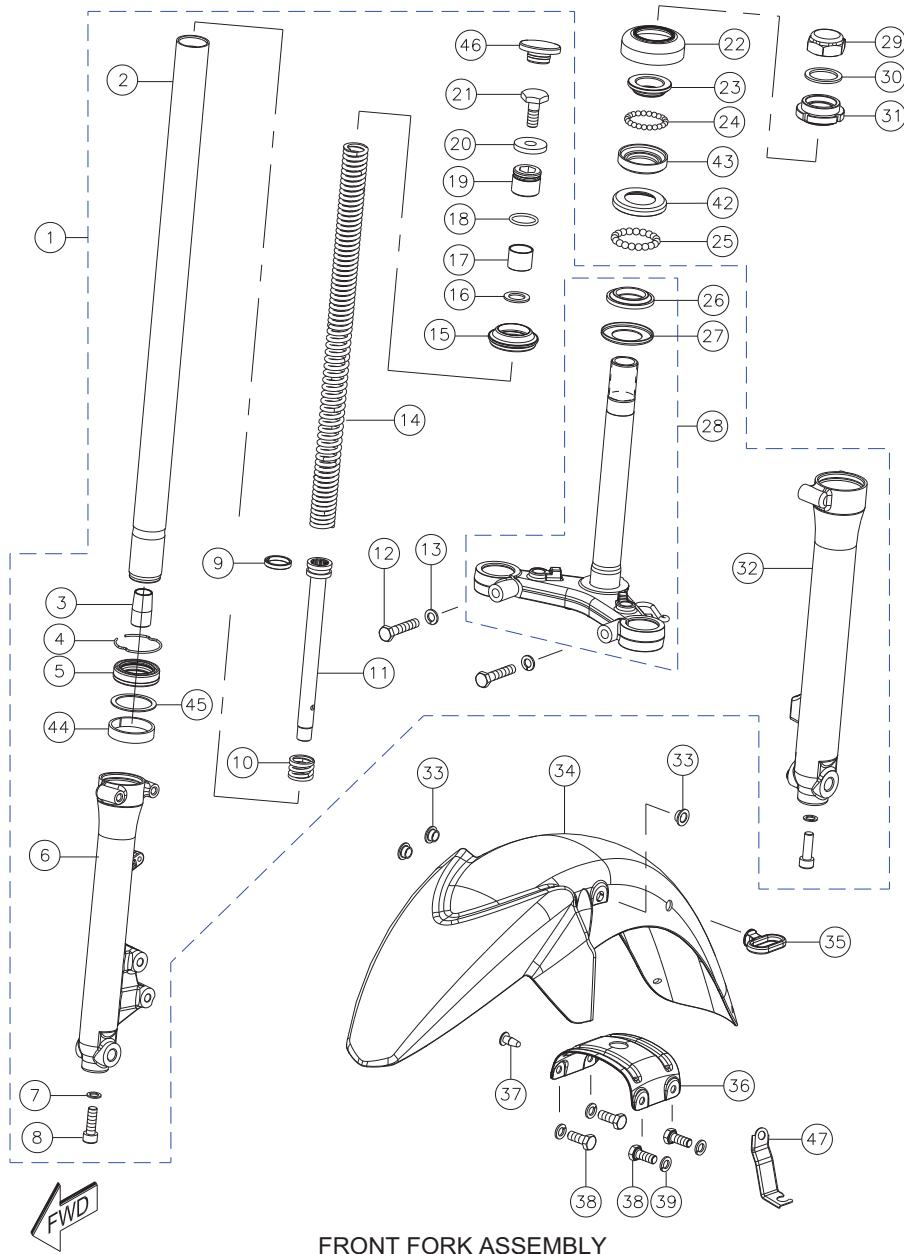


FIG. NO. 22

FRONT FORK ASSEMBLY

REF. NO.	PART NO.	DESCRIPTION	NO. OFF		REMARKS
			APACHE		
			RTR 180	RTR 180 REF.	
26	N8120910	CONE BOTTOM	1	-	
27	N8120920	DUST SEAL STEERING LOWER	1	-	
28	N9322140	LOWER BRKT COMP.	1	-	
29	N2100170	LOCK NUT STEERING	1	-	
30	410043700	SPECIAL WASHER	1	-	
31	0254088	ARRESTER STEERING STEM	1	-	
32	N91008208R	FORK OUTER TUBE LH (DISC)	1	-	
33	M7101020	SPACER FRONT FENDER	4	-	
34	----	FRONT FENDER	1	-	REF. COLOR PAGE
35	N3100220	GUIDE CABLE	1	-	
36	M7100570	BRACE FRONT FENDER	1	-	
37	N3100230	CLIP	1	-	
38	420454700	HEX SCREW M8x20	4	-	
39	0330318	WAVE SPRING WASHER M8	4	-	
40	N91009608R	LEG ASSY. LH FRONT FORK (DISC)	1	-	N.I
41	N91009708R	LEG ASSY. RH FRONT FORK (DISC)	1	-	N.I
42	K3100590	CUP BOTTOM	1	-	
43	S1125290	RACE STEERING INNER	1	-	
44	N9100770	DU BUSH	1	-	
45	N9100890	WASHER DU BUSH	1	-	
46	N9101020	CAP FRONT FORK TOP	2	-	
47	N9112180	CLAMP SPEED SENSOR	1	-	
48	N8320070	STEERING CONE KIT	1	-	**

** - REF. KIT & KIT CONTENTS
N.I - NOT ILLUSTRATED

FIG. NO. 22A

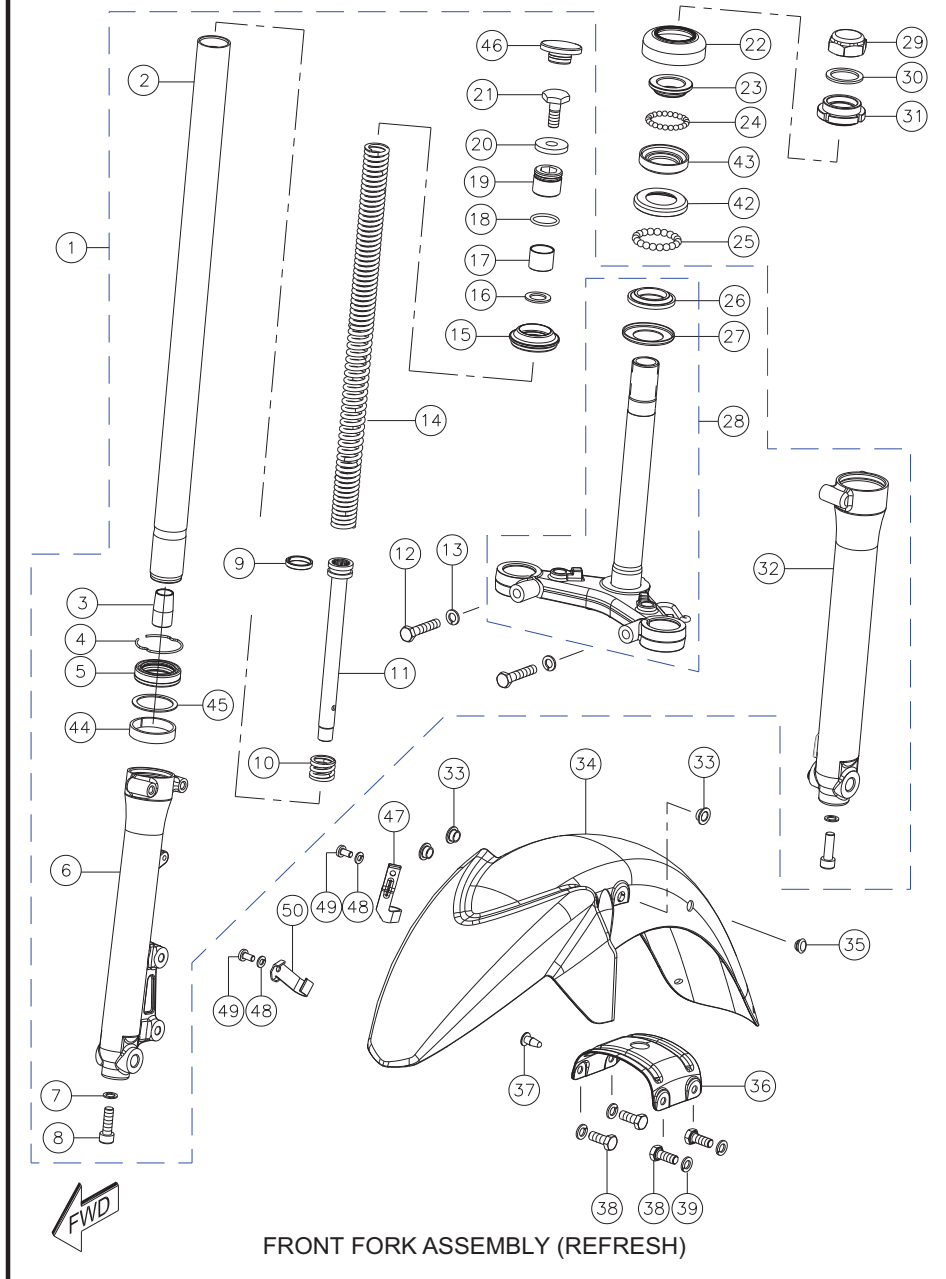


FIG. NO. 22A

FRONT FORK ASSEMBLY (REFRESH)

REF. NO.	PART NO.	DESCRIPTION	NO. OFF		REMARKS
			APACHE		
			RTR 180	RTR 180 REF.	
1	N91010808R	FRONT FORK ASSY. (DISC)	-	1	
2	N9101090	INNER TUBE	-	2	
3	N3100300	SPINDLE TAPER	-	2	
4	N3100290	CIRCLIP FRONT FORK	-	2	
5	N3102420	SEAL OIL	-	2	
6	N91008708R	FORK OUTER TUBE RH (DISC)	-	1	
7	N8101230	HEX ALLEN SCREW	-	2	
8	N8101220	WASHER	-	2	
9	N3100330	PISTON RING	-	2	
10	N8101320	SPRING PISTON	-	2	
11	N9101120	PISTON FRONT FORK	-	2	
12	420955700	HEX SCREW M8x40	-	2	
13	0330318	WAVE SPRING WASHER M8	-	2	
14	N5101939	SPRING FRONT FORK	-	2	
15	N3102410	DUST SEAL	-	2	
16	N5101979	WASHER SPRING SEAT	-	2	
17	N9101010	SPACER FRONT FORK	-	2	
18	M7100300	O RING	-	1	
19	M7100310	NUT FRONT FORK	-	2	
20	N5101989	PLAIN WASHER	-	2	
21	N5101999	HEX BOLT	-	2	
22	M7101170	DUST SEAL STEERING UPPER	-	1	
23	S1101150	RACE STEERING OUTER	-	1	
24	420404000	3/16 BALLS	-	22	
25	K3200450	STEERING BALL LOWER (DIA 6.35)	-	19	
26	N8120910	CONE BOTTOM	-	1	
27	N8120920	DUST SEAL STEERING LOWER	-	1	

FIG. NO. 22A

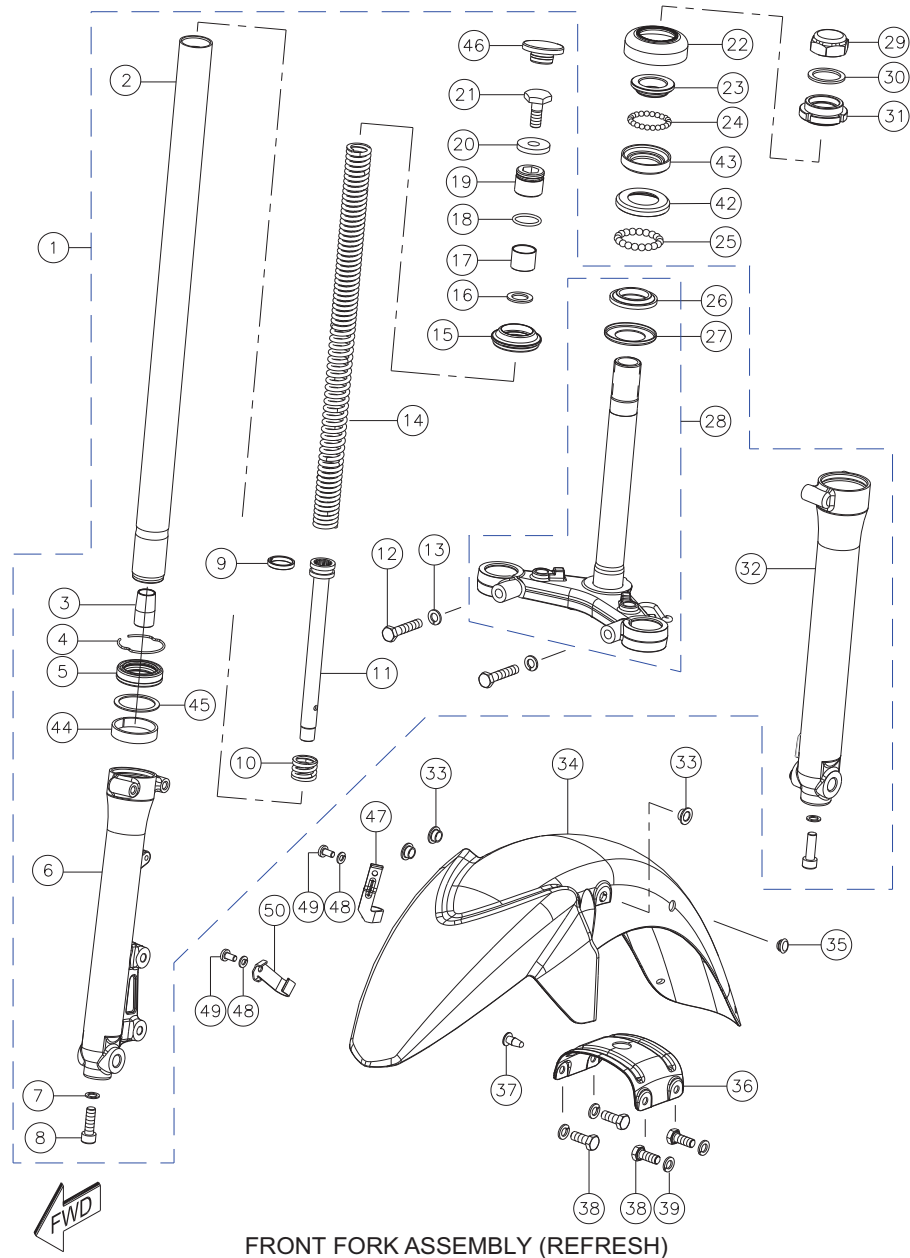


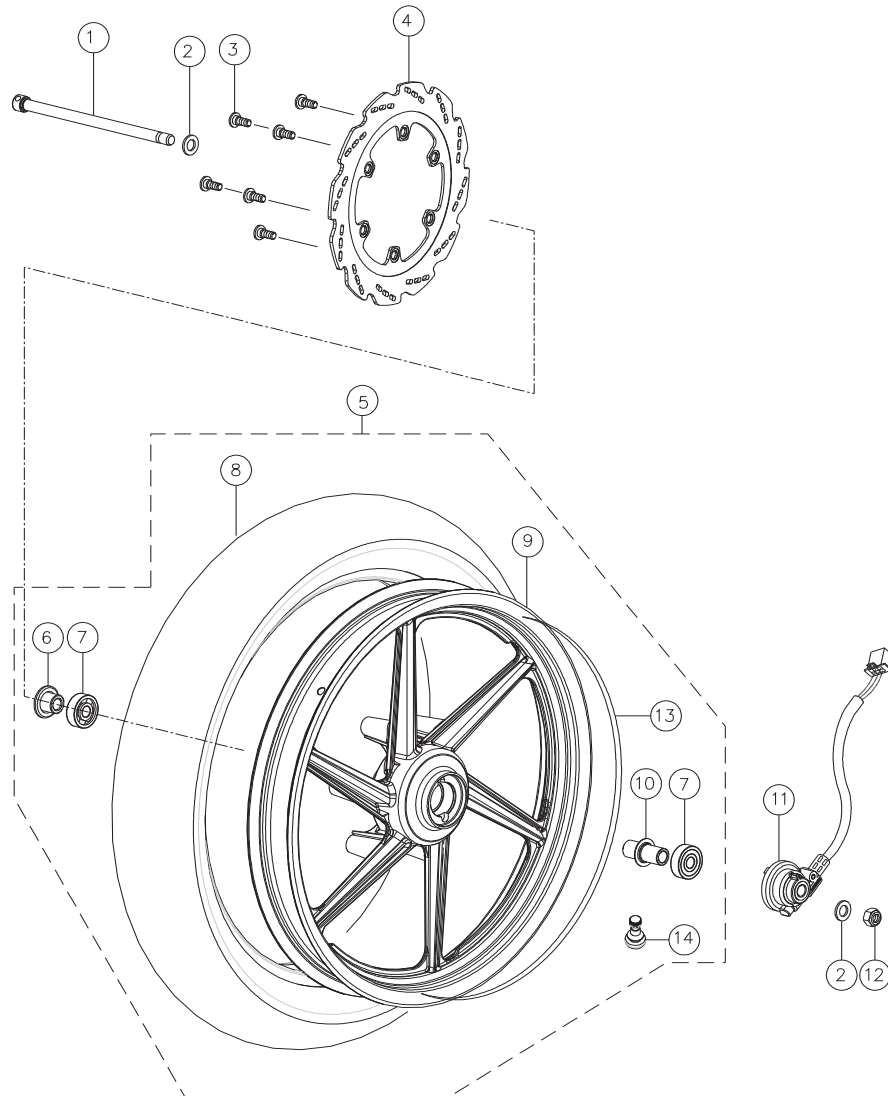
FIG. NO. 22A

FRONT FORK ASSEMBLY (REFRESH)

REF. NO.	PART NO.	DESCRIPTION	NO. OFF		REMARKS
			APACHE		
			RTR 180	RTR 180 REF.	
28	N9322140	LOWER BRKT COMP.	-	1	
29	N2100170	LOCK NUT STEERING	-	1	
30	410043700	SPECIAL WASHER	-	1	
31	0254088	ARRESTER STEERING STEM	-	1	
32	N91010608R	FORK OUTER TUBE LH (DISC)	-	1	
33	M7101020	SPACER FRONT FENDER	-	4	
34	----	FRONT FENDER	-	1	REF. COLOR PAGE
35	U2100190	PLUG FENDER FRONT	-	1	
36	M7100570	BRACE FRONT FENDER	-	1	
37	N3100230	CLIP	-	1	
38	420454700	HEX SCREW M8x20	-	4	
39	0330318	WAVE SPRING WASHER M8	-	4	
40	N91009608R	LEG ASSY. LH FRONT FORK (DISC)	-	1	N.I
41	N91009708R	LEG ASSY. RH FRONT FORK (DISC)	-	1	N.I
42	K3100590	CUP BOTTOM	-	1	
43	S1125290	RACE STEERING INNER	-	1	
44	N9100770	DU BUSH	-	1	
45	N9100890	WASHER DU BUSH	-	1	
46	N9101020	CAP FRONT FORK TOP	-	2	
47	N9111270	CLAMP HOSE UNDER BRKT	-	1	NEW
48	0330408	PUNCHED WASHER	-	2	"
49	P200270	SCREW	-	2	"
50	N9111220	CLAMP BREAK HOSE	-	1	"
51	N8320070	STEERING CONE KIT	-	1	**

N.I - NOT ILLUSTRATED
 ** - REF. KIT & KIT CONTENTS

FIG. NO. 23



FRONT ALLOY WHEEL ASSY. (DISC BRAKE)

FIG. NO. 23

FRONT ALLOY WHEEL ASSY. (DISC BRAKE)

REF. NO.	PART NO.	DESCRIPTION	NO. OFF		REMARKS
			APACHE		
			RTR 180	RTR 180 REF.	
1	N3110990	AXLE Ø12 x 221.5	1	1	
2	0335538	PUNCHED WASHER 12.5 x 22 x 2.3	2	2	
3	M7110090	SCREW SPECIAL M8	6	6	
4	N9111890	DISC PLATE	1	1	
5	N9112890	WHEEL ASSY.FRONT WITH TAPESET	1	1	
6	M7110160	SPACER COMP. FR HUB BEARING	1	1	
7	N3200010	BALL BEARING 12 x 37 x 12	2	2	
8	N9112910	TYRE TUBELESS FRONT 90 / 90-17	1	1	
9	N9112860	ALLOY WHEEL WITH TAPE SET FRONT	1	1	
10	M7110100	SPACER COMP. LH	1	1	
11	N9111800	SPEED SENSOR	1	1	
12	0334158	U NUT M12 x 1.25	1	1	
13	N9216580	TAPE SET RR WHEEL (1 P. WHITE)	4	4	
14	N9112880	VALVE TUBELESS TYRE	1	1	

FIG. NO. 24

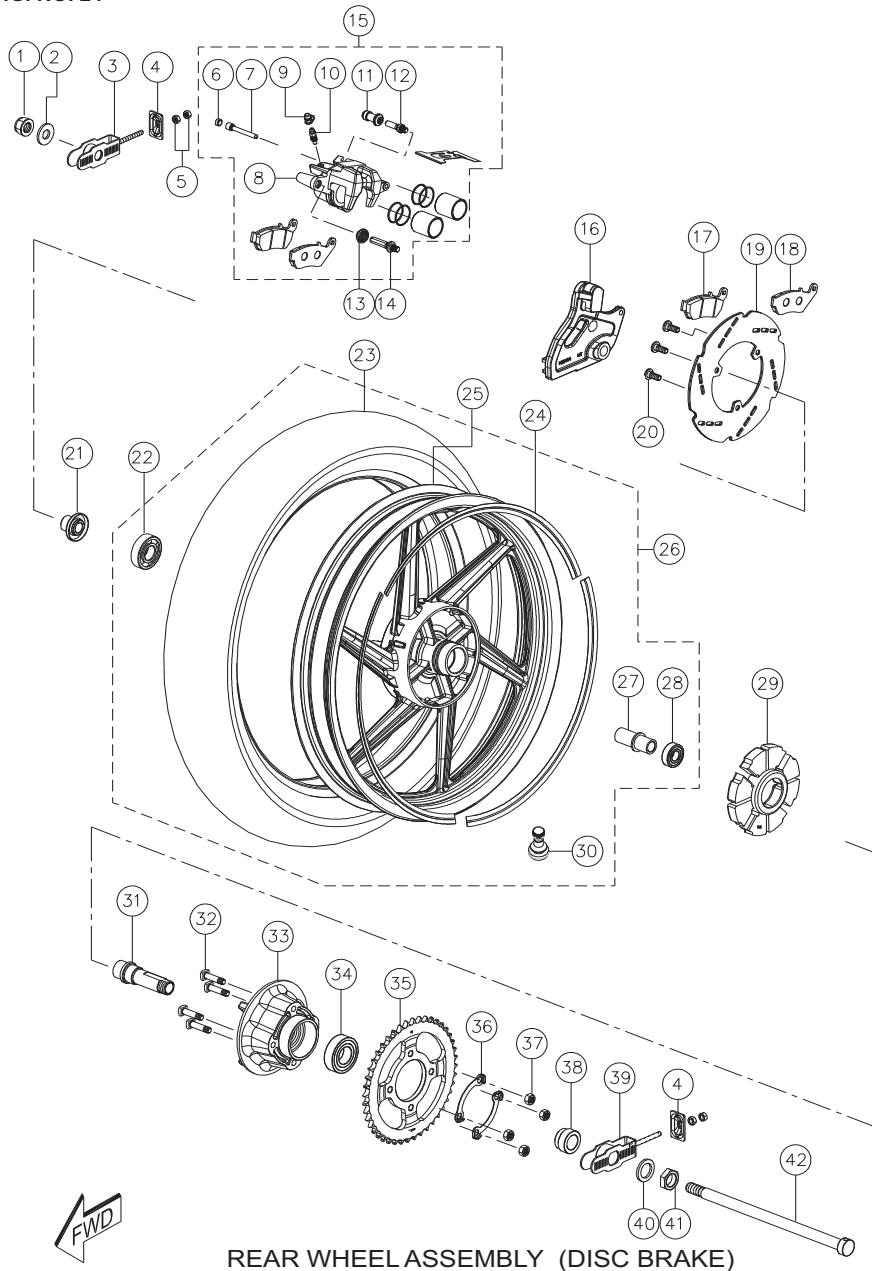
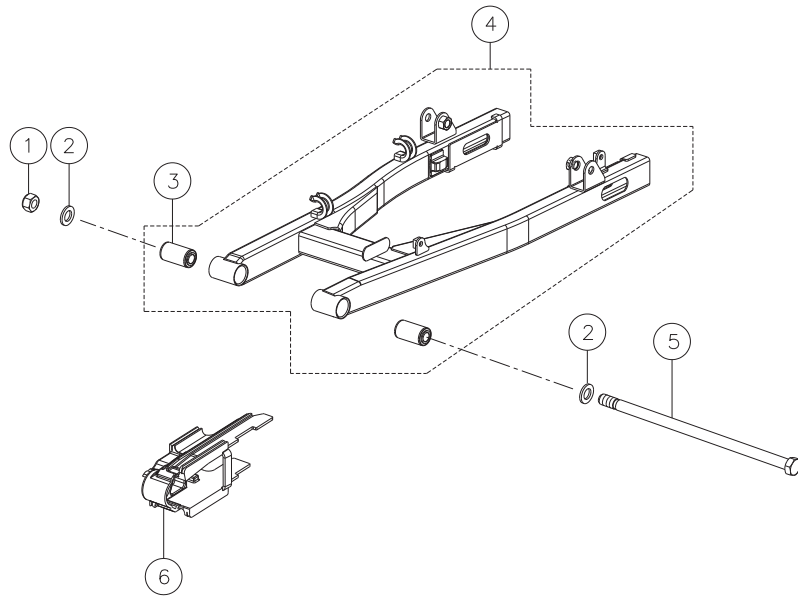


FIG. NO. 24

REAR WHEEL ASSEMBLY (DISC BRAKE)

REF. NO.	PART NO.	DESCRIPTION	NO. OFF		REMARKS
			APACHE		
			RTR 180	RTR 180 REF.	
22	1339510	BALL BEARING 15x42x13	1	1	
23	N9112920	TYRE 110/80 - 17 (TUBELESS)	1	1	
24	N9216580	TAPE SET RR WHEEL (1 P. WHITE)	4	4	
25	N9112840	ALLOY WHEEL REAR DISC 2.15x17	1	1	
26	N9112750	REAR WHEEL ASSY. DISC (T. LESS)	1	1	
27	1182200	SPACER COMP.	1	1	
28	1339520	BALL BEARING 15x35x11	1	1	
29	1181150	SHOCK ABSORBER RR WHEEL HUB	1	1	
30	N9112880	VALVE TUBELESS TYRE	1	1	
31	N9110690	SHAFT REAR SPROCKET MTG	1	1	
32	0331318	BOLT REAR SPROCKET	4	4	
33	1181070	DRUM REAR SPROCKET 130DIA	1	1	
34	1339120	BALL BEARING 25x52x15	1	1	
35	N9112570	SPROCKET REAR 46T	1	1	
36	1181160	WASHER REAR SPROCKET	2	2	
37	0334548	HEX NUT M8	4	4	
38	M7110740	SPACER REAR AXLE LH	1	1	
39	N9090940	CHAIN ADJUSTER COMP. LH	1	1	
40	M7200010	WASHER 21.6x32x3.2	1	1	
41	0334640	HEX NUT M20	1	1	
42	N9110700	REAR AXLE 15x290	1	1	

FIG. NO. 25



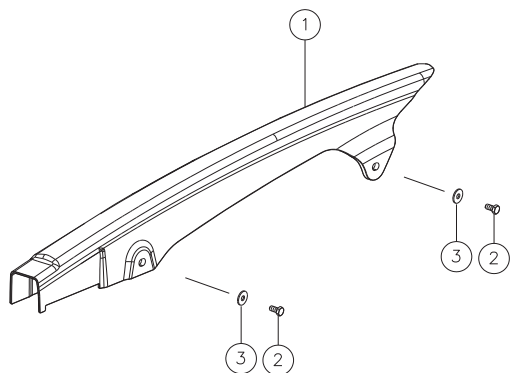
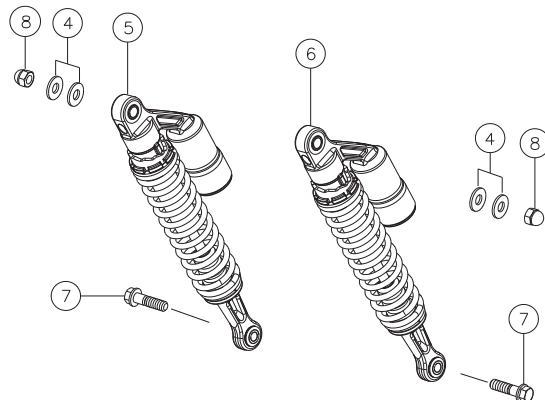
SWINGING ARM ASSEMBLY

FIG. NO. 25

SWINGING ARM ASSEMBLY

REF. NO.	PART NO.	DESCRIPTION	NO. OFF		REMARKS
			APACHE		
			RTR 180	RTR 180 REF.	
1	0334158	NUT REAR SWINGING ARM PIVOT	1	1	
2	0336018	PUNCHED WASHER 8.5x20x2	2	2	
3	N3090670	BUSH SWING ARM	2	2	
4	N9092230	SWING ARM ASSY. BLACK (WITH BUSH)	1	1	
5	C8090230	AXLE 12x225	1	1	
6	N8090380	BUFFER CHAIN TOUCH	1	1	

FIG. NO. 26



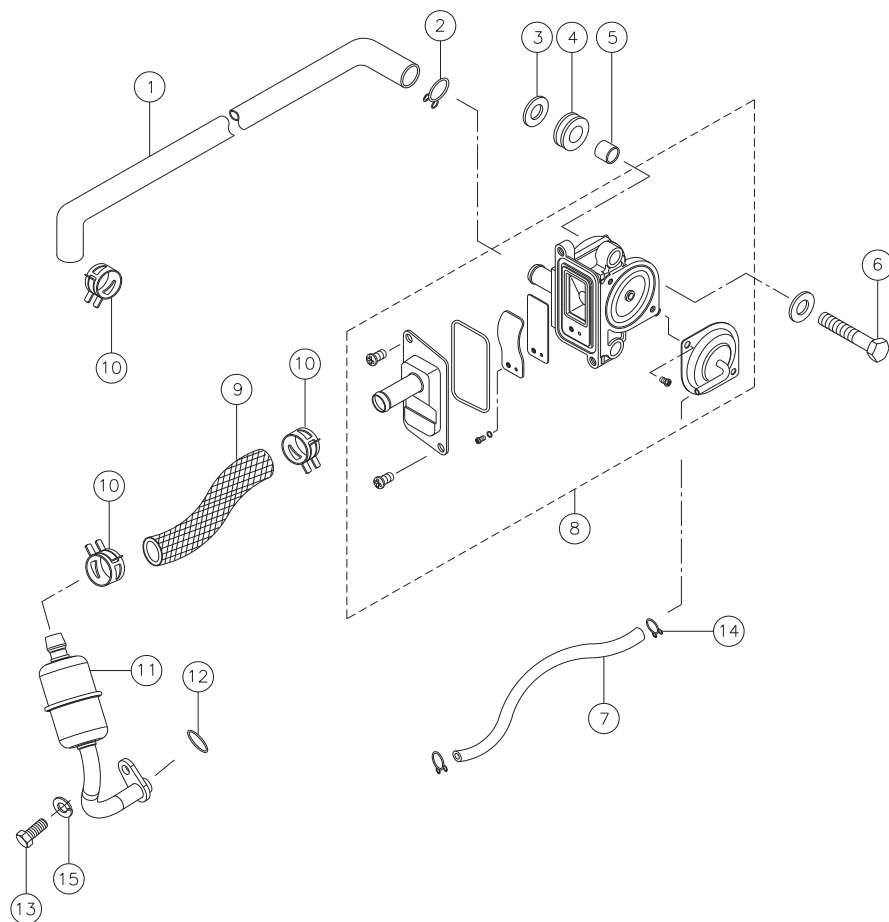
SHOCK ABSORBER & CHAIN CASE ASSY.

FIG. NO. 26

SHOCK ABSORBER & CHAIN CASE ASSY.

REF. NO.	PART NO.	DESCRIPTION	NO. OFF		REMARKS
			APACHE		
			RTR 180	RTR 180 REF.	
1	N9091700	CHAIN COVER	1	1	
2	420452700	HEX SCREW M6x12	2	2	
3	420011700	3D WASHER A6.4	2	2	
4	0335628	PUNCHED WASHER 10.5x24x2.3	4	4	
5	N9092260	SHOCK ABSORBER RH GF CANISTER	1	1	(BLACK)
6	N9092250	SHOCK ABSORBER LH GF CANISTER	1	1	"
7	N3200050	HEX FLANGE BOLT M10x1.5x36	2	2	
8	A200580	DOMED CAP NUT M10x25	2	2	

FIG. NO. 27



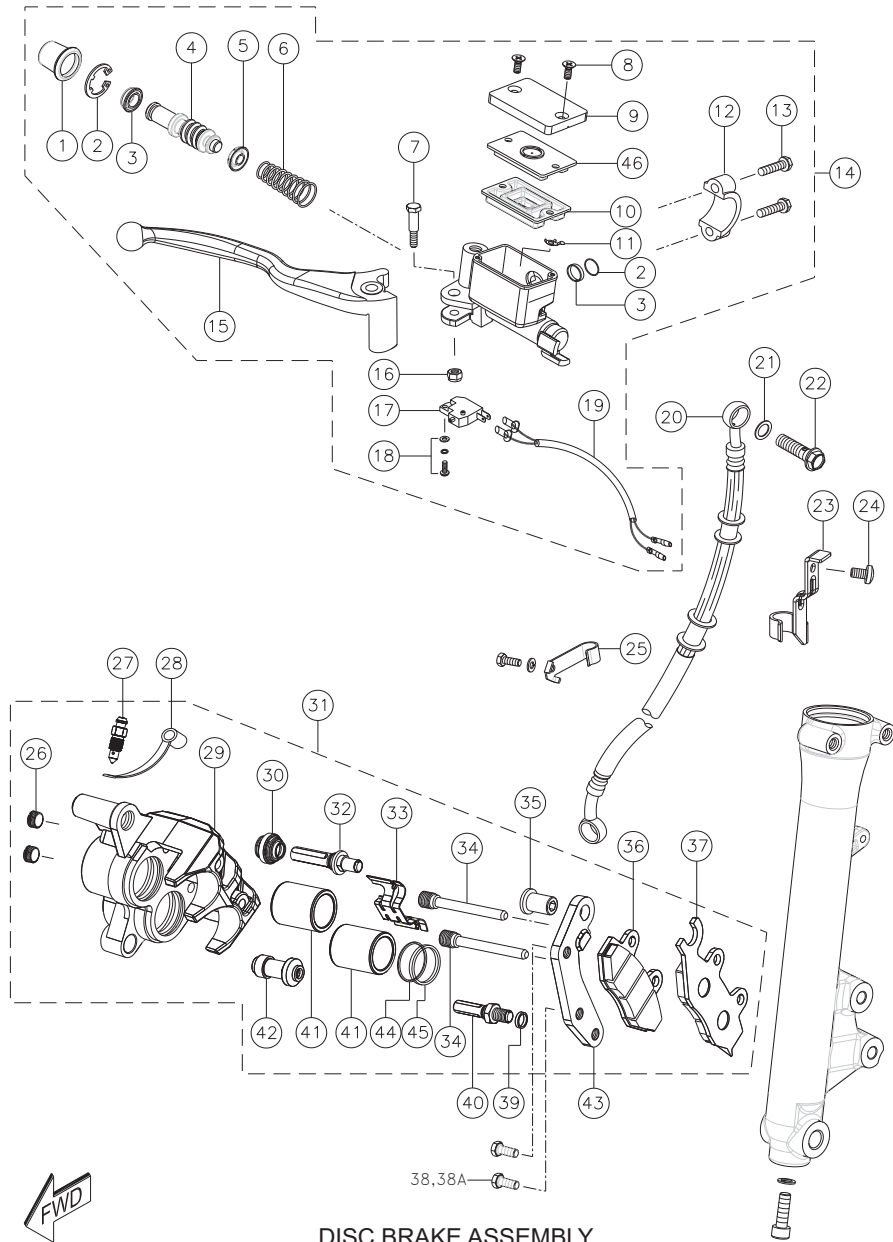
SECONDARY AIR INJECTION ASSY.

FIG. NO. 27

SECONDARY AIR INJECTION ASSY.

REF. NO.	PART NO.	DESCRIPTION	NO. OFF		REMARKS
			APACHE		
			RTR 180	RTR 180 REF.	
1	N9041080	HOSE AIR INLET	1	1	
2	N2041150	HOSE CLIP	1	1	
3	0335608	PUNCHED WASHER	2	2	
4	N2041670	CUSHION VALVE MOUNTING	1	1	
5	N3160220	SPACER	1	1	
6	N3200190	HEX BOLT M6x30	1	1	
7	N9040300	HOSE AIR CUT VALVE	1	1	
8	N9041060	SECONDARY AIR INJECTION VALVE	1	1	
9	M7040060	HOSE AIR OUTLET	1	1	
10	N2041160	HOSE CLIP No. 1	3	3	
11	N9041560	PIPE COMP. SECO. AIR INJECTION	1	1	
12	N8040340	O RING 1.9x10	1	1	
13	M1200640	HEX SCREW M6x16 6.8 ZNG	1	1	
14	414147000	CLIP FUEL HOSE	1	1	
15	0330408	WAVE SPRING WASHER	1	1	

FIG. NO. 28



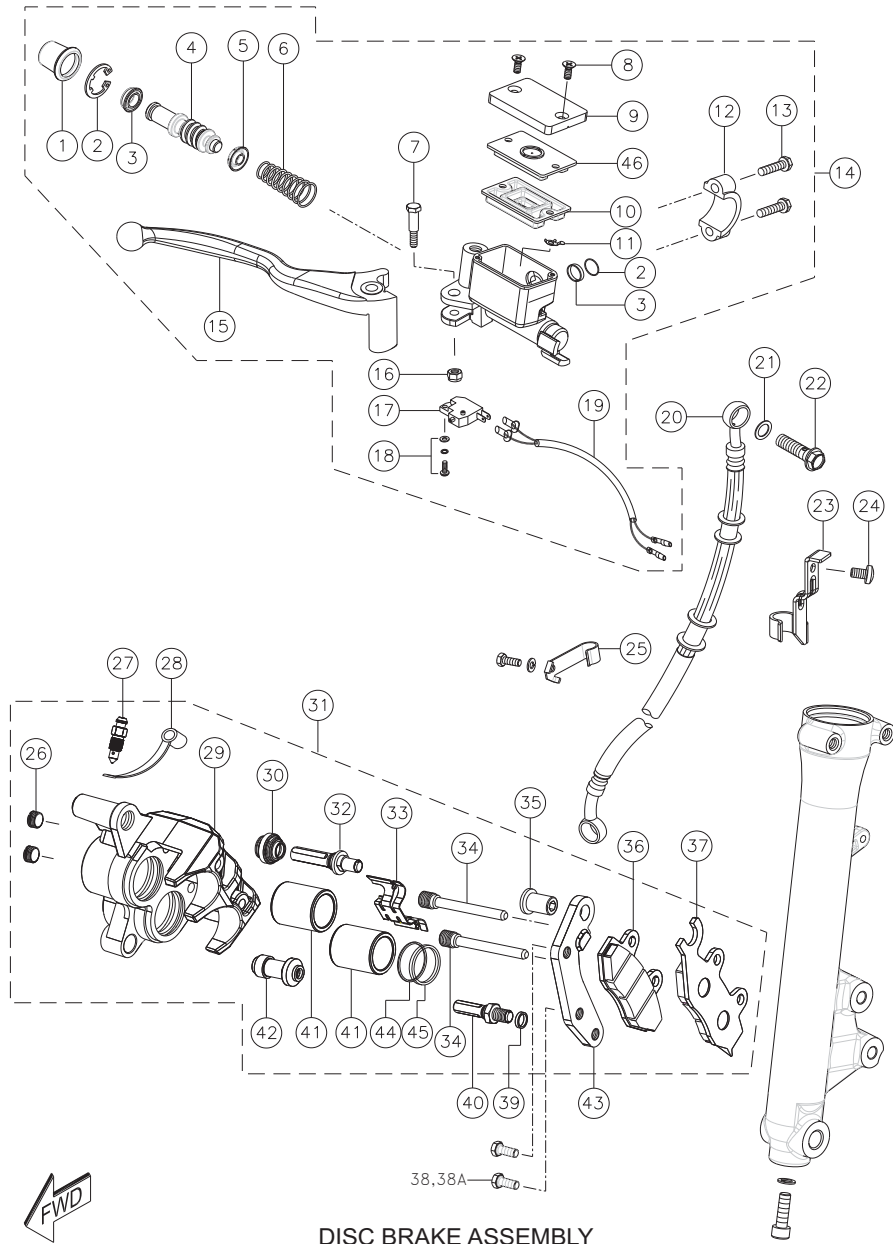
DISC BRAKE ASSEMBLY

FIG. NO. 28

DISC BRAKE ASSEMBLY

REF. NO.	PART NO.	DESCRIPTION	NO. OFF		REMARKS
			APACHE		
			RTR 180	RTR 180 REF.	
1	----	BOOTS ASSEMBLY	1	1	REF. KIT. No. N9322840
2	----	SNAP RING	1	1	"
3	----	S CUP	1	1	"
4	----	PISTON	1	1	"
5	----	P CUP	1	1	"
6	----	SPRING	1	1	"
7	----	HAND LEVER BOLT	1	1	N9321500
8	----	SCREW RESERVOIR CAP	2	2	N9321530
9	----	RESERVOIR CAP	1	1	"
10	N9322010	DIAPHRAGM	1	1	N9322840
11	----	PROTECTOR	1	1	"
12	----	HOLDER	1	1	N9321510
13	----	HOLDER BOLT	2	2	"
14	N91111403C	ASSY. MASTER CYLINDER	1	1	
15	---	LEVER RH	1	1	N9322020
16	----	FLANGE NUT	1	1	
17	----	SWITCH ASSY	1	1	N9321520
18	----	SCREW & WASHER	1	1	"
19	----	SUB HARNESS	1	1	"
20	----	HOSE COMP BRAKE	1	1	N9322030
21	N9111330	GASKET	4	4	N9321540
22	N9111320	BANJO BOLT	2	2	"
23	N9111270	CLAMP HOSE UNDER BRACKET	1	1	

FIG. NO. 28



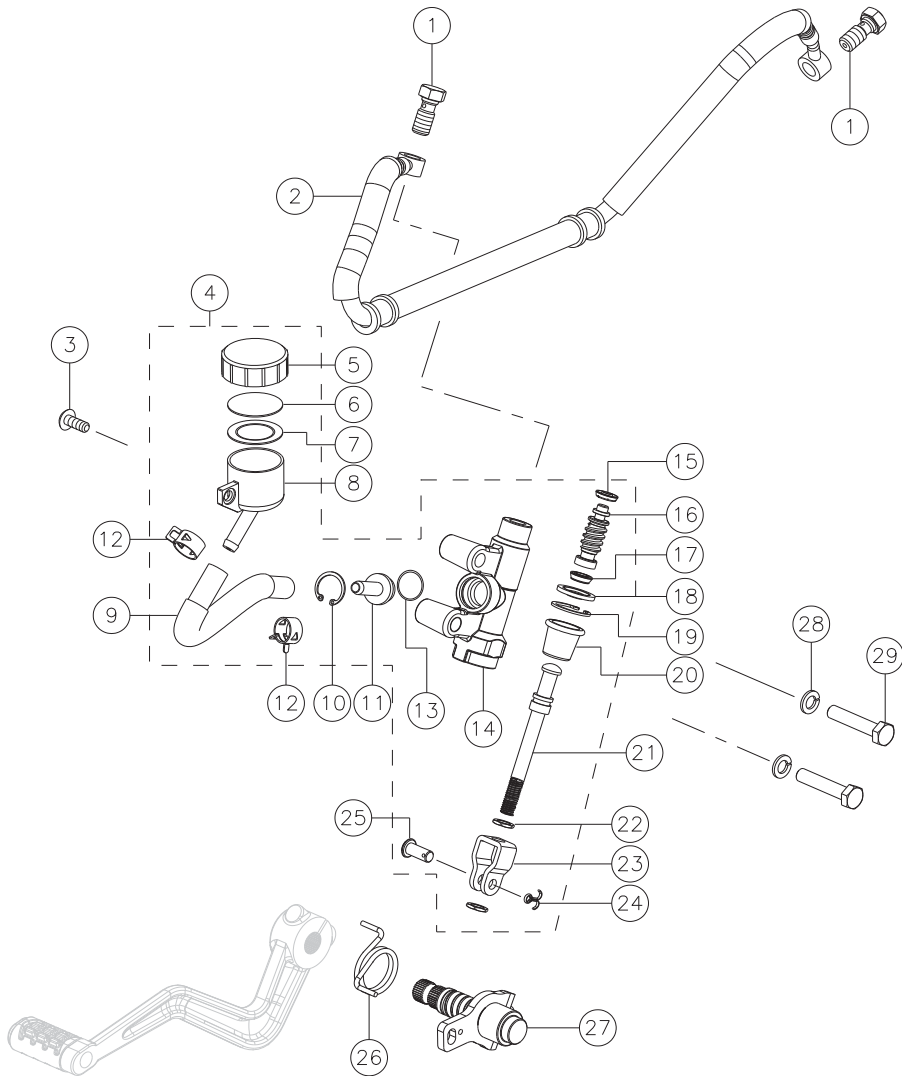
DISC BRAKE ASSEMBLY

FIG. NO. 28

DISC BRAKE ASSEMBLY

REF. NO.	PART NO.	DESCRIPTION	NO. OFF		REMARKS
			APACHE		
			RTR 180	RTR 180 REF.	
					REF. KIT. No.
24	3257448	SCREW M6x10	1	1	
25	N9111220	CLAMP BRAKE HOSE	1	1	
26	----	PLUG PIN	2	2	
27	----	BLEEDER	1	1	N9321600
28	----	CAP BLEEDER	1	1	"
29	----	BODY CALIPER COMP.	1	1	
30	----	BOOT B	1	1	N9321550
31	N9111930	CALIPER ASSY.	1	1	
32	----	PIN BOLT A	1	1	N9321550
33	----	SPRING PAD	1	1	"
34	----	PIN HANGER	2	2	"
35	----	INNER HEX NUT	1	1	N9321570
36	----	PAD COMP INNER	1	1	N9111300
37	----	PAD COMP OUTER	1	1	"
38	U2200010	HEX FLANGE BOLT M8x27	2	-	
38A	S1101250	HEX BOLT M8x35	-	2	
39	----	SPRING WASHER	1	1	N9321570
40	----	PIN BOLT B	1	1	N9321550
41	----	PISTON CALIPER	2	2	"
42	----	BUSH BOOT PIN	1	1	"
43	----	BRACKET COMP FRONT	1	1	N9321860
44	----	DUST SEAL 1	2	2	N9321550
45	----	DUST SEAL 2	2	2	"
46	----	PLATE DIAPHRAGM	1	1	N9321530

FIG. NO. 29



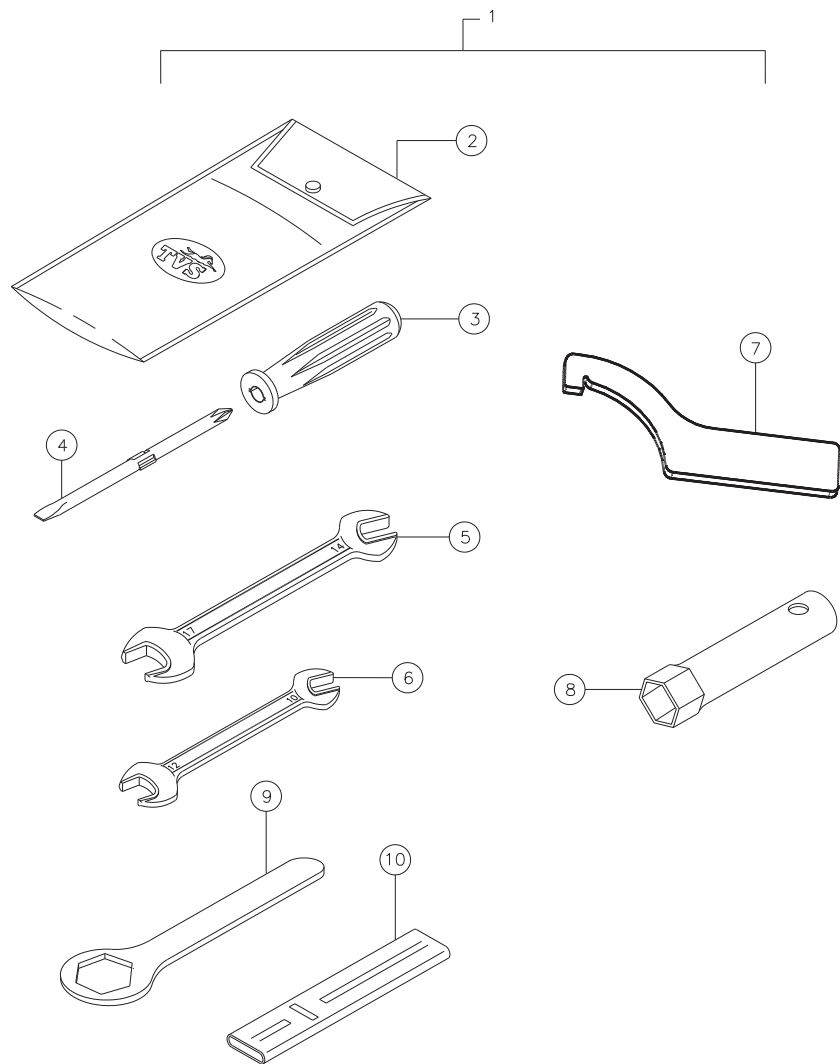
MASTER CYLINDER ASSY. RR DISC BRAKE

FIG. NO. 29

MASTER CYLINDER ASSY. RR DISC BRAKE

REF. NO.	PART NO.	DESCRIPTION	NO. OFF		REMARKS
			APACHE		
			RTR 180	RTR 180 REF.	
1	M7110330	BANJO BOLT	2	2	
2	N9111430	BRAKE HOSE & OIL RESERVOIR	1	1	
3	0332275	CRR PAN HEAD SCREW	1	1	
4	N9112070	MASTER CYLINDER ASSY. RR DISC BR.	1	1	
5	----	CAP OIL TANK	1	1	N9322270
6	----	PLATE DIAPHRAGM	1	1	"
7	----	DIAPHRAGM	1	1	"
8	----	OIL TANK	1	1	"
9	----	HOSE OIL	1	1	N9322260
10	----	CIRCLIP	1	1	"
11	----	INSERT (LOOSE FITTING)	1	1	"
12	----	BUCKLE HOSE	2	2	"
13	----	O RING	1	1	"
14	----	M/C BODY REAR	1	1	"
15	----	CUP PRIMARY	1	1	"
16	----	PISTON M/C REAR	1	1	"
17	----	CUP SECONDARY	1	1	"
18	----	STOP PLATE	1	1	"
19	----	CIRCLIP	1	1	"
20	----	BOOT COMP.	1	1	"
21	----	BUSH ROD	1	1	"
22	----	NUT ROD	2	2	"
23	----	JOINT ROD	1	1	"
24	----	COTTER PIN	1	1	"
25	----	PIN	1	1	"
26	N9111870	SPRING BRAKE RETURN	1	1	
27	N9111840	SHAFT COMP. BRAKE PEDAL	1	1	
28	0330318	SPRING WASHER	2	2	
29	420955700	HEX SCREW M8x40	2	2	

FIG. NO. 30



TOOL KIT

FIG. NO. 30

TOOL KIT

REF. NO.	PART NO.	DESCRIPTION	NO. OFF		REMARKS
			APACHE		
			RTR 180	RTR 180 REF.	
1	N9212270	TOOL KIT SET	1	1	
2	----	TOOL BAG	1	1	
3	----	GRIP DRIVER	1	1	
4	----	BIT (+) (-)	1	1	
5	----	OPEN END SPANNER 14x17	1	1	
6	----	OPEN END SPANNER 10x12	1	1	
7	----	ADJUSTER SHOCK ABSORBER RR	1	1	
8	----	BOX SPANNER 16	1	1	
9	----	RING SPANNER	1	1	
10	----	HANDLE RING SPANNER	1	1	
SPECIAL TOOL					
1	M1310010	HOLDER ASSY.			
2	M1310020	PULLER ASSY. ROTOR			
3	M1310070	TAPPET ADJUSTER			
4	M1310110	PULLER ASSEMBLY			
5	N9322410	PC DYN			

APACHE RTR 180 KIT & KIT CONTENTS

S. No.	KIT PART NO.	KIT DESCRIPTION	MODEL	KIT CONTENTS			
				S. NO.	PART NO.	DESCRIPTION	QTY
1	N9321550	KIT CALIPER (MAJOR)	RTR 180	1		BUSH BOOT, PIN	1
				2		BOOT,B	1
				3		PAD SPRING	1
				4		DUST SEAL	2
				5		PLUG	1
				6		PIN HANGER	2
				7		PLUG,PIN	2
				8		PISTON, CALIPER	2
				9		SEAL , PISTON	2
2	N9321560	KIT CALIPER (MINOR)	RTR 180	1		BOOT B	1
				2		CAP BLEEDER	1
				3		SEAL - PISTON	2
				4		BUSH BOOT PIN	1
				5		DUST SEAL	2
3	N9321860	KIT CARRIER ASSY(MAJOR)	RTR 180	1		BRACKET COMP. FRONT RTR	1
				2		PIN BOLT, B	1
				3		PIN BOLT, A	1
				4		INNER HEXAGON NUT	1
				5		SPRING WASHER	1
4	N9321580	KIT CARRIER ASSY (MINOR)	RTR 180	1		BOOT,B	1
				2		BUSH BOOT PIN	1
5	N9111300	KIT PAD ASSY	RTR 180	1		PAD COMP OUTER	1
				2		PAD COMP INNER	1
6	N9321600	KIT BLEEDER	RTR 180	1		BLEEDER	1
				2		CAP BLEEDER	1
7	N9324430	KIT CYLINDER HEAD & COVER APACHE RTR 180	RTR 180	1	N90105007D	CYLINDER HEAD COMP -RTR 180 - TITAN GREY	1
				2	M70108307D	COVER CYLINDER HEAD TITAN GREY	1
				3	M1010090	PIN CYLINDER HEAD COVER KNOCK	2

APACHE RTR 180 KIT & KIT CONTENTS

S. No.	KIT PART NO.	KIT DESCRIPTION	MODEL	KIT CONTENTS			
				S. NO.	PART NO.	DESCRIPTION	QTY
8	N9322840	KIT MASTER CYLINDER(MAJOR)	RTR 180	1		DIAPHRAGM	1
				2		O RING	1
				3		GAUGE COMP.LEVEL	1
				4		SPRING	1
				5		CIRCLIP	1
				6		BOOT COMP	1
				7		PISTON.FRONT	1
				8		CUP.SECONDARY	1
				9		CUP.PRIMARY	1
				10		PROTECTOR	1
9	N9322020	KIT LEVER	RTR 180	1		LEVER RH RTR	1
				2		HAND LEVER BOLT	1
				3		FLANGE NUT	1
10	N9321510	KIT HOLDER	RTR 180	1		HOLDER	1
				2		HOLDER BOLT	2
11	N9321520	KIT SWITCH ASSY.	RTR 180	1		SWITCH ASSY	1
				2		SUB HARNESS	1
				3		SCREW & WASHER	1
12	N9321530	KIT RESERVOIR	RTR 180	1		PLATE.DIAPHRAGM	1
				2		RESERVOIR CAP	1
				3		SCREW.PLATE.M4x12	2
13	N9322030	KIT HOSE ASSY.	RTR 180	1		HOSE ASSEMBLY RTR	1
				2		BANJO BOLT	2
				3		GASKET	4
14	N9322190	KIT CALIPER MAJOR (REAR DISC)	RTR 180	1		SEAL PISTON	1
				2		PISTON CALIPER	1
				3		PLUG PIN	1
				4		PIN HUNGER	1
				5		PLUG	1
				6		DUST SEAL	1
				7		PAD SPRING	1
				8		BOOT B	1
				9		BUSH BOOT PIN	1
				10		BODY CALIPER RR	1
15	N9322220	KIT CARRIER ASSY. MAJOR (RR DISC)	RTR 180	1		PIN BOLT A	1
				2		PIN BOLT B	1
				3		BRKT COMP. REAR	1

APACHE RTR 180 KIT & KIT CONTENTS

S. No.	KIT PART NO.	KIT DESCRIPTION	MODEL	KIT CONTENTS			
				S. NO.	PART NO.	DESCRIPTION	QTY
16	N9322240	KIT PAD ASSY. (REAR DISC)	RTR 180	1		PAD COMP. INNER	1
				2		PAD COMP. OUTER	1
17	N9322250	KIT BLEEDER (REAR DISC)	RTR 180	1		CAP BLEEDER	1
				2		BLEEDER	1
18	N9322260	KITMASTER CYLINDER MAJOR (REAR DISC)	RTR 180	1		COTTER PIN	1
				2		PIN	1
				3		JOINT ROD	1
				4		NUT ROD	2
				5		PUSH ROD	1
				6		BOOT COMP.	1
				7		CIRCLIP	1
				8		STOP PLATE	1
				9		CUP SECONDARY	1
				10		PISTON M/C REAR	1
				11		O RING	1
				12		CIRCLIP	1
				13		M/C BODY	1
				14		CUP PRIMERY	1
				15		SPRING	1
				16		BUCKLE HOSE	2
				17		LOOSE FITTING	1
				18		HOSE	1
				19		SLEEVE HOSE	1
				20		DIAPHRAGM	1
19	N9322270	KIT RESERVOIR (REAR DISC)	RTR 180	1		OIL TANK	1
				2		CAP OIL TANK	1
				3		PLATE DIAPHRAGM	1
20	N9322760	KIT LEVEL GAUGE	RTR 180	1		GAUGE COMP. LEVEL	1
				2		O RING	1

APACHE RTR 180 KIT & KIT CONTENTS

S. No.	KIT PART NO.	KIT DESCRIPTION	MODEL	KIT CONTENTS			
				S. NO.	PART NO.	DESCRIPTION	QTY
21	N90105107D	CYLINDER HEAD ASSY. KIT	RTR180	1	N90105007D	HEAD COMP CYLINDER ASSY.	1
				2	M7040229	INSERT AIR INJECTION	1
				3	M70108307D	COVER CYLINDER HEAD - MACHINED	1
				4	M1010380	CAP INSPECTION HOLE	2
				5	M7011010	SPARK PLUG FIERO	1
				6	M1080370	GASKET OIL PIPE UNION	1
				7	M1010090	PIN CYL HEAD COVER KNOCK	2
				8	M1080990	TENSIONER CAM CHAIN	1
				9	M1080510	BOLT CAM CHAIN TENSIONER	1
				10	M7010270	VALVE INTAKE	1
				11	M7010280	VALVE EXHAUST	1
				12	N3011280	SPRING VALVE INNER	2
				13	M1010580	SPRING VALVE OUTER	2
				14	N2011040	RETAINER VALVE SPRING	2
				15	S1010320	COTTER VALVE	4
				16	M1010610	SEAT VALVE SPRING	2
				17	M1010620	SEAL VALVE STEM OIL	2
				18	R1011000	ARM VALVE ROCKER ASSY	2
				19	S1010240	SCREW TAPPET ADJUSTING	2
				20	S1010250	NUT TAPPET ADJUSTING	2
				21	M7011510	SHAFT VALVE ROCKER ARM	2
				22	M7010800	CAMSHAFT COMP	1
				23	M1200010	HEX FLANGE BOLT M6x55	4
				24	M7011110	DAMPER 1	1
				25	M7011120	DAMPER 2	2
				26	M7011130	DAMPER 3	2
				27	M7010910	PLUG CYL HEAD	1
22	N9020150	RING SET STD	RTR180	1	M7020300	RING PISTON 1st STD	1
				2	M7020310	RING PISTON 2nd STD	1
				3	M7020320	RING PISTON OIL SET STD	1
23	N9323030	RING SET I O/S	RTR180	1	M7321740	RING PISTON 1st I O/S	1
				2	M7321760	RING PISTON 2nd I O/S	1
				3	M7321780	RING PISTON OIL SET I O/S	1
24	N9323040	RING SET II O/S	RTR180	1	M7321750	RING PISTON 1st II O/S	1
				2	M7321770	RING PISTON 2nd II O/S	1
				3	M7321790	RING PISTON OIL SET II O/S	1

APACHE RTR 180 KIT & KIT CONTENTS

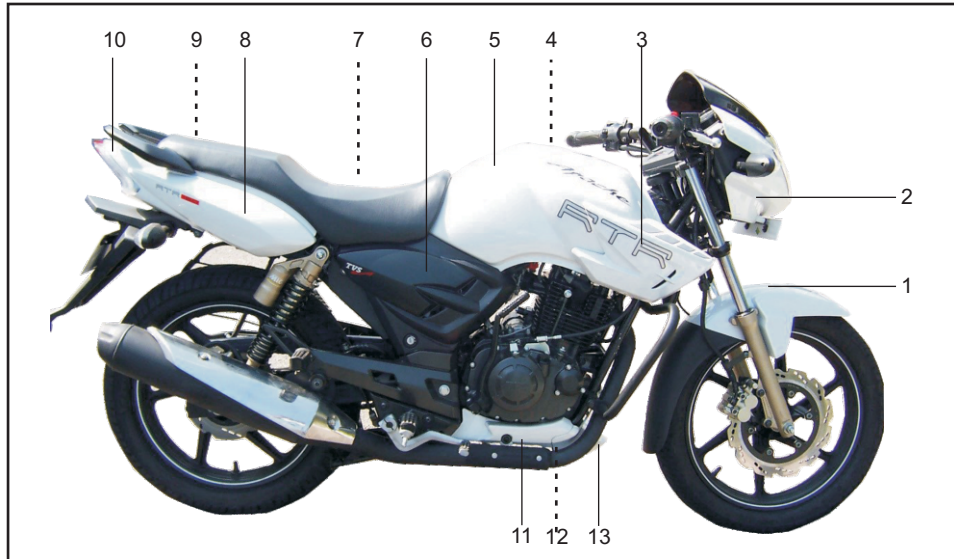
S. No.	KIT PART NO.	KIT DESCRIPTION	MODEL	KIT CONTENTS			
				S. NO.	PART NO.	DESCRIPTION	QTY
25	N9020140	PISTON KIT STD	RTR 180	1	M7020280	PISTON STD	1
				2	N9020150	RING SET PISTON STD	1
				3	M7020370	PISTON PIN	1
				4	M1010440	CIRCLIP 17X1.0	2
26	N9323010	PISTON KIT I O/S	RTR 180	1	M7321720	PISTON I O/S	1
				2	N9323030	RING SET PISTON I O/S	1
				3	M7020370	PISTON PIN	1
				4	M1010440	CIRCLIP 17X1.0	2
27	N9323020	PISTON KIT II O/S	RTR 180	1	M7321730	PISTON II O/S	1
				2	N9323040	RING SET PISTON II O/S	1
				3	M7020370	PISTON PIN	1
				4	M1010440	CIRCLIP 17x1.0 PISTON PIN	2
28	N9323000	CYLINDER BLOCK & PISTON KIT	RTR 180	1	M7011310	CYLINDER COMPLETE	1
				2	M7020280	PISTON STD	1
				3	N9020150	RING SET PISTON STD	1
				4	M7020370	PIN PISTON	1
				5	M1010440	CIRCLIP 17x1.0 PISTON PIN	2
				6	M7010210	GASKET CYLINDER HEAD	1
				7	M1010660	GASKET CYLINDER	1
29	M7322010	ENGINE VALVE KIT	RTR 180	1	S1010320	COTTER VALVE	4
				2	N2011040	RETAINER VALVE SPRING	2
				3	N3011280	SPRING VALVE INNER	2
				4	M1010580	SPRING VALVE OUTER	2
				5	M1010610	SEAT VALVE SPRING	2
				6	M1010620	SEAL VALVE STEM OIL	2
				7	M7010270	VALVE INTAKE	1
				8	M7010280	VALVE EXHAUST	1
30	M7321580	OIL SEAL KIT	RTR 180	1	N2081720	OIL SEAL	1
				2	M1200340	OIL SEAL 10 X 17 X 5	1
				3	N2200550	OIL SEAL 12 X 2 X 17	1
				4	M7200250	OIL SEAL 27 X 40 X 6	1
31	M1320340	O RING KIT ENGINE	RTR 180	1	M1080600	O' RING CAP OIL FILTER	1
				2	M1080400	O' RING GAUGE OIL LEVEL	1
				3	N2081690	O' RING PLUG C.S.HOLE	1
				4	M1080610	O' RING OIL STRAINER	1
				5	M1080590	O' RING OIL FILTER	1

APACHE RTR 180 KIT & KIT CONTENTS

S. No.	KIT PART NO.	KIT DESCRIPTION	MODEL	KIT CONTENTS			
				S. NO.	PART NO.	DESCRIPTION	QTY
32	M7321460	MAJOR KIT - CARBURETTOR	RTR 180	1	M7321310	JET HOLDER	1
				2	M1040810	O RING JET HOLDER	1
				3	M7321290	JET NEEDLE	1
				4	M1040250	E RING, JET NEEDLE	1
				5	M1040270	NEEDLE VALVE ASSY	1
				6	M1040390	GUIDE HOLDER ASSY.	1
				7	M1040380	SPRING STARTER	1
				8	M1040370	PLUNGER STARTER	1
				9	M1040870	O RING STARTER	1
33	N9323050	CHAIN & SPROCKET KIT	RTR 180	1	N9112830	DRIVE CHAIN WITH O RING	1
				2	N9080250	SPROCKET ENGINE 14T	1
				3	N9112570	SPROCKET REAR 46	1
				4	1181160	WASHER REAR SPROCKET	2
34	N8320070	STEERING CONE KIT	RTR 180	1	420404000	3/16 BALLS	22
				2	S1101150	RACE STEERING OUTER	1
				3	S1125290	RACE STEERING INNER	1
				4	K3200450	STEERING BALL LOWER (dia 6.35)	19
				5	N8120910	CONE BOTTOM	1
				6	K3100590	CUP BOTTOM	1
35	N9321940	KIT PROP STAND	RTR 180	1	N9124640	PROP STAND	1
				2	N9200210	BOLT PROP STAND	1
				3	K200690	HEX NUT	1
				4	N5121610	SPRING CENTER STAND	1
36	M7322050	CRANK CASE ASSY RH	RTR 180	1	M70300907D	CRANKCASE COMP RH	1
				2	M1080360	UNION BREATHER	1
37	M7321890	SET PLATE CLUTCH DRIVE	RTR 180	1	N3070010	PLATE CLUTCH DRIVE	5
38	M7321900	SET PLATE CLUTCH DRIVEN		1	N3070020	PLATE CLUTCH DRIVEN	4
39	M7321880	KIT CLUTCH CABLE	RTR 180	1	M7321710	CABLE CLUTCH	1
				2	M7321700	ROD CLUTCH RELEASE	1
				3	N9200280	CLIP CABLE	1
40	M7322040	SPRING CLUTCH KIT	RTR 180	1	M7070440	SPRING CLUTCH	4
41	N9113780	BRAKE PAD COMP RR ABS	RTR 180	1		PAD COMP. INNER	1
				2		PAD COMP. OUTER	1
42	N9324440	KIT CARRIER ASSY MAJOR RR ABS	RTR 180	1		PIN BOLT A	1
				2		PIN BOLT B	1
				3		BRKT COMP. REAR	1

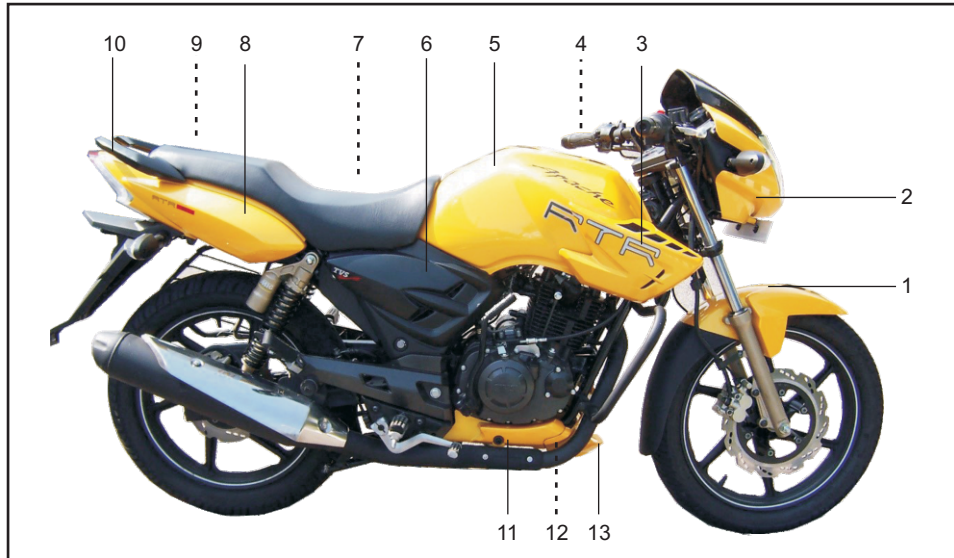
TVS APACHE RTR 180 PAINTED PARTS

PEARL WHITE



S.No.	PART NO	DESCRIPTION
1	N92201602F	FENDER FRONT P.WHITE
2	N92202392F	HOUSING HEADLAMP FRONT P.WHITE
3	N92218402F	COVER FUEL TANK RH P.WHITE
4	N92218302F	COVER FUEL TANK LH P.WHITE
5	N91410602F	TANK COMP FUEL P.WHITE
6	N92202609D	COVER FRAME RH P.WHITE
7	N92202709D	COVER FRAME LH P.WHITE
8	N92201402F	COVER SEAT TAIL RH P.WHITE
9	N92201302F	COVER SEAT TAIL LH P.WHITE
10	N92201502F	COVER SEAT TAIL CENTER P.WHITE
11	N92213992F	ENGINE GUARD RH P.WHITE
12	N92213792F	ENGINE GUARD LH P.WHITE
13	N92213892F	ENGINE GUARD CENTER P.WHITE
14	N9215540	TAPESET PEARL P.WHITE

PEARL YELLOW

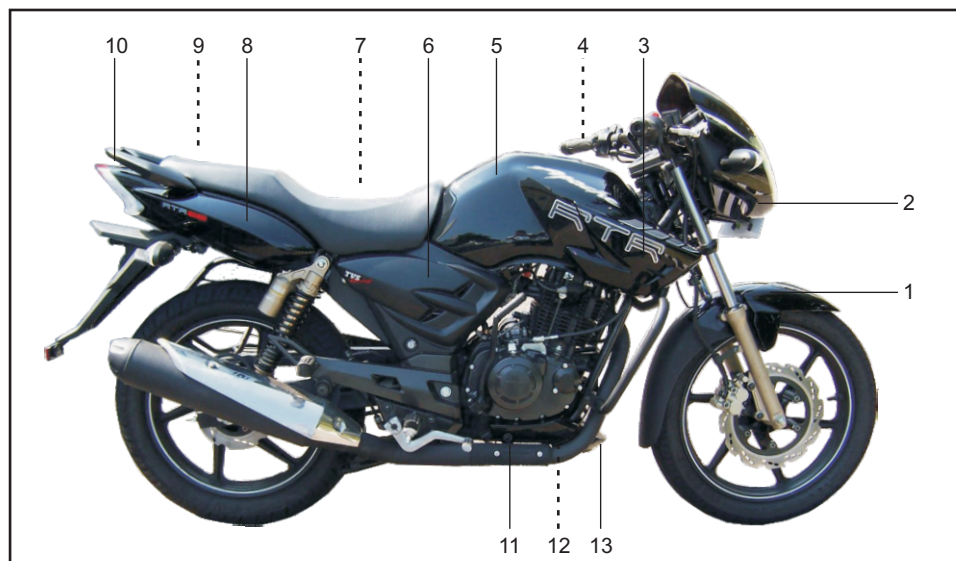


S.No.	PART NO	DESCRIPTION
1	N92201606RB	FENDER FRONT YELLOW
2	N92202396R	HOUSING HEADLAMP FRONT YELLOW
3	N92218406RB	COVER FUEL TANK RH YELLOW
4	N92218306RB	COVER FUEL TANK LH YELLOW
5	N91410606RA	TANK COMP FUEL YELLOW
6	N92202609D	COVER FRAME RH YELLOW
7	N92202709D	COVER FRAME LH YELLOW
8	N92201406RC	COVER SEAT TAIL RH YELLOW
9	N92201306RC	COVER SEAT TAIL LH YELLOW
10	N92201506RB	COVER SEAT TAIL CENTER YELLOW
11	N92213996R	ENGINE GUARD RH YELLOW
12	N92213796R	ENGINE GUARD LH YELLOW
13	N92213896R	ENGINE GUARD CENTER YELLOW
14	N9215530	TAPESET PEARL YELLOW

'-----' LINE INDICATES LH SIDE

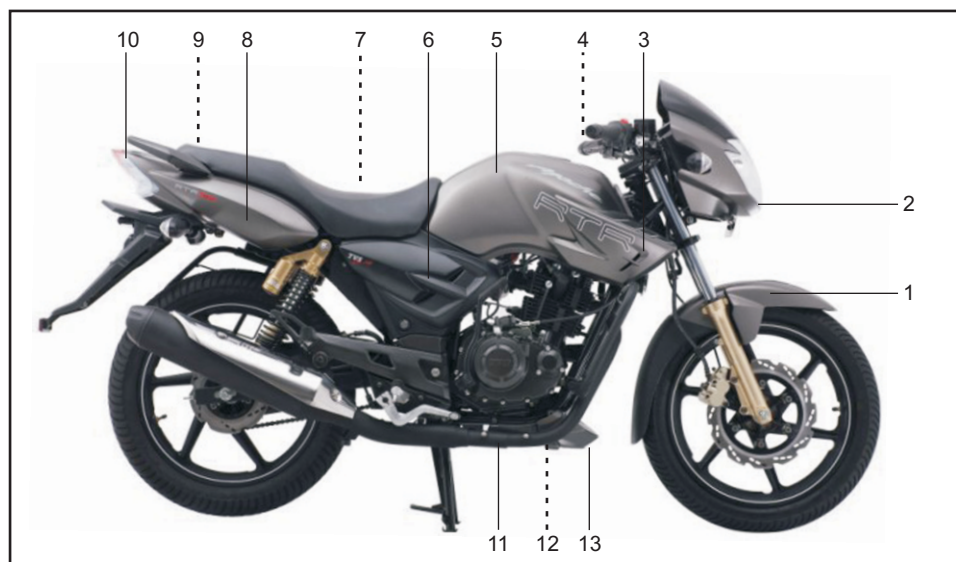
TVS APACHE RTR 180 PAINTED PARTS

HG BLACK



S.No.	PART NO	DESCRIPTION
1	N92201600DC	FENDER FRONT BLACK
2	N92202390D	HOUSING HEADLAMP FRONT BLACK
3	N92218400DA	COVER FUEL TANK RH BLACK
4	N92218300DA	COVER FUEL TANK LH BLACK
5	N91410600DA	TANK COMP FUEL BLACK
6	N92202609D	COVER FRAME RH BLACK
7	N92202709D	COVER FRAME LH BLACK
8	N92201400DC	COVER SEAT TAIL RH BLACK
9	N92201300DC	COVER SEAT TAIL LH BLACK
10	N92201500DB	COVER SEAT TAIL CENTER BLACK
11	N92213990D	ENGINE GUARD RH BLACK
12	N92213790D	ENGINE GUARD LH BLACK
13	N92213890D	ENGINE GUARD CENTER BLACK
14	N9215560	TAPESET BLACK

T. GREY

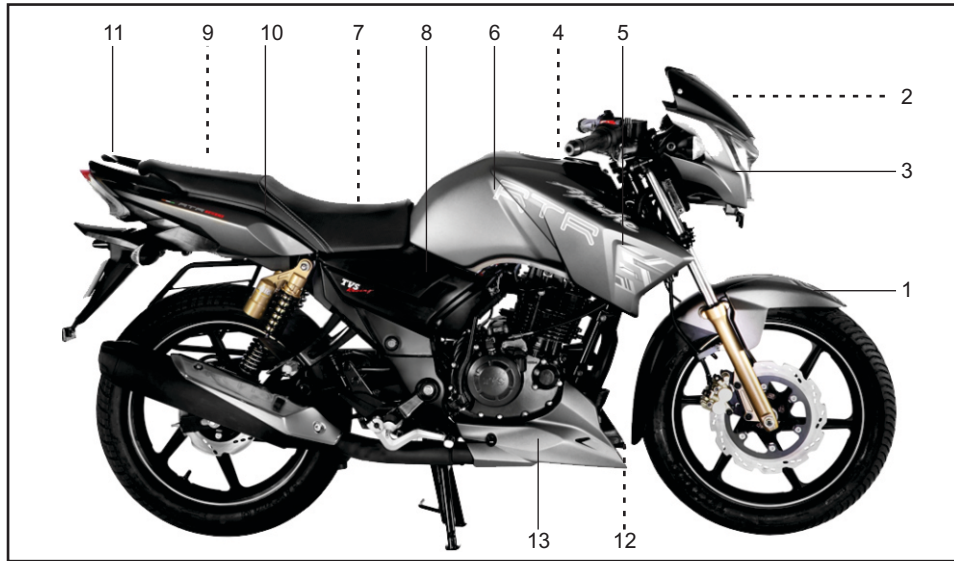


S.No.	PART NO	DESCRIPTION
1	N92201608DC	FENDER FRONT T.GREY
2	N92202398D	HOUSING HEADLAMP FRONT T.GREY
3	N92218408DA	COVER FUEL TANK RH T.GREY
4	N92218308DA	COVER FUEL TANK LH T.GREY
5	N91410608DA	TANK COMP FUEL T.GREY
6	N92202609D	COVER FRAME RH T.GREY
7	N92202709D	COVER FRAME LH T.GREY
8	N92201408DC	COVER SEAT TAIL RH T.GREY
9	N92201308DC	COVER SEAT TAIL LH T.GREY
10	N92201508DC	COVER SEAT TAIL CENTER T.GREY
11	N92213998D	ENGINE GUARD RH T.GREY
12	N92213798D	ENGINE GUARD LH T.GREY
13	N92213898D	ENGINE GUARD CENTER T.GREY
14	N9215550	TAPESET T.GREY

'-----' LINE INDICATES LH SIDE

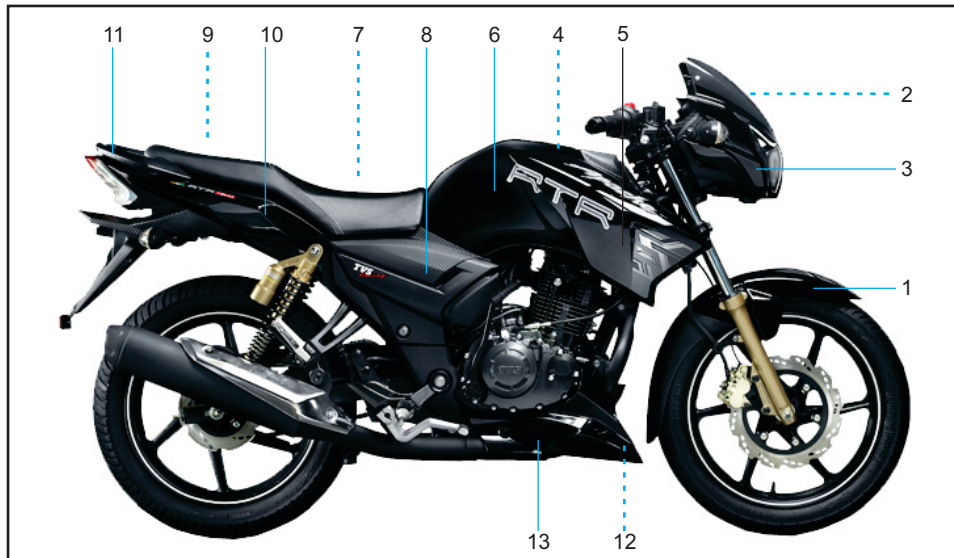
TVS APACHE RTR 180 REFRESH PAINTED PARTS

TITANIUM GREY



S.No.	PART NO	DESCRIPTION
1	N92201608DE	FENDER FRONT T.GREY
2	N92228398D	HOUSING HEADLAMP FRONT LH T.GREY
3	N92228098D	HOUSING HEADLAMP FRONT RH T.GREY
4	N92228808D	COVER FUEL TANK LH T.GREY
5	N92229008D	COVER FUEL TANK RH T.GREY
6	N91411908D	FUEL TANK COMP T.GREY
7	N9222860	COVER FRAME LH T.GREY
8	N9222870	COVER FRAME RH T.GREY
9	N92222708D	TAIL COVER LH T.GREY
10	N92222808D	TAIL COVER RH T.GREY
11	N92222908D	TAIL COVER CENTER T.GREY
12	N92227598D	ENGINE GUARD L
13	N92227608D	ENGINE GUARD R
14	N9224120	TAPESET T.GREY

BLACK

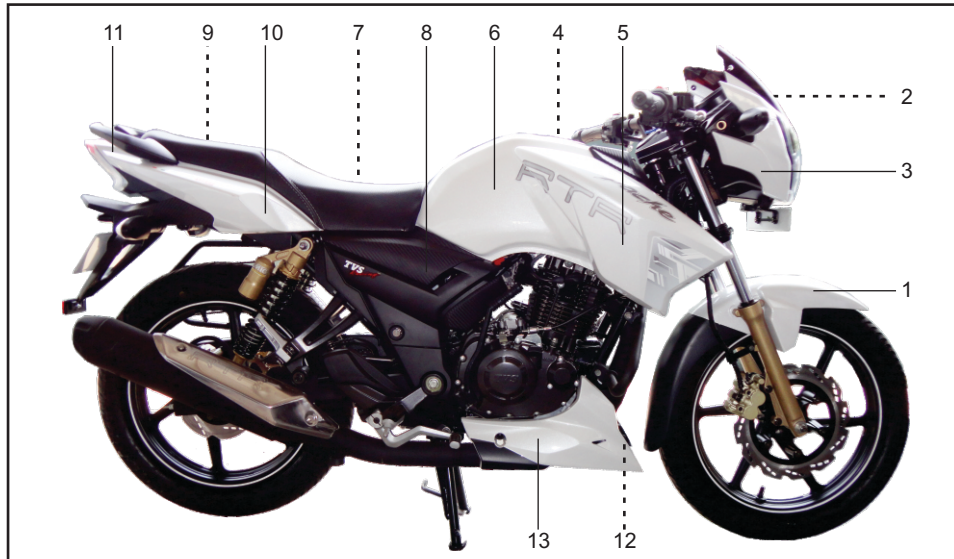


S.No.	PART NO	DESCRIPTION
1	N92201600DE	FENDER FRONT BLACK
2	N92228390D	HOUSING HEADLAMP FRONT LH BLACK
3	N92228090D	HOUSING HEADLAMP FRONT RH BLACK
4	N92228800DA	COVER FUEL TANK LH BLACK
5	N92229000DA	COVER FUEL TANK RH BLACK
6	N91411900D	FUEL TANK COMP BLACK
7	N9222860	COVER FRAME LH BLACK
8	N9222870	COVER FRAME RH BLACK
9	N92222700D	TAIL COVER LH BLACK
10	N92222800D	TAIL COVER RH BLACK
11	N92222900D	TAIL COVER CENTER BLACK
12	N92227590D	ENGINE GUARD L
13	N922276J0D	ENGINE GUARD R
14	N9223980	TAPESET BLACK

'-----' LINE INDICATES LH SIDE

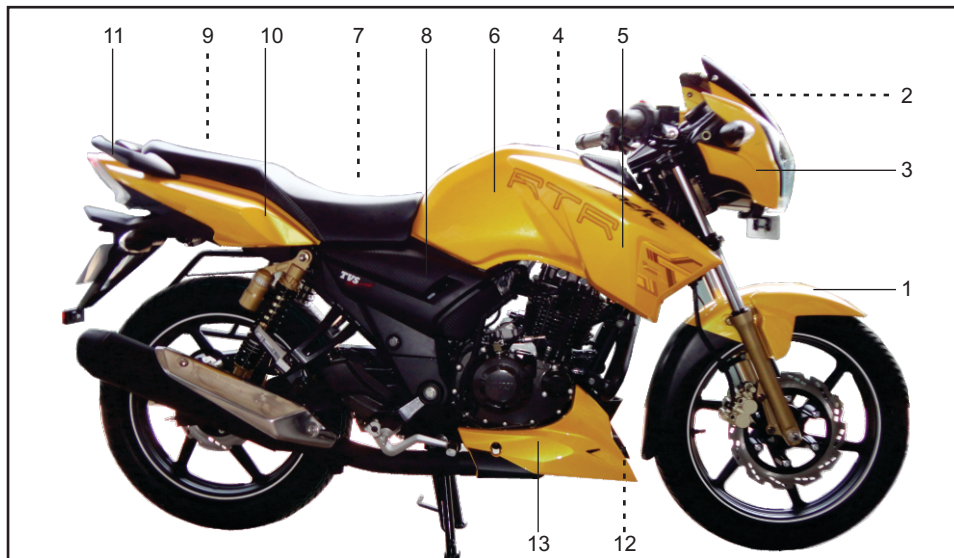
TVS APACHE RTR 180 REFRESH PAINTED PARTS

PEARL WHITE



S.No.	PART NO	DESCRIPTION
1	N92201602FC	FENDER FRONT P.WHITE
2	N92228392F	HOUSING HEADLAMP FRONT LH P.WHITE
3	N92228092F	HOUSING HEADLAMP FRONT RH P.WHITE
4	N92228802FA	COVER FUEL TANK LH P.WHITE
5	N92229002FA	COVER FUEL TANK RH P.WHITE
6	N91411902F	FUEL TANK COMP P.WHITE
7	N9222860	COVER FRAME LH P.WHITE
8	N9222870	COVER FRAME RH P.WHITE
9	N92222702F	TAIL COVER LH P.WHITE
10	N92222802F	TAIL COVER RH P.WHITE
11	N92222902F	TAIL COVER CENTER P.WHITE
12	N92227592F	ENGINE GUARD L
13	N92227602F	ENGINE GUARD R
14	N9223860	TAPESET P.WHITE

PEARL YELLOW

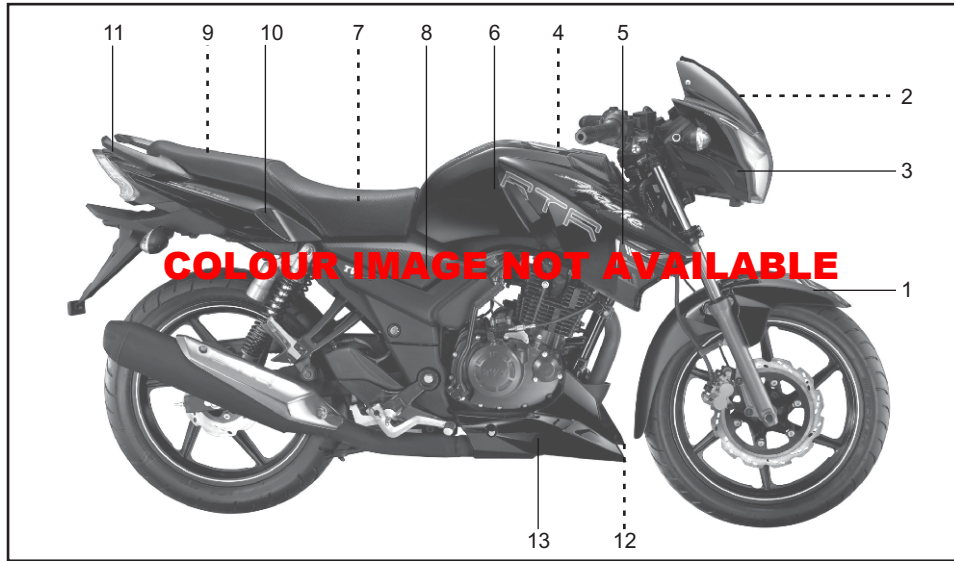


S.No.	PART NO	DESCRIPTION
1	N92201606RD	FENDER FRONT P.YELLOW
2	N92228396R	HOUSING HEADLAMP FRONT LH P.YELLOW
3	N92228096R	HOUSING HEADLAMP FRONT RH P.YELLOW
4	N92228806R	COVER FUEL TANK LH P.YELLOW
5	N92229006R	COVER FUEL TANK RH P.YELLOW
6	N91411906R	FUEL TANK COMP P.YELLOW
7	N9222860	COVER FRAME LH P.YELLOW
8	N9222870	COVER FRAME RH P.YELLOW
9	N92222706R	TAIL COVER LH P.YELLOW
10	N92222806R	TAIL COVER RH P.YELLOW
11	N92222906R	TAIL COVER CENTER P.YELLOW
12	N92227596R	ENGINE GUARD L
13	N92227606R	ENGINE GUARD R
14	N9224260	TAPESET P.YELLOW

'-----' LINE INDICATES LH SIDE

TVS APACHE RTR 180 REFRESH PAINTED PARTS

RED



S.No.	PART NO	DESCRIPTION
1	N92201602HE	FENDER FRONT RED
2	N92228392H	HOUSING HEADLAMP FRONT LH RED
3	N92228092H	HOUSING HEADLAMP FRONT RH RED
4	N92228802HA	COVER FUEL TANK LH RED
5	N92229002HA	COVER FUEL TANK RH RED
6	N91411902H	FUEL TANK COMP RED
7	N9222860	COVER FRAME LH RED
8	N9222870	COVER FRAME RH RED
9	N92222702H	TAIL COVER LH RED
10	N92222802H	TAIL COVER RH RED
11	N92222902H	TAIL COVER CENTER RED
12	N92227592H	ENGINE GUARD L RED
13	N92227602HA	ENGINE GUARD R RED
14	N9223980	TAPESSET RED

'-----' LINE INDICATES LH SIDE



TVS MOTOR COMPANY **TVS** 

International Business

PB No. 4 , Harita, Hosur – 635 109, Tamil Nadu, India

Phone : +91 4344 276780 – 84