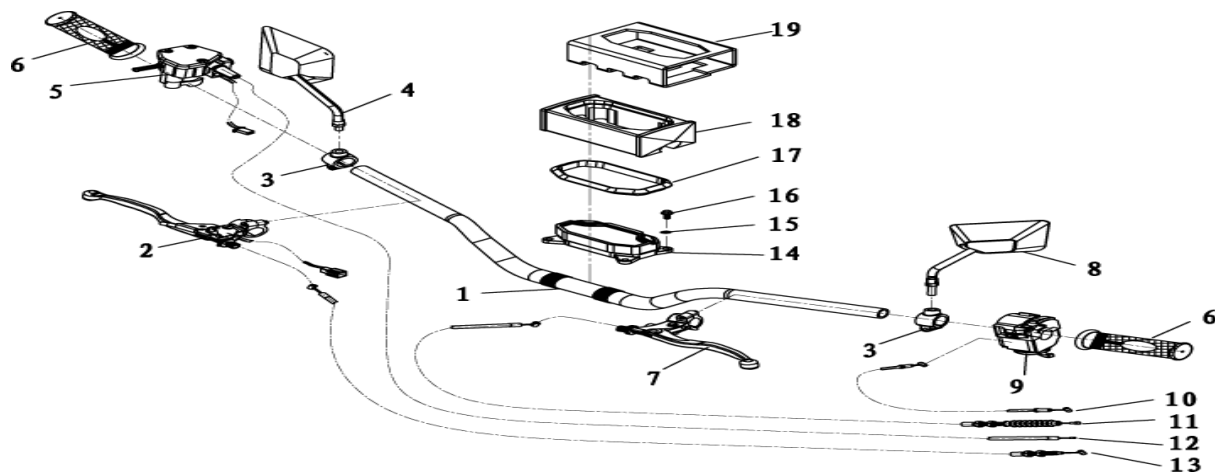


- 1 PLEASE CHOOSE THE BELOW INFORMATION OF YOUR ATV
- 2 PLEASE WRITE DOWN THE QUANTITY YOU WANT IN COLUMN "ORDER"
- 3 PLEASE WRITE DOWN IN COLUMN "REMARK" WHEN YOU THINK IT IS NECESSARY TO INFORM
- 4 PLEASE DON'TMAKE ANY CHANGE TO THE ORIGINAL INFORMATION IN THIS SHEET
- 5 PLEASE ALWAYS USE THIS SHEET TO ORDER PARTS AND SEND BACK TO US BY EMAIL

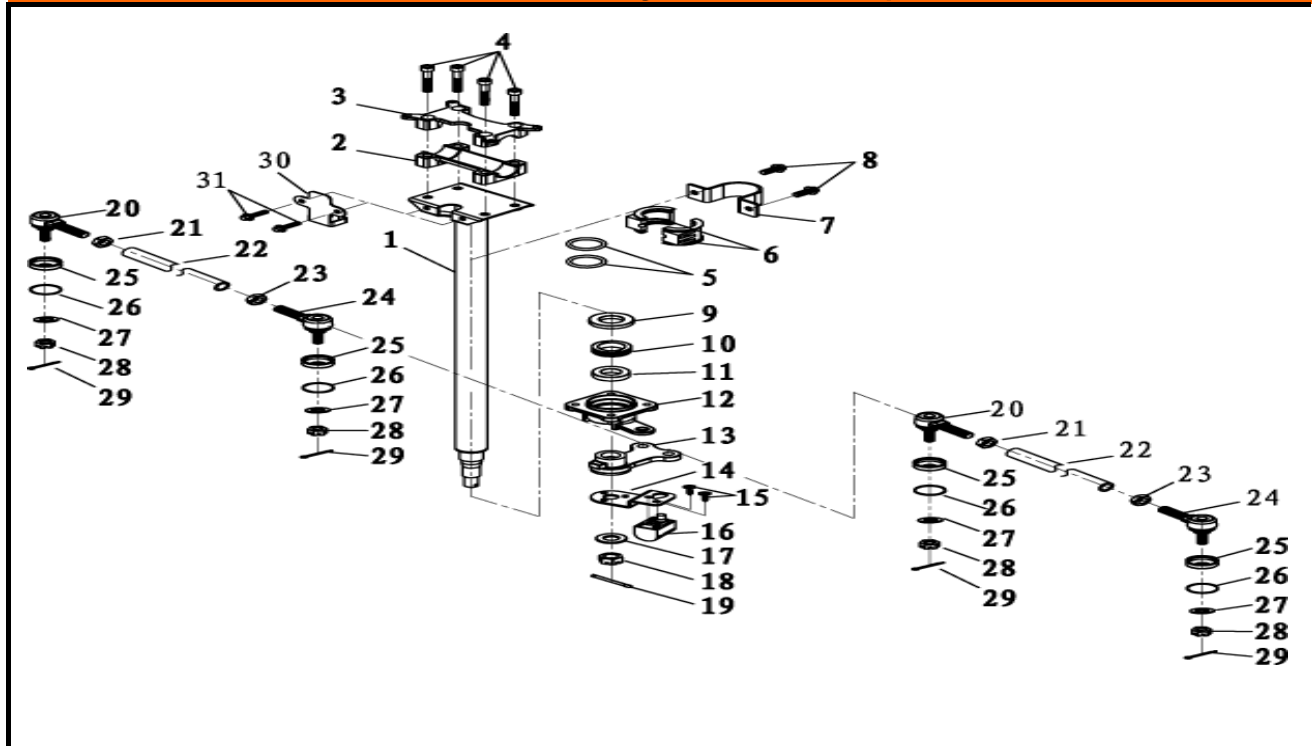


方向把组件/Handlebar Component



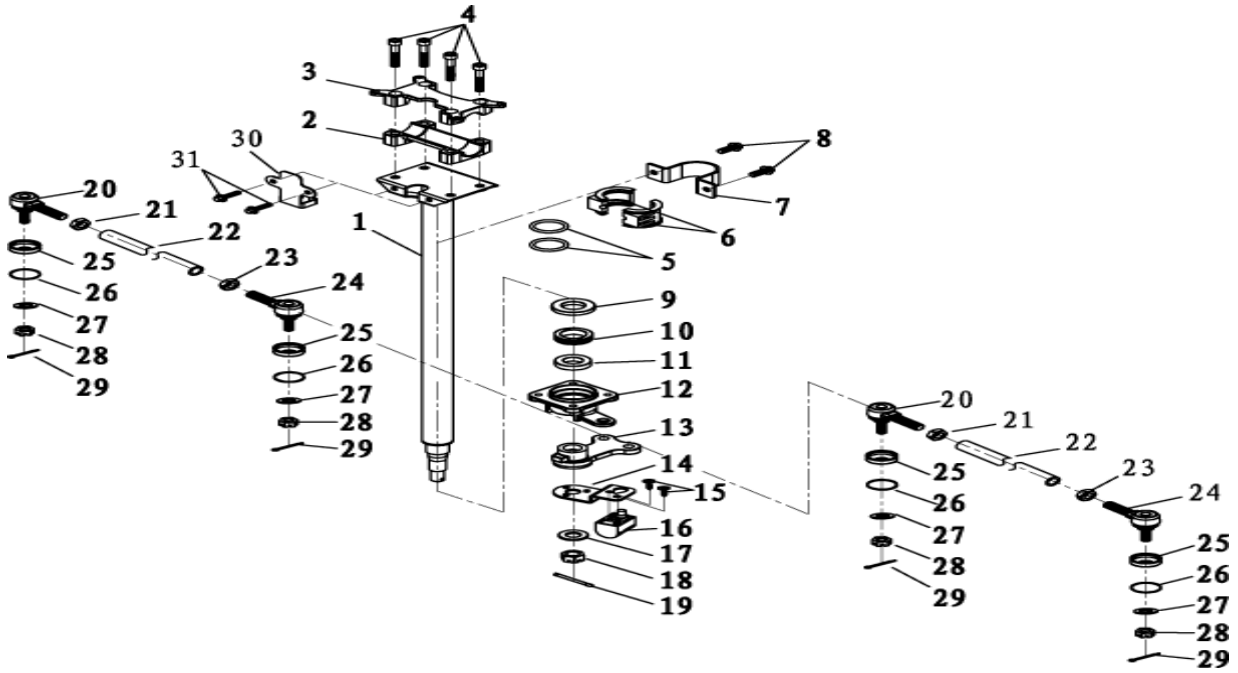
序号 S/N	零部件代号 Part No.	Description
1	2804-10010100A	handle pipe
2	2801-19010100A	steering handle
3	2801-21010100A	rear view mirror place
4	2804-21030100A	rear view mirror
5	2801-18010100A	gasoline throttle
6	2801-27010100A	handle bar cap
7	2801-10020100A	clutch bar
8	2804-21020100A	left rear view mirror
9	2801-16110100A	Combination switch
10	2808-17030100B	Throttle cable
11	2808-17040100B	clutch cable
12	2808-17010100B	oil cable
13	2810-17020100B	handle brake line
14	2809-28010100A	Instrument
15	2801-27030201A	rubber washer ϕ 6
16	A05-2009-	screws M6*16
17	2804-28010302A	instrument rubber cover
18	2804-28010301A	instrument sponge cover
19	2804-28010303A	Instrument cover

方向柱组件/Steering Column Component



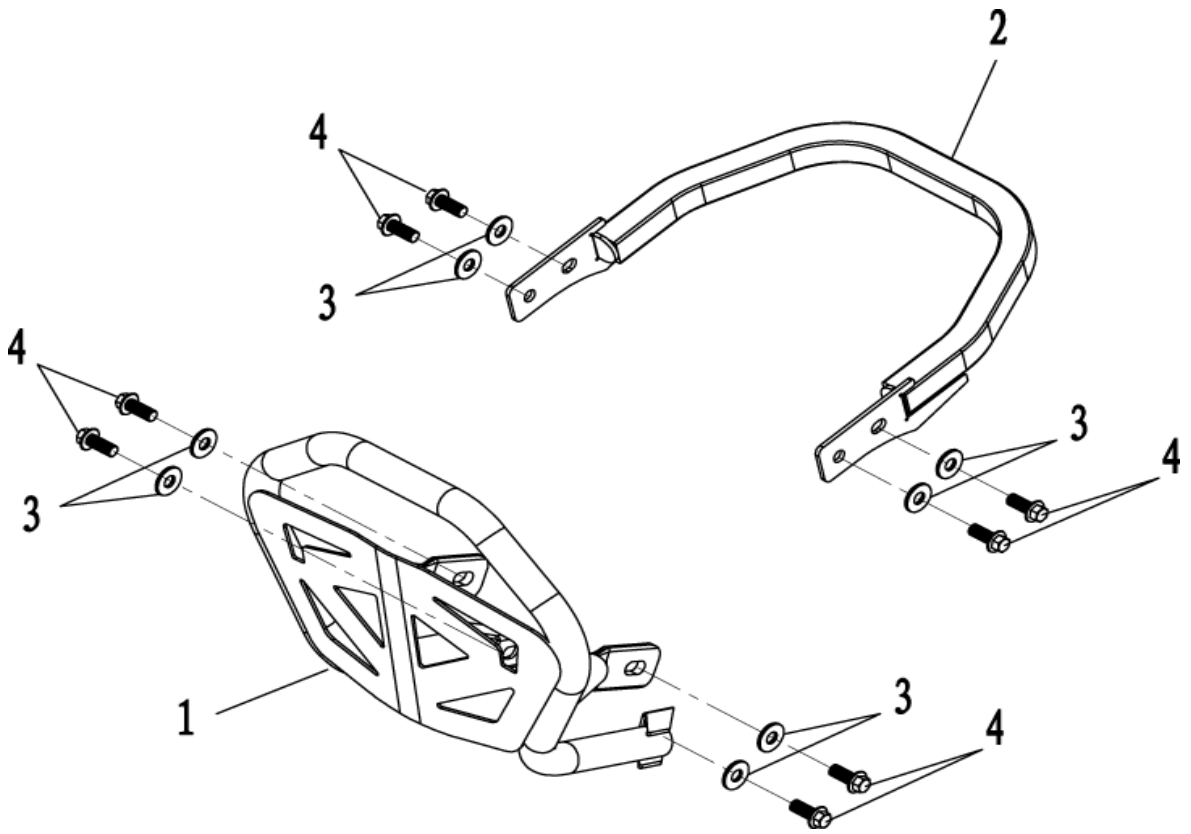
序号 S/N	零部件代号 Part No.	Description
1	2808-10040100B	STEERING COLUMN
2	2804-10030201A	the under block of handle pipe
3	2804-10030101A	the up block of handle pipe
4	A04-M08L050g	Bolt M8*P1.25*50
5	A23-D032L3d5	O-ring
6	2804-10050101A	steering column clamping block
7	2804-10050201A	steering column hoop
8	A02-M08L016g	Bolt M8*P1.25*16
9	A22-D044L008	oil seal
10	2801-10050601A	steering column locknut
11	A24-00006904	bearing 6904
12	2801-10050301A	steering column foundation
13	2801-10050401A	steering column fork
14	2801-10050701A	steering lock fixing plate
15	A03-M006L12c	screw M6*12

方向柱组件/Steering Column Component



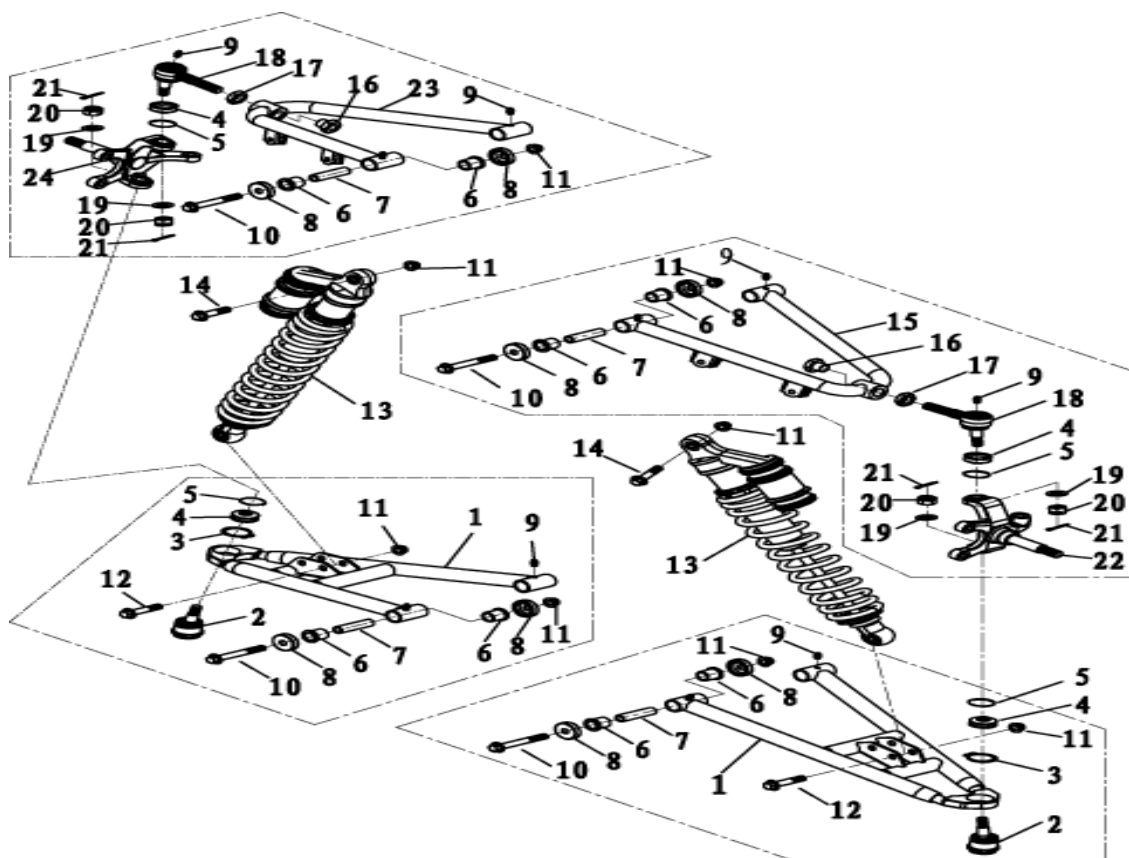
序号 S/N	零部件代号 Part No.	Description
16	2801-16070100A	steering lock
17	A14-00000015	spring washer
18	A07-M0000014	Nut M14*1.5*14.1
19	A19-D03dL040	split pin ϕ 3*40
20	2804-10060101A	turning ball (left thread)M12
21	A08-M0000012L	Hexagon nut M12L (left thread)
22	2804-10060102A	steering rod 350mm
23	A08-M0000012	Hexagon nut M12L (right thread)
24	2804-10060103A	turning ball (right thread)
25	2804-10060104A	Dustproof rubber cover
26	2804-10060105A	round steel wire
27	A14-00000010	spring washer
28	A07-M0000010	Nut M10
29	A19-D2d5L025	split pin
30	2808-10050201B	steering cloumn line plate
31	A05-M06L016g	screw M6*12 M6*16

保险杠、后扶手组件 Front Bumper and Back Armrest Parts



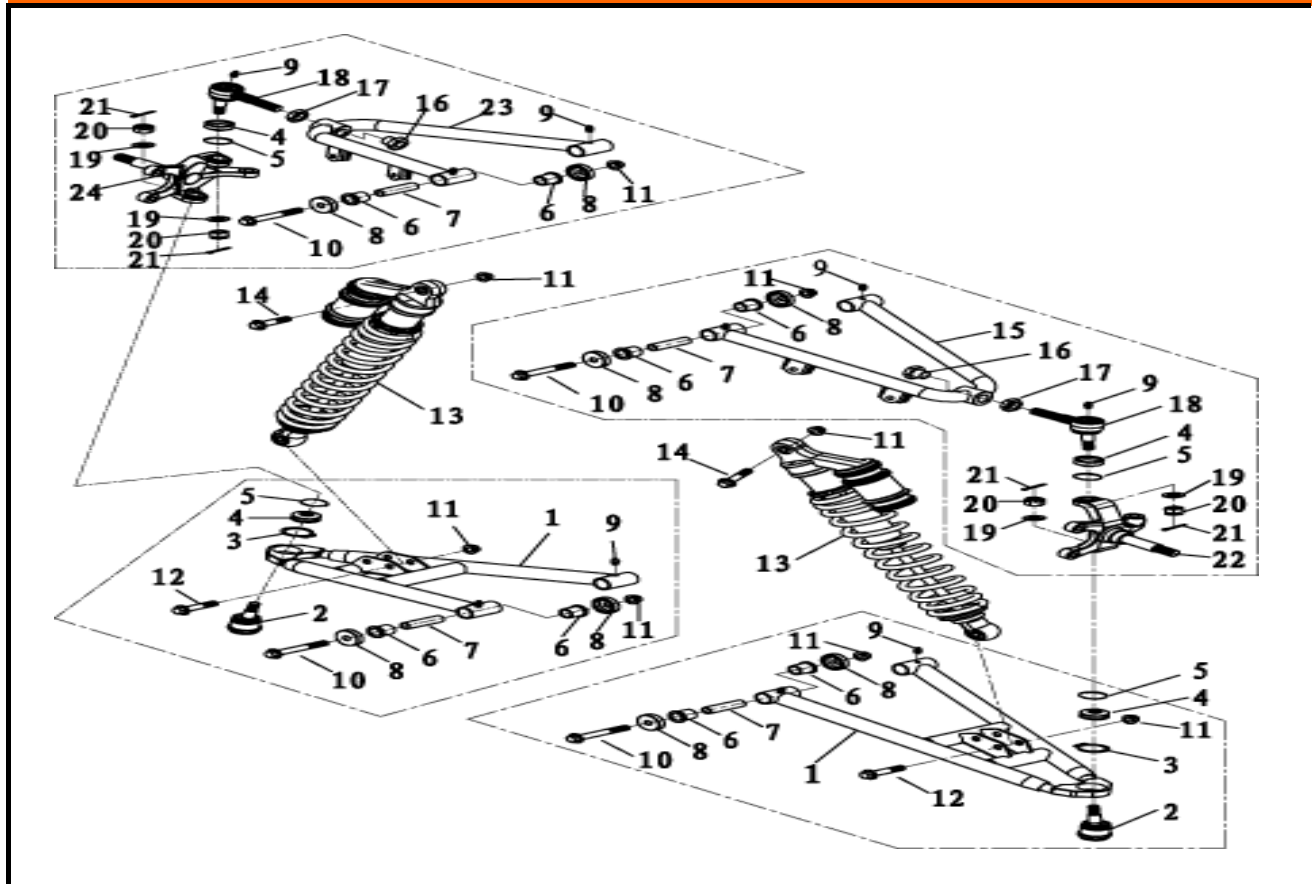
序号 S/N	零部件代号 Part No.	Description
1	2808-22010100B	FRONT BUMPER
2	2808-22030100B	back armrest
3	A12-00000008	flat washer ϕ 8.5* ϕ 16*T1.5
4	A02-M08L016g	nut M8*P1.25*16

前悬挂组件 front suspension arm parts



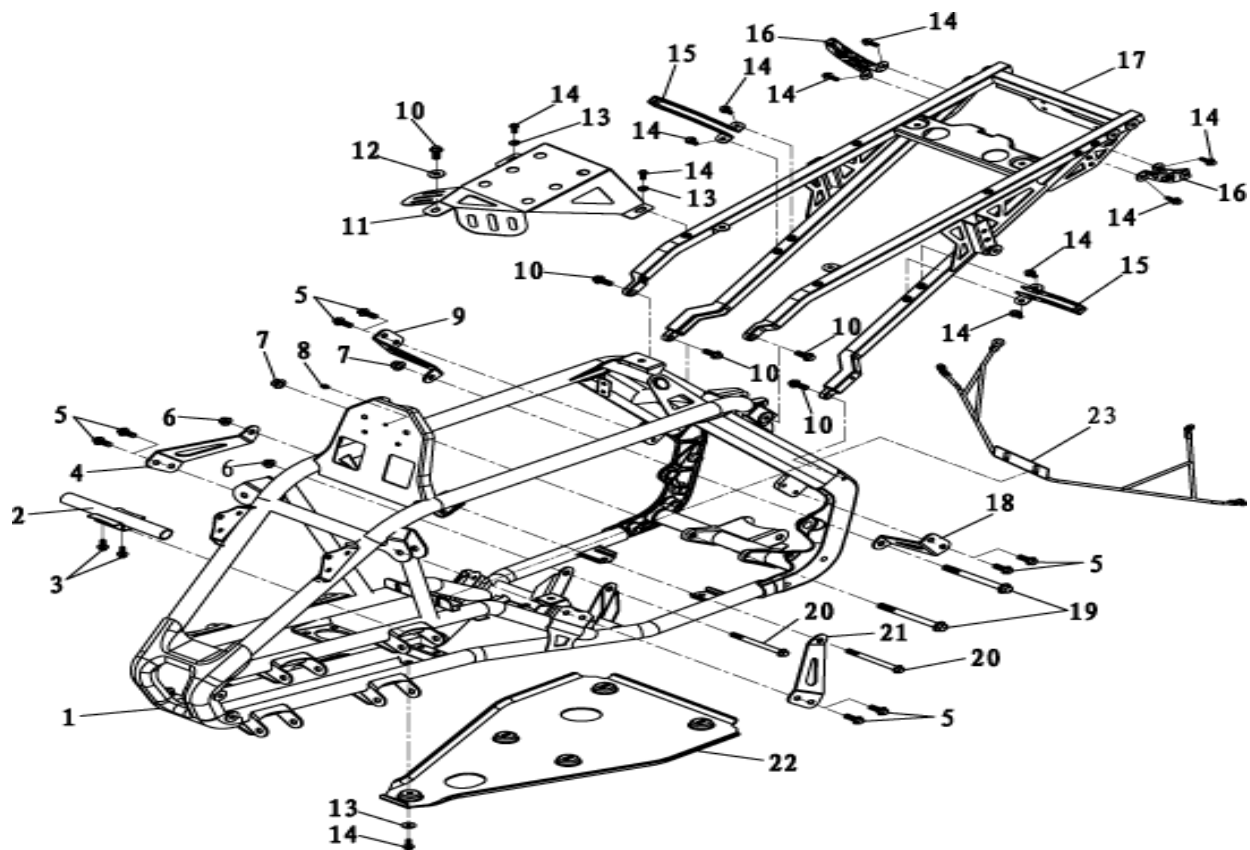
序号 S/N	零部件代号 Part No.	Description
1	2804-08020100A	SWING ARM UPPER
2	2801-08020201A	low suspension arm ball
3	A17-00000030	A-external circlips
4	2804-10060104A	dustproof cover
5	2804-10060105A	round steel wire
6	2801-08030201A	suspension arm nylon cap
7	2801-08030301A	suspension arm inner liner tube
8	2801-08030401A	suspension arm dustproof cover
9	2801-08030101A	grease nipple
10	A02-M10L078g	bolt M10*P1.25*78
11	A09-M0000010	hexagon flange locknut
12	A02-M10L050g	bolt M10*P1.25*50

前悬挂组件 front suspension arm parts



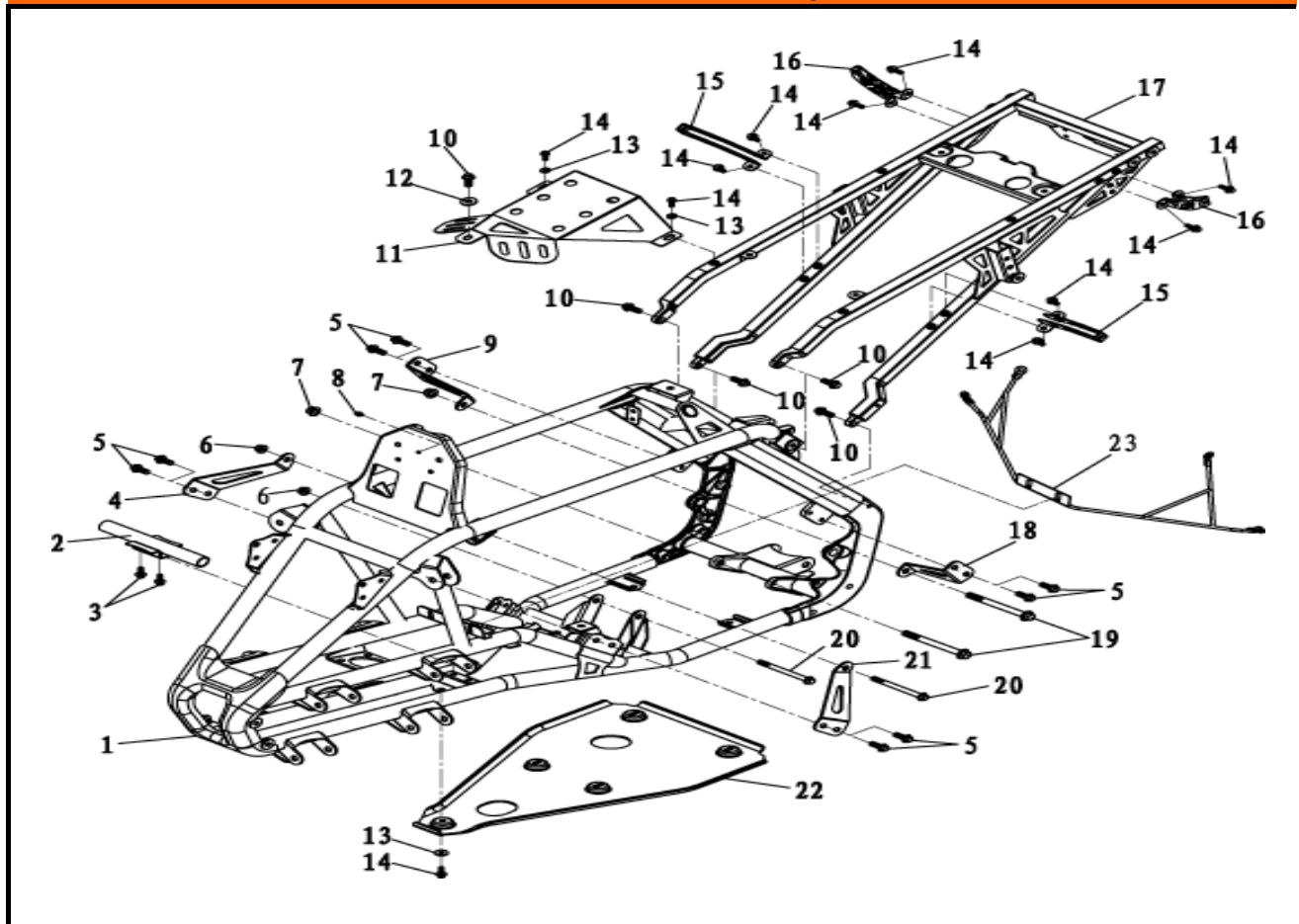
序号 S/N	零部件代号 Part No.	Description
13	2809-14020100A	front air shock absorber
14	A02-M10L045g	bolt M10*P1.25*45
15	2808-08010100A	front upper suspension/left
16	2801-08010201A	ball joint nut M14
17	A08-M0000016	hexagon nut M16
18	2801-08010202A	ball joint upper
19	A12-00000012	flat washer ϕ 12.2* ϕ 24*T2
20	A07-M0000012	nut ϕ 2.5*30
21	A19-D2d5L030	split pin
22	2801-10070100A	left steering knuckle
23	2808-08010301A	front upper suspension, right
24	2801-10070200A	right steering knuckle

车架总成组件 Frame Component



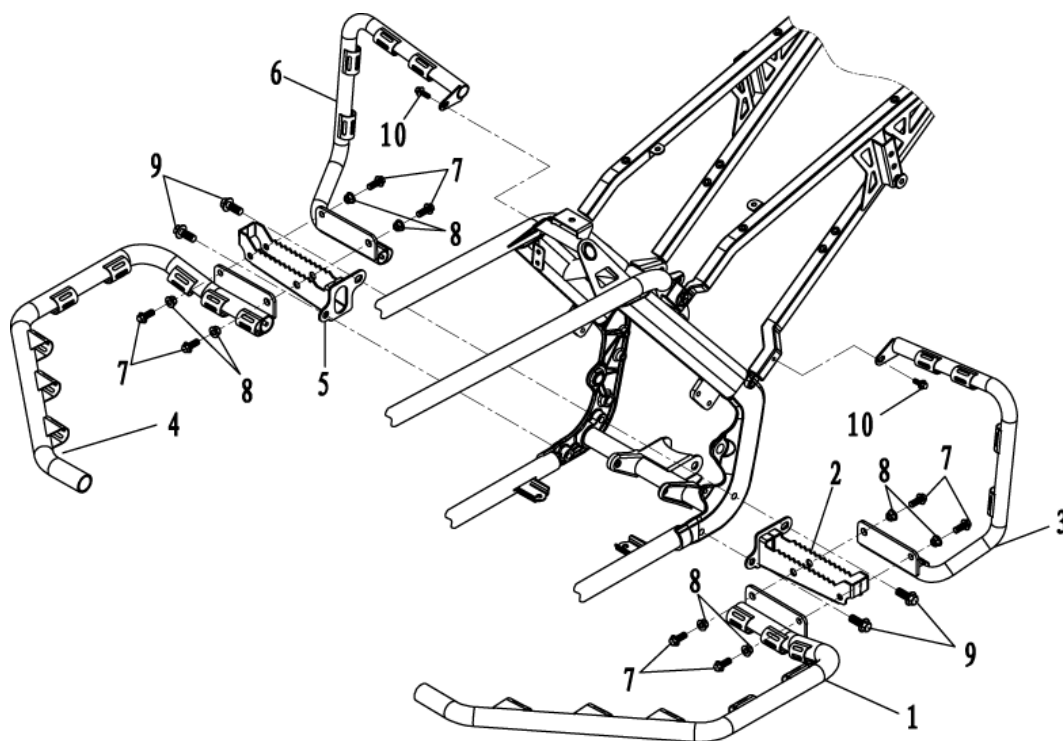
序号 S/N	零部件代号 Part No.	Description
1	2808-02010100B	FRAME
2	2804-22060201A	tube of foot rest net
3	A02-M06L016g	Bolt M6*16
4	2808-22050103B	front right fixed plate of motor
5	A02-M08L020g	Bolt M8*P1.25*20
6	A09-M0000008	hexagon flange locknut
7	A09-M0000010	hexagon flange locknut
8	2801-08030101A	grease nipple
9	2804-22050101A	rear right fixed plate of motor
10	A02-M08L025g	bolt M8*P1.25*25
11	2808-22050103B	strengthen plate of seat
12	A12-00000008	flat washer $\phi 8.5 \times \phi 16 \times T1.5$

车架总成组件 Frame Component



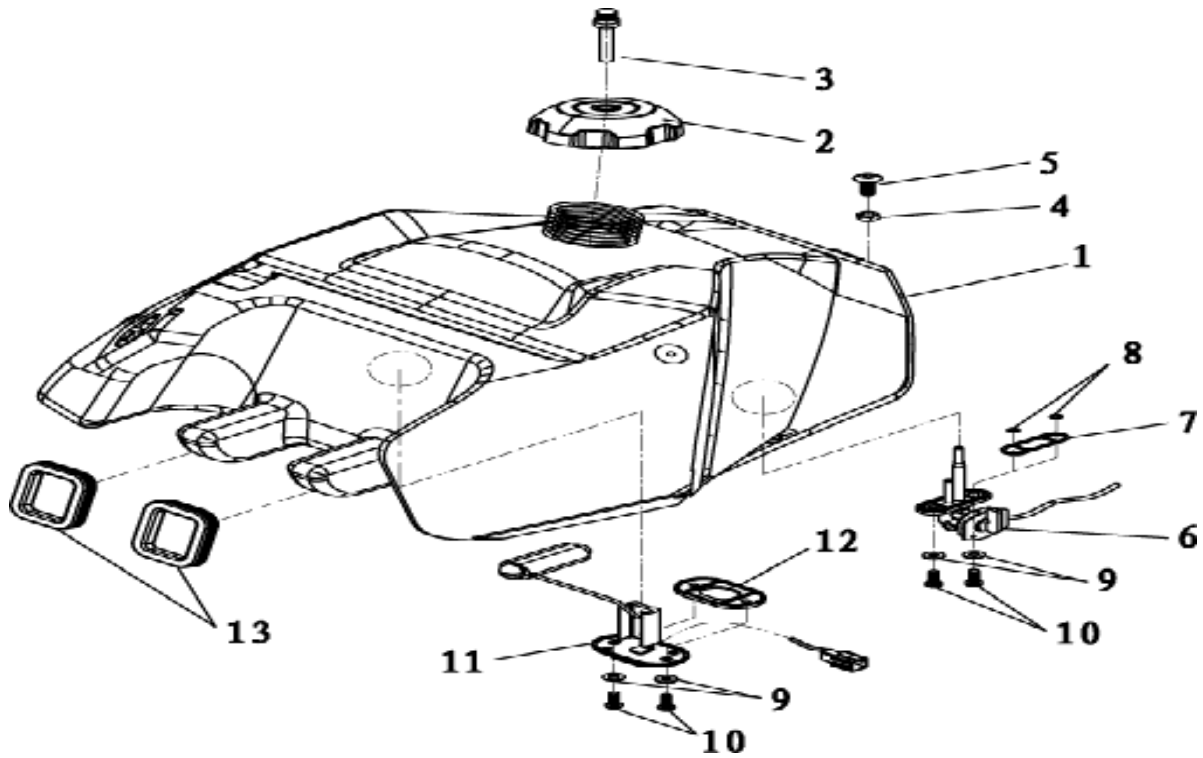
序号 S/N	零部件代号 Part No.	Description
13	A12-00000006	flat washer $\phi 6.5 * \phi 12 * T1.5$
14	A02-M06L016g	bolt M6*16
15	2808-22050102B	plastic cover supporter 1
16	2808-22050103B	plastic cover supporter 2
17	2808-02020100B	rear carrier
18	2804-22050102A	rear left fixed blade of motor
19	A02-M10L110g	bolt M10*P1.25*110
20	A02-M08L090g	bolt M8*P1.25*90
21	2808-22050104B	front left fixed plate of motor
22	2801-25010105A	plastic base plate
23	2808-22050101B	front kuppe cover supporter

脚蹬、脚网组件 foot pedal and foot net component



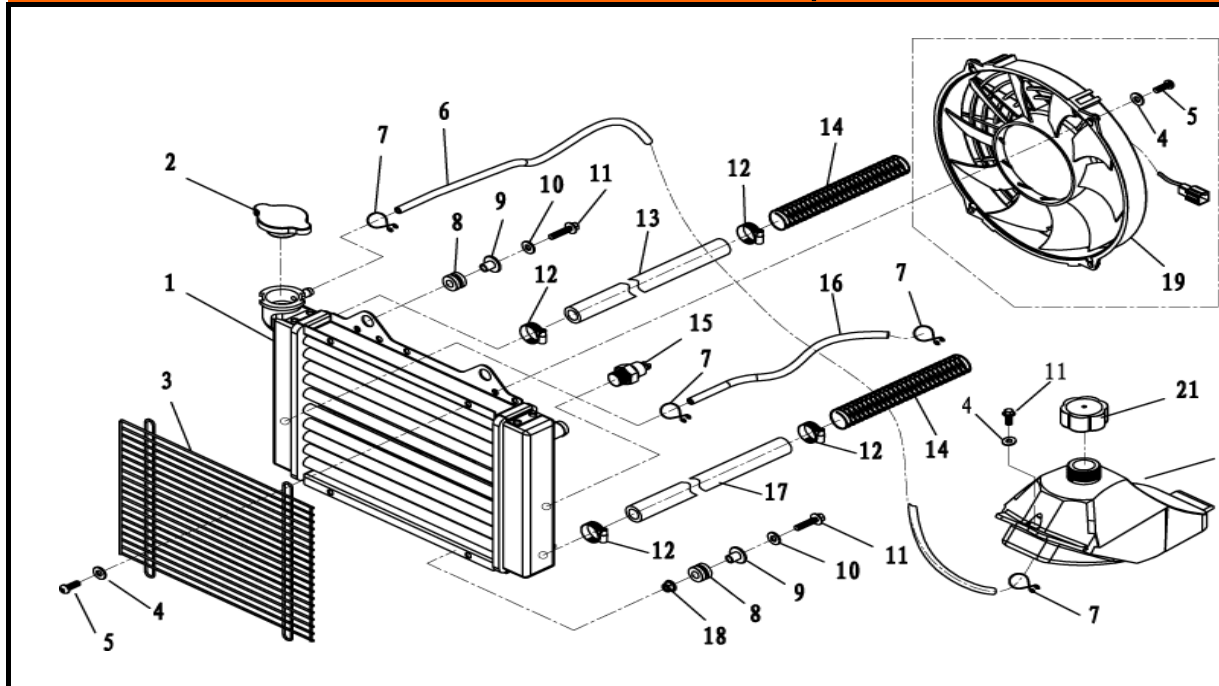
序号 S/N	零部件代号 Part No.	Description
1	2804-22070100A	front left foot net guardrail
2	2804-22060100A	foot pedal left part
3	2804-22070300A	back left foot net guardrail
4	2804-22070200A	front right foot net guardrail
5	2804-22060300A	foot pedal right part
6	2804-22070400A	back right foot net guardrail
7	A02-M08L020g	Bolt M8*P1.25*20
8	A09-M0000008	hexagon flange locknut M8*P1.25
9	A02-M10L020g	bolt M10*P1.25*20
10	A02-M06L016g	bolt M6*16

燃油箱组件 oil tank component



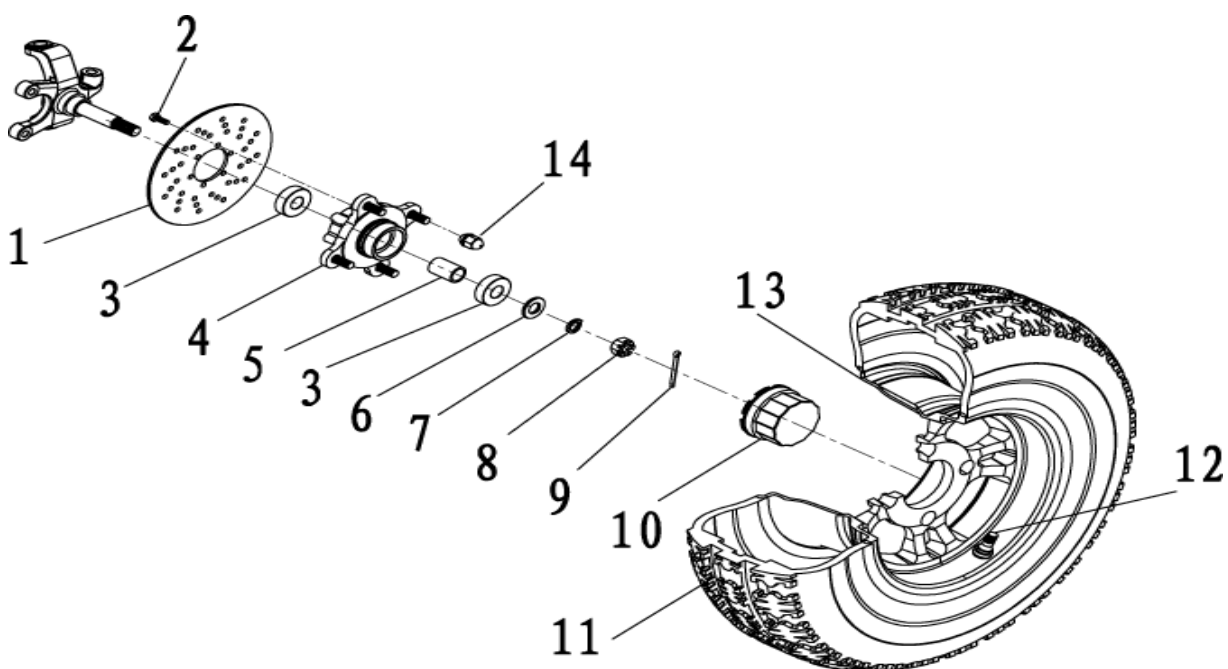
序号 S/N	零部件代号 Part No.	Description
1	2808-15010201A	frel tank
2	2808-15010101A	frel tank cap
3	2804-15010102A	fuel air vent
4	A08-M0000006	nut M6
5	A02-M06L020g	bolt M6*20
6	2808-15010301B	fuel switch
7	2808-15010302B	fuel switch sealing ring
8	2808-15010303B	fuel switch O-sealing ring
9	2808-15010304B	fuel switch washer
10	A03-M006L12c	screw M6*12
11	2808-15010401A	oil lever sensor
12	2808-15010402A	sensor sealing ring
13	2808-27030101B	front fixing rubber cap of oil tank

水箱组件 water tank component



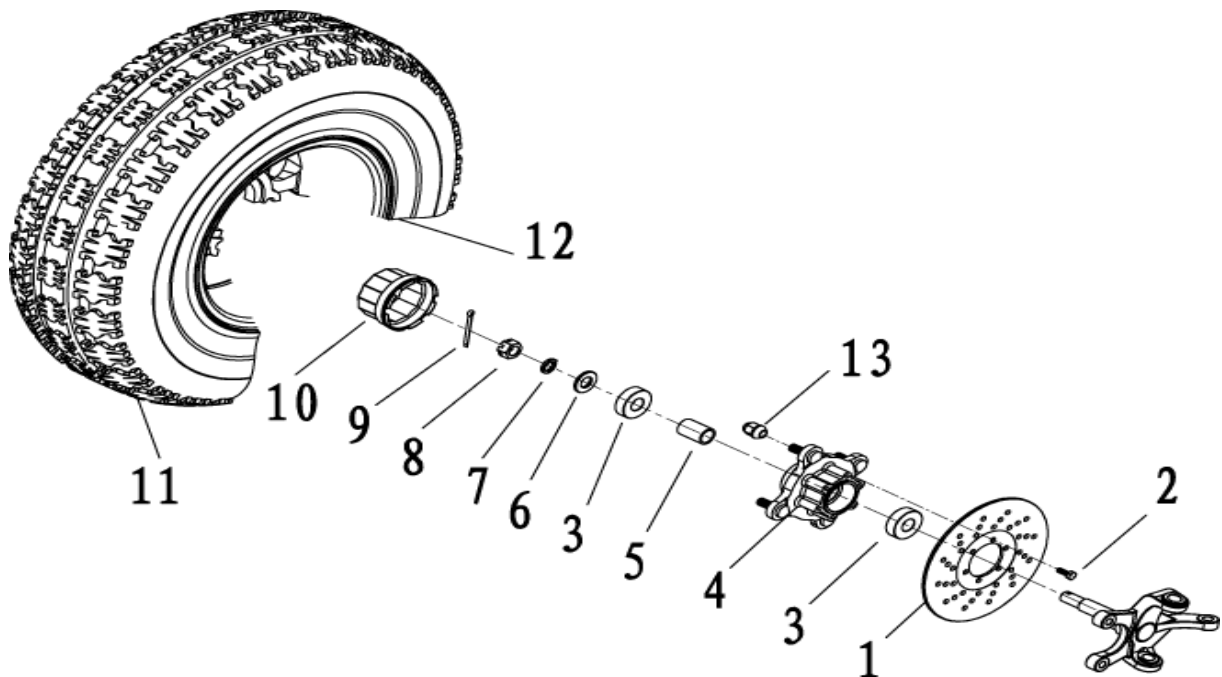
序号 S/N	零部件代号 Part No.	Description
1	2801-05010100A	radiator
2	2801-05010102A	radiator cap
3	2801-05010103A	radiator protection net
4	A12-00000006	flat washer $\phi 6.5 * \phi 12 * T1.5$
5	A03-M006L12c	screw M6*12
6	2801-05020600A	sub water tank connection tube
7	2808-05020800B	small hoop
8	2801-27030101A	rubber washer $\phi 12 * \phi 26 * T12$
9	2801-05010104A	rubber inner supporter pipe
10	A12-00000006	flat washer $\phi 6.5 * \phi 12 * T1.5$
11	A02-M06L025g	bolt M6*25
12	2801-05020700A	water pipe hoop
13	2801-05020400A	outlet pipe $\phi 12 * \phi 20 * L550$
14	2801-05020900A	water pipe protection spring
15	2801-05010200A	thermostat
16	2801-05020500A	cycle water pipe
17	2801-05020300A	inlet water pipe
18	A09-M0000006	hexagon flange locknut M6
19	2801-05010300A	radiator fan
20	2804-05020100A	storage kettle
21	2804-05020200A	storage kettle cap

左转向节组件 left steering component



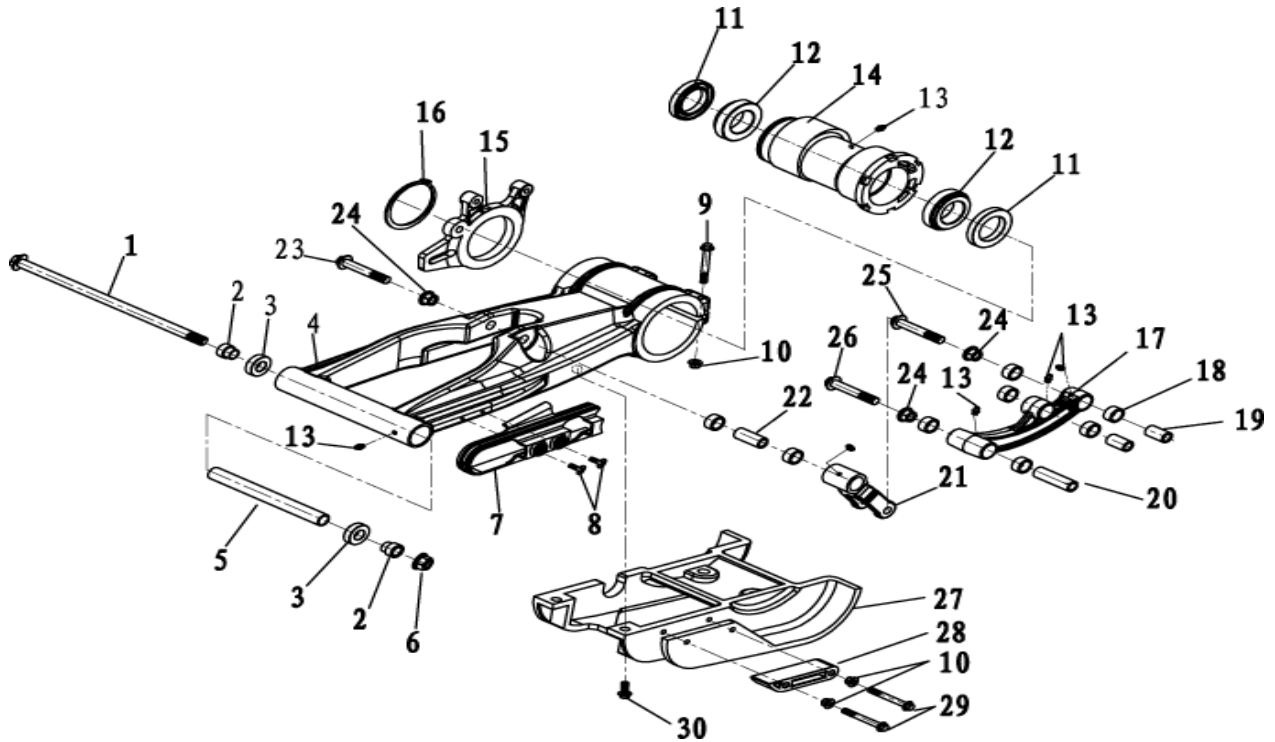
序号 S/N	零部件代号 Part No.	Description
1	2801-07010100A	FRONT BRAKE DISK ϕ 175
2	A01-M06L016g	screw M6*16
3	A24-006203RZ	bearing 6203
4	2801-23010100A	front axle
5	2801-23010101A	inner liner tube ϕ 22* ϕ 18*31.5
6	A12-00000014	flat washer ϕ 14.8* ϕ 27.5*T2
7	A14-00000014	spring washer ϕ 14.8
8	A07-M0000014	nut M14*1.5*14.1
9	A19-D2d8L030	split pin ϕ 2.8*30
10	2801-29010104A	hub dustproof cover
11	2802-29010200A	front off road tire 21*7.0-10
12	A10-M0000010	cap nut M10*P1.25
13	2801-29010101A	FRONT RIM

右转向节组件/right steering component



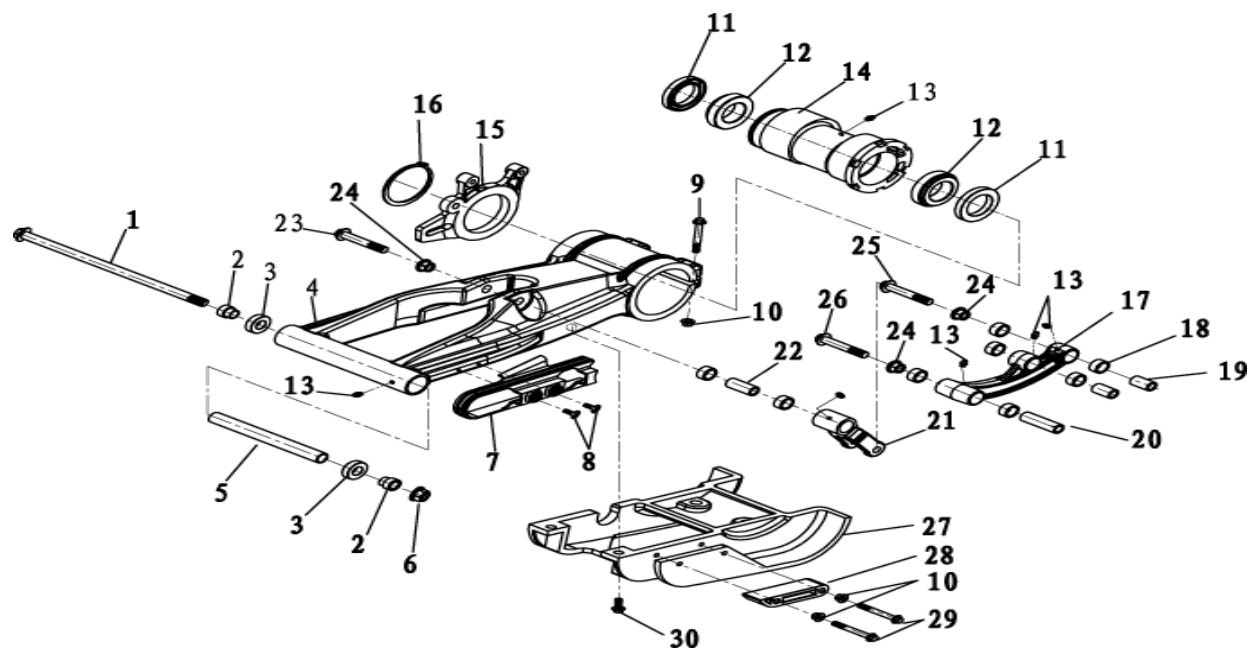
序号 S/N	零部件代号 Part No.	Description
1	2801-07010100A	FRONT BRAKE DISK ϕ 175
2	A01-M06L016g	screw M6*16
3	A24-006203RZ	bearing 6203
4	2801-23010100A	front axle
5	2801-23010101A	inner liner tube
6	A12-00000014	flat washer
7	A14-00000014	spring washer
8	A07-M0000014	nut M14*1.5*14.1
9	A19-D2d8L030	split pin M14*1.5*14.1
10	2801-29010104A	hub dustproof cover
11	2802-29010200A	front off road tire 21*7.0-10
12	2801-29010101A	FRONT RIM
13	A10-M0000010	cap nut M10*P1.25

后平叉组件 rear flat fork



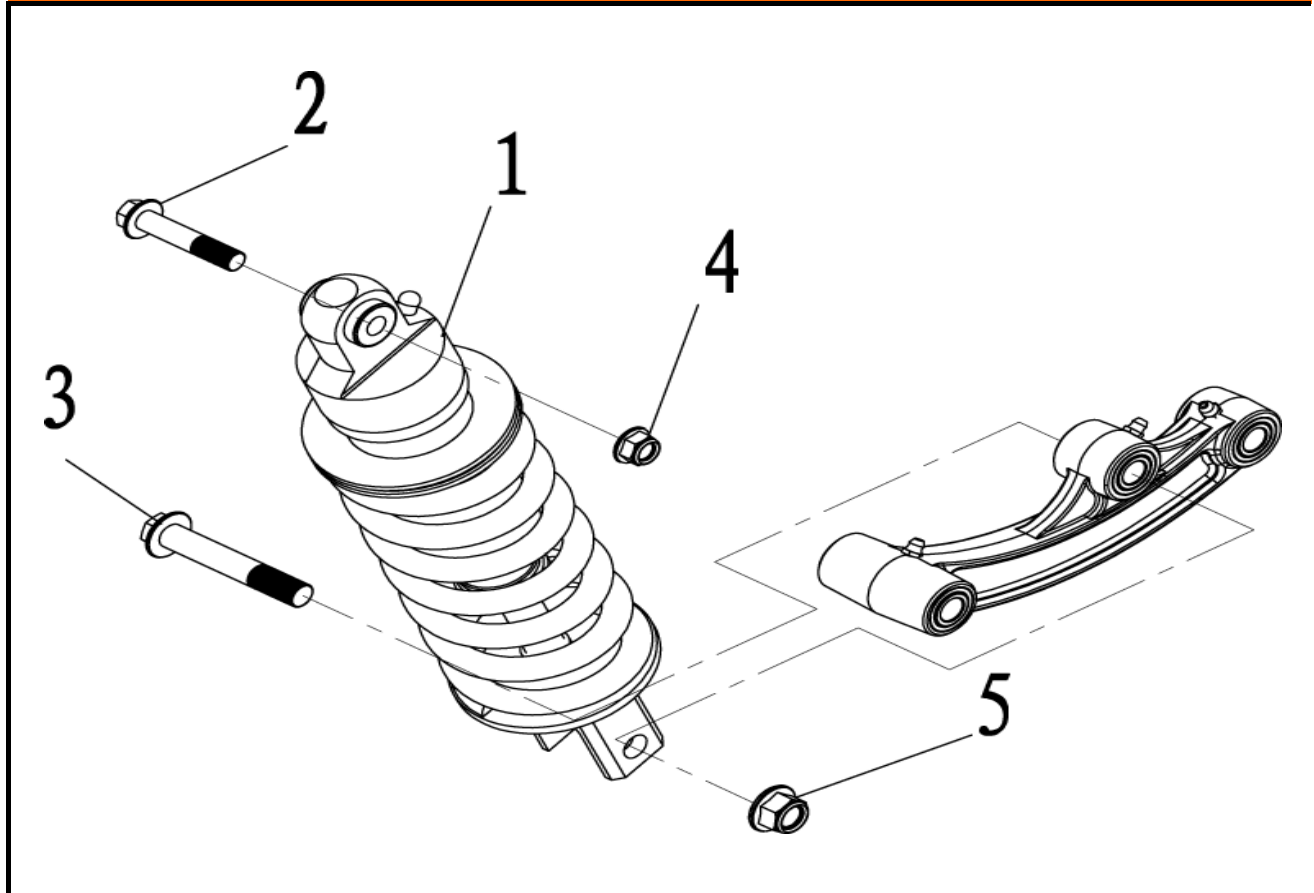
序号 S/N	零部件代号 Part No.	Description
1	A02-M14L275 i	BOLT M14*P1.5*290
2	2801-11010201A	rear fork outer liner
3	A24-00006003	bearing 6003
4	2805-11020000A	rear fork
5	2804-11010101A	rear fork inner liner
6	A09-M0000014	hexagon flange locknut
7	2805-27030201A	chain protection cap
8	A05-M06L010g	screw M6*10
9	A02-M08L065g	bolt M8*P1.25*65
10	A09-M0000008	mhexagon flange locknut
11	A22-D068L008	oil seal $\phi 50^* \phi 68^*8$
12	A21-00032008	bearing 32008 $\phi 68^*\phi 40^*20.5$
13	2801-08030101A	grease nipple
14	2805-12020100A	Bearing support
15	2805-07070100A	disc brake fixed connection plate(Alu)

后平叉组件 rear flat fork



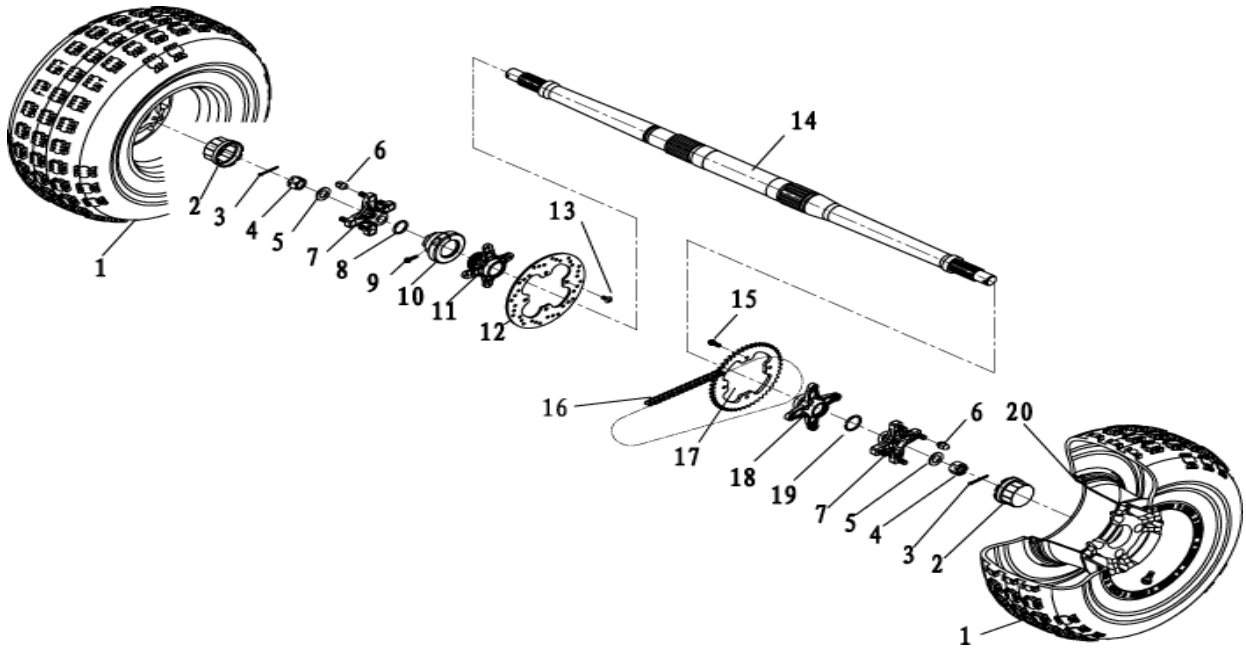
序号 S/N	零部件代号 Part No.	Description
16	A17-0000080	Clamping spring
17	2805-11030100A	A connecting rod
18	A21-00HK1812	Bearing
19	2801-11040202A	A-Lined pipe 30mm
20	2801-11030201A	A-Lined pipe 60mm
21	2805-11040100A	B connecting rod
22	2804-11040201A	B-lined pipe 42mm
23	A02-M12L100g	bolt M12*P1.25*100
24	A09-M0000012	metal hexagon flange locknut
25	A02-M12L064g	bolt M12*P1.25*64
26	A02-M12L084g	bolt M12*P1.25*84
27	2805-22090101A	Chain protection support
28	2805-22090102A	Support horse
29	A02-M08L065g	bolt M8*P1.25*65
30	A02-M08L025g	bolt M8*P1.25*25

后减震组件 rear absorber component



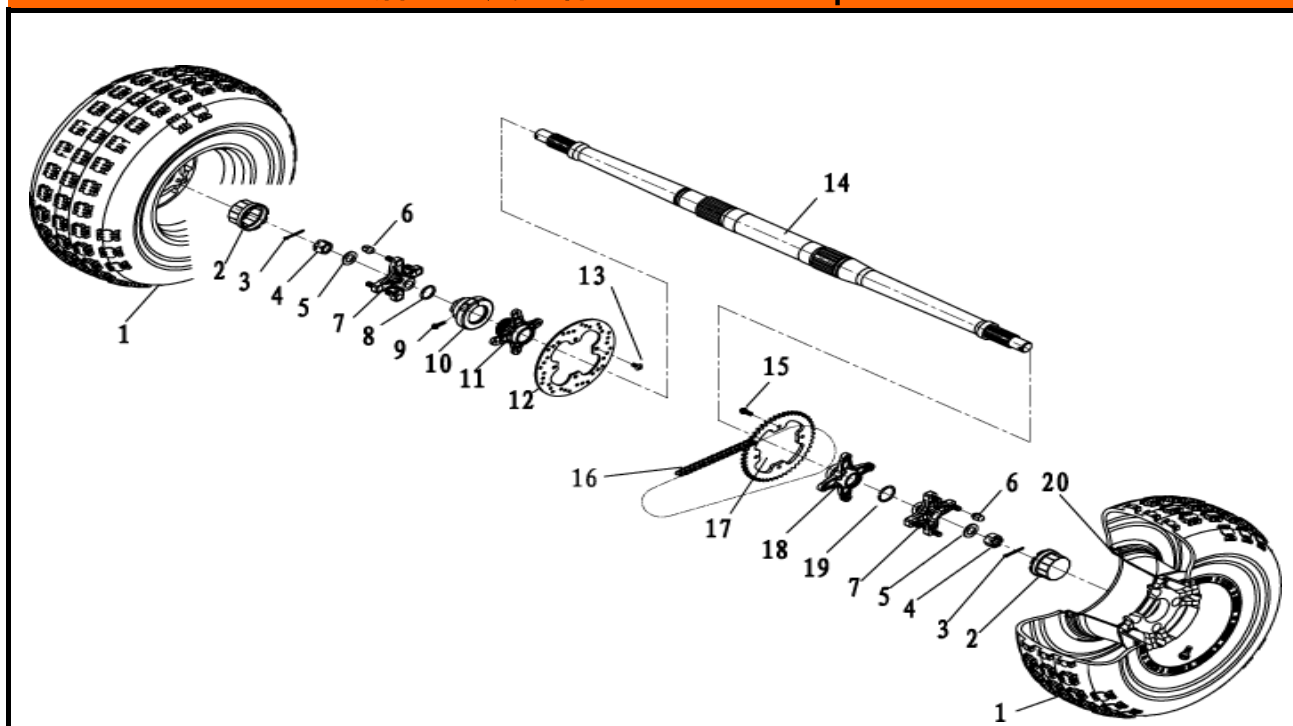
序号 S/N	零部件代号 Part No.	Description
1	2809-14020200A	REAR SHOCK ABSORBER
2	A02-M10L050g	bolt M10*P1.25*50
3	A02-M12L064g	bolt M12*P1.25*64
4	A09-M0000010	metal hexagon flange locknut
5	A09-M0000012	metal hexagon flange locknut

后桥总成组件 rear axle component



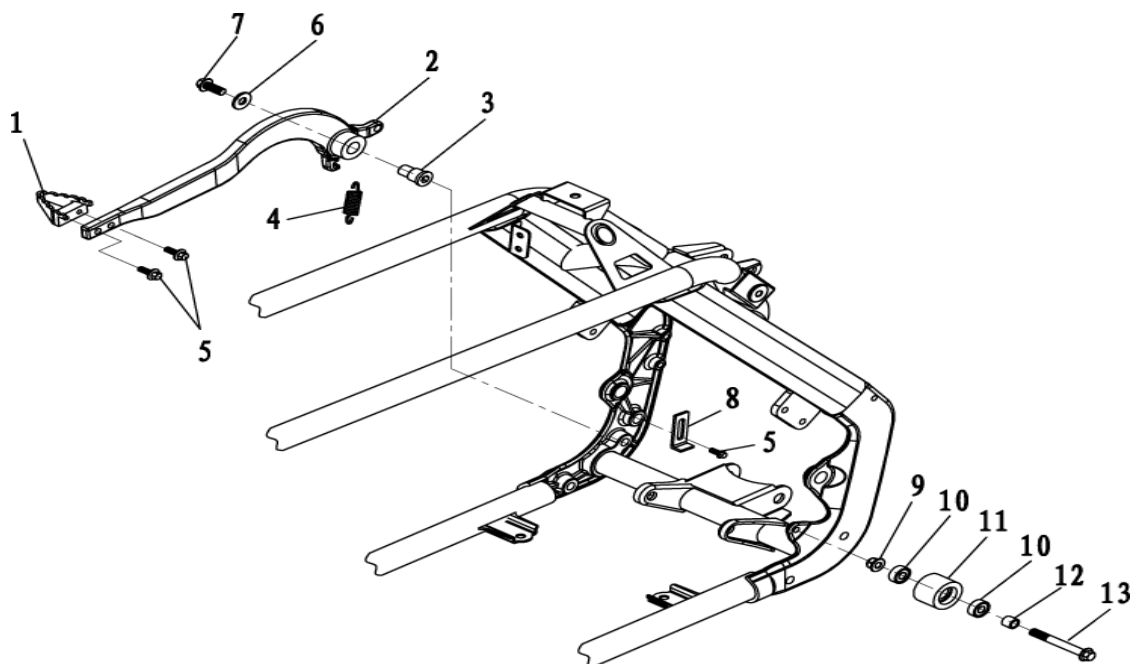
序号 S/N	零部件代号 Part No.	Description
1	2802-30010200A	REAR TYRE
2	2801-29010104A	hub dustproof cover
3	A19-D2d8L040	split pin ϕ 2.8*40
4	A07-M0000020	nut M20*P1.5*14
5	A12-00000020	flat washer ϕ 20.2* ϕ 37*T3
6	A10-M0000010	cap nut M10*P1.25
7	2804-12070101A	rear axle
8	A18-00000039	steel collar of shaft ϕ 39*4
9	A02-M06L025g	bolt M6*25
10	2805-12080101A	lock block M50*2-L
11	2805-12050101A	rear brake plate
12	2804-07020100A	rear brake disc ϕ 220

后桥总成组件 rear axle component



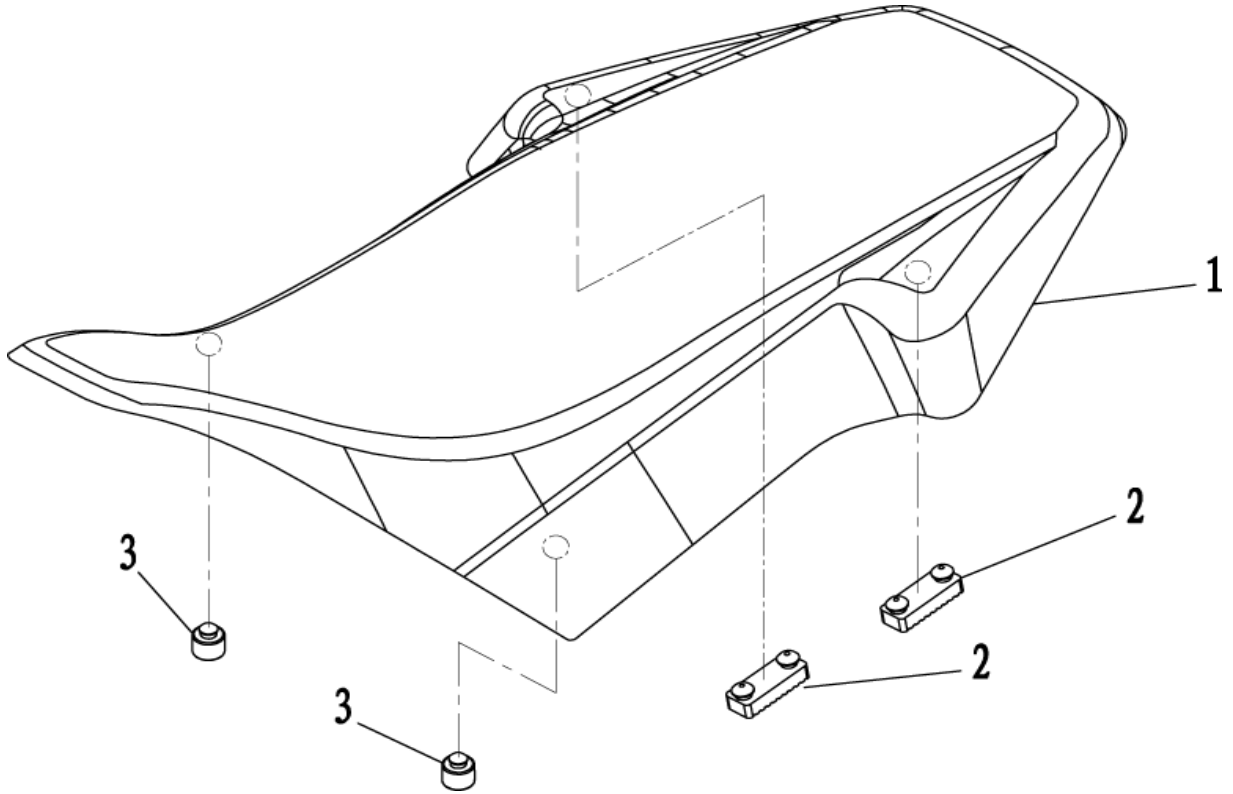
序号 S/N	零部件代号 Part No.	Description
13	A05-M08L016g	screw M8*P1.25*16
14	2805-12060101A	rear axle shaft L955mm
15	A02-M08L020g	bolt M8*P1.25*20
16	2801-24010100A	chain 428#
17	2805-12040101A	rear chain disk 428# 48 tooth
18	2805-12030101A	chain disk foundation
19	A18-00000045	steel collar of shaft ϕ 45*4
20	2801-30010101A	REAR RIM

脚刹、导链轮组件 /foot brakem guide chian wheel component



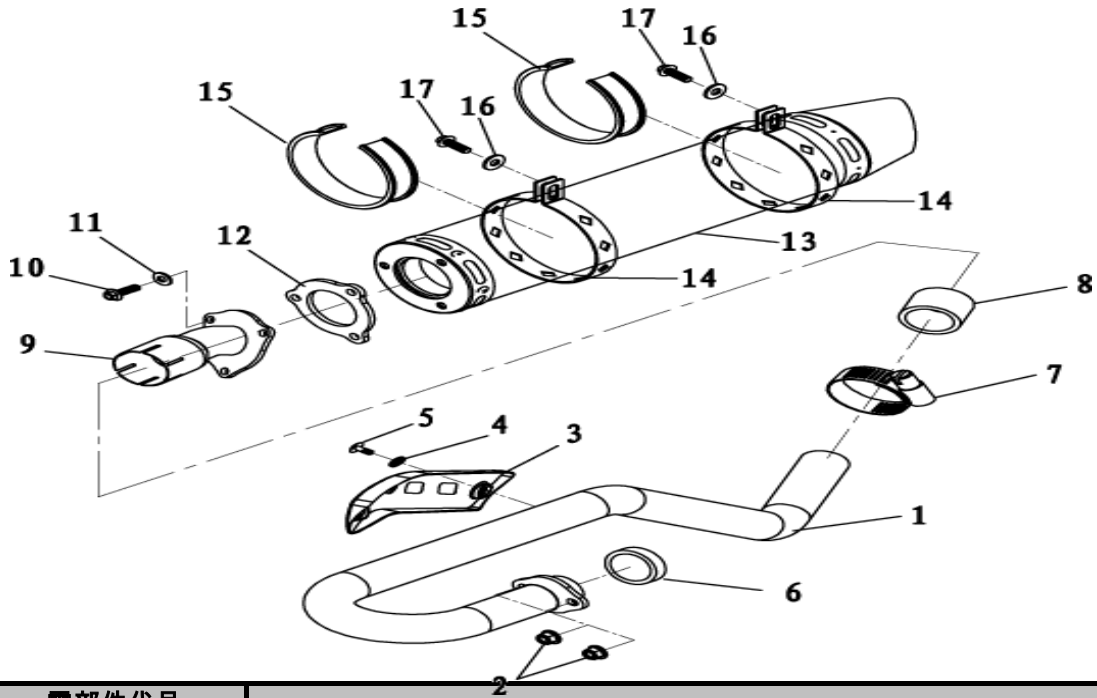
序号 S/N	零部件代号 Part No.	Description
1	2804-07040201A	
2	2804-07040100A	foot brake pole
3	2804-07040301A	foot brake shaft
4	2801-07060100A	spring $\phi 2*40$
5	A02-M06L016g	bolt M6*16
6	A12-00000008	flat washer $\phi 8.5*\phi 20*T2$
7	A02-M08L020g	bolt M8*P1.0*20
8	2804-07040401A	foot brake limit block
9	A09-M00000008	metal hexagon flange locknut M8*P1.25
10	A24-000608ZZ	bearing 608ZZ
11	2804-27020101A	guide chian wheel
12	2804-27020201A	guide chian wheel spacer
13	A02-M08L050g	bolt M8*P1.25*50

座垫/Seat



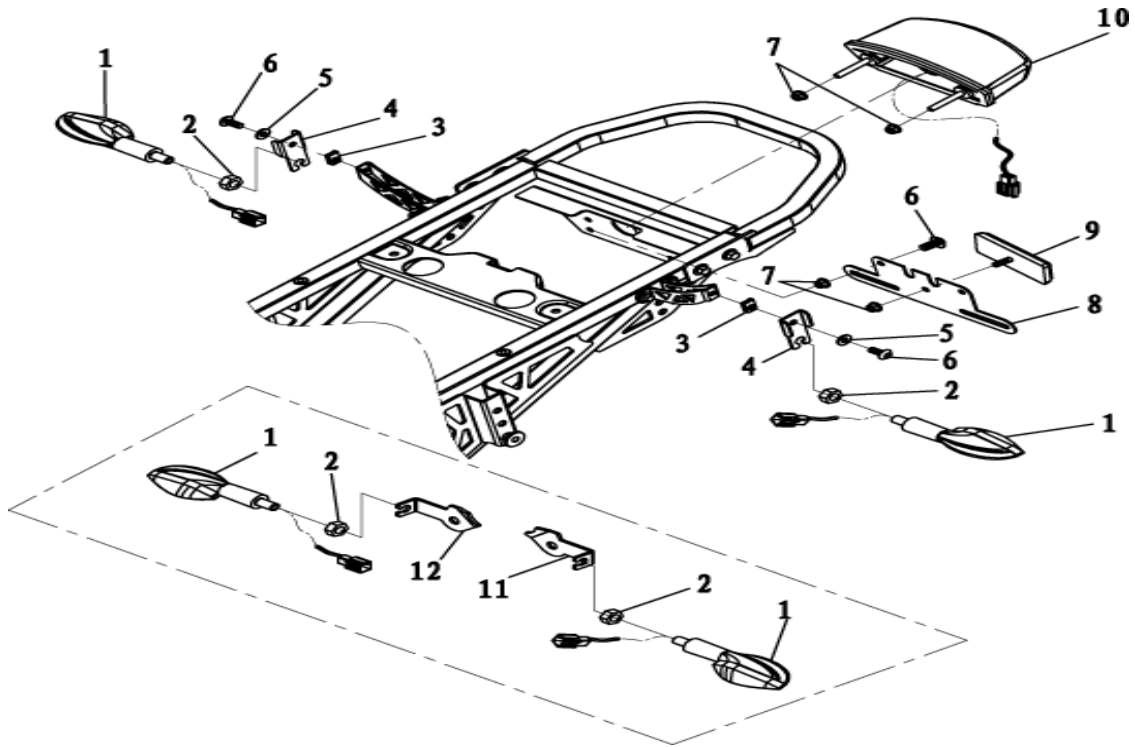
序号 S/N	零部件代号 Part No.	Description
1	2808-26010000B	seat
2	2808-27030501A	anti shock rubber washer
3	2801-27030501A	anti shock rubber washer

排气管组件 Muffler Component



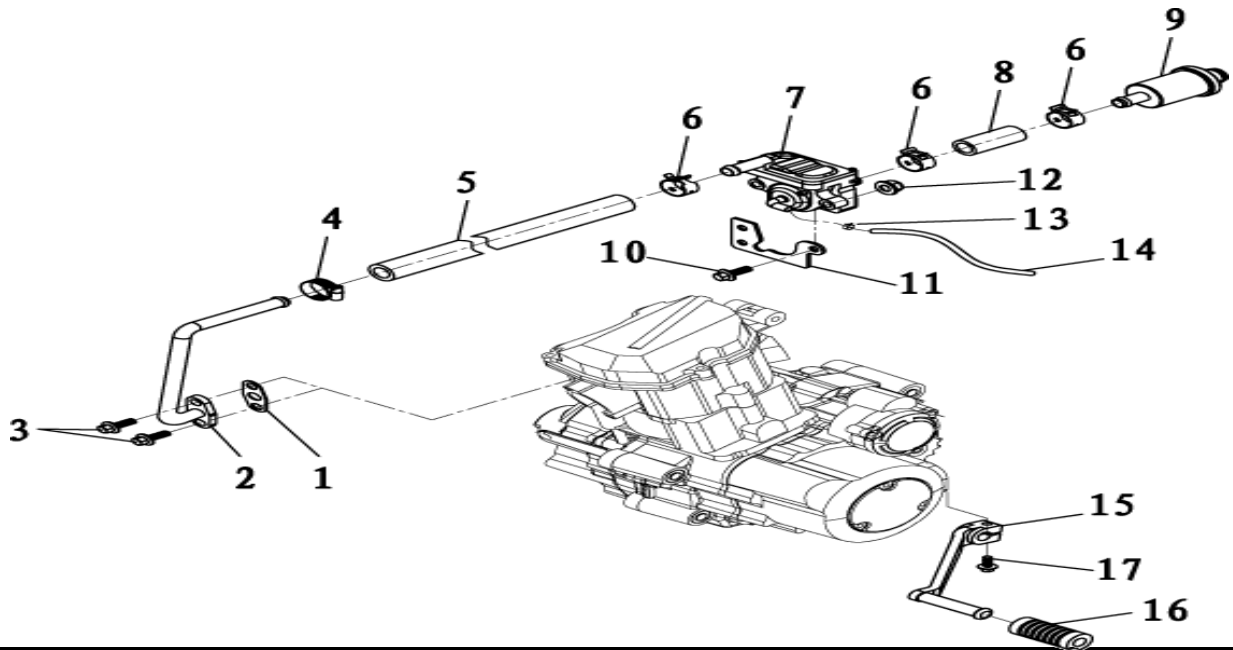
序号 S/N	零部件代号 Part No.	Description
1	2808-04010100B	front tube of muffler
2	A09-M0000008	Nut M8*P1.25
3	2810-04010400B	anti hot plate
4	A14-00000006	spring washer $\phi 6$
5	A05-M06L012g	screw M6*12
6	2801-04010601A	muffler copper washer
7	2810-04010701B	muffler hoop
8	2810-04010501B	muffler graphite washer
9	2808-04010200B	rear tube of muffler
10	A02-M08L020g	bolt M8*P1.25*30 M8*P1.25*20
11	A12-00000008	flat gasket $\phi 8.5 * \phi 16 * T1.5$
12	2810-04010105B	muffler gasket
13	2810-04010300B	muffler
14	2810-04010702B	muffler hoop
15	2810-04010801B	anti slip washer
16	A12-00000008	flap gasket $\phi 8.5 * \phi 22 * T1.5$
17	A02-M08L030g	bolt M8*P1.25*30

后尾灯、转向灯/Rear Light.Indicator Lamp



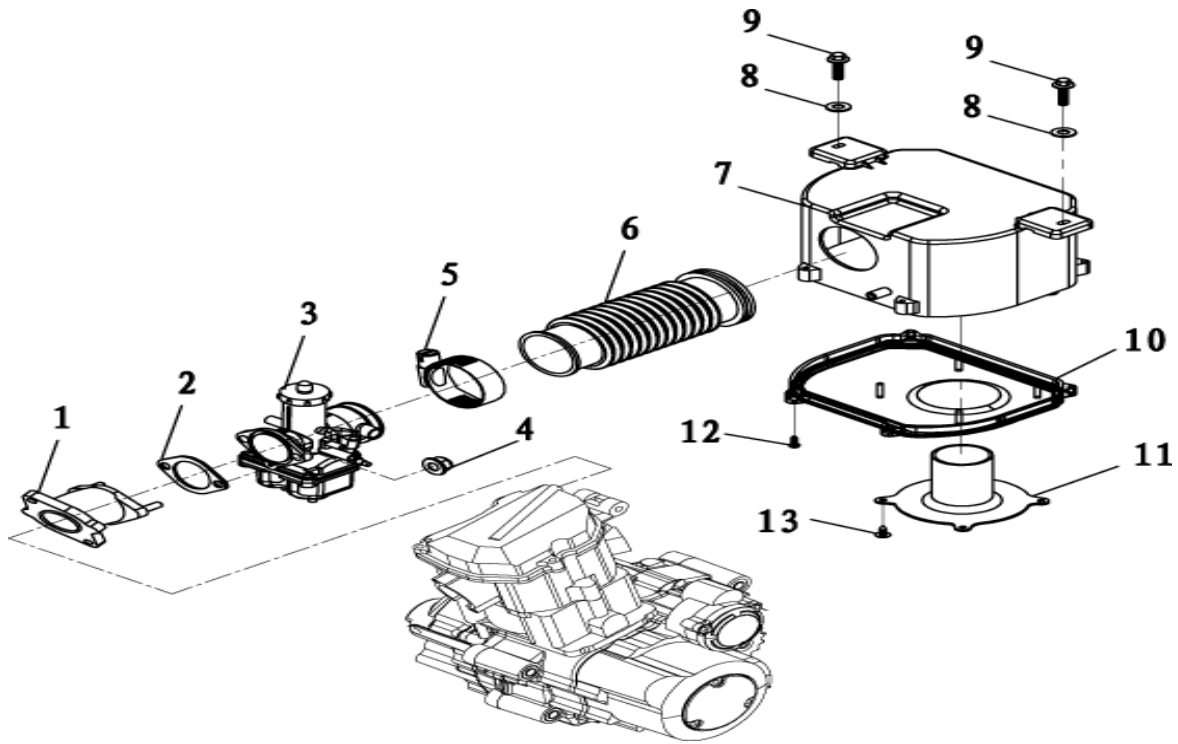
序号 S/N	零部件代号 Part No.	Description
1	2804-16100101A	indicator lamp
2	A08-M0000010	nut M10
3	2801-25010107A	Thread elastic washer M6
4	2808-22050107B	indicator lamp fixed plate
5	A12-00000006	flap gasket $\phi 6.5 * \phi 12 * T1.5$
6	A05-M06L012g	Bolt M6*12
7	A09-M0000006	Nut M6
8	2801-22050501A	license bracket
9	2801-20020101A	rear reflector
10	2804-16100101A	rear Tail Lamp
11	2804-22050105A	left front indicator lamp bracket
12	2804-22050106A	right front indicator lamp bracket

二次补气阀/Second Compensating Valve



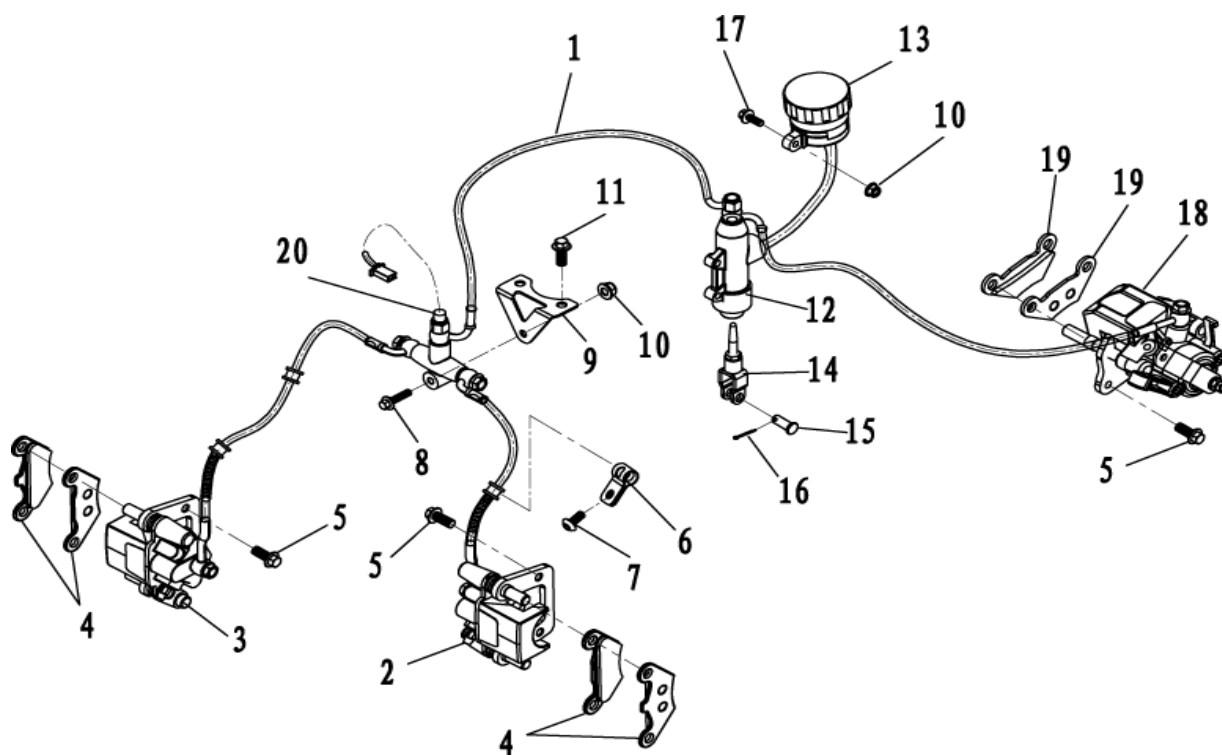
序号 S/N	零部件代号 Part No.	Description
1	2804-04020101A	fill valve gasket
2	2804-04020102A	fill valve tube
3	A02-M06L020g	bolts M6*20
4	2804-04020103A	hoop
5	2804-04020104A	anti temperature tube
6	2804-04020105A	clamp
7	2804-04020106A	second compensating valve assy
8	2804-04020107A	tube
9	2804-04020107A	gasoline trap
10	A02-M06L020g	bolts M6*20
11	2804-04020201A	second compensating fixed plate
12	A09-M0000006	Nuts M6
13	2804-04020108A	clamp spring
14	2804-04020109A	fuel tube
15	2801-06010101A	foot gear shift lever
16	2801-06010102A	gear shift lever sleeve
17	A01-M06L020g	bolts M6*20

进气系统/Induction System



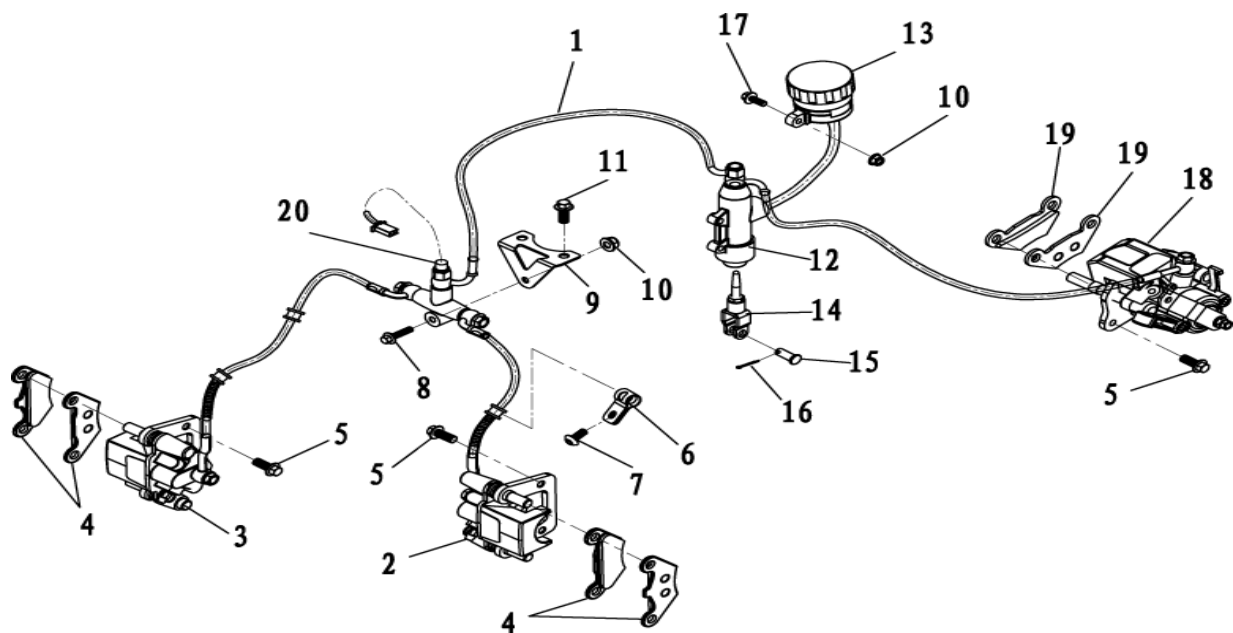
序号 S/N	零部件代号 Part No.	Description
1	2801-03010100A	induction pipe
2	2801-03010201A	induction pipe paper washer
3	2801-03020100A	carburetor/PZ27
4	A09-M0000006	nuts M6
5	2801-03040101A	air filter hoop 35-51
6	2801-03030100A	air filter soft tube
7	2801-03030200A	air filter
8	2801-27030201A	rubber gasket
9	A02-M06L025g	bolts M6*25
10	2801-03030400A	air filter cap 400A
11	2801-03030500A	air filter cap 500A
12	A06-ST004L15	Bolt ST4*15 GB845
13	A06-ST3d5L10	Bolt ST3.5*10 GB845

制动系统 Braking System



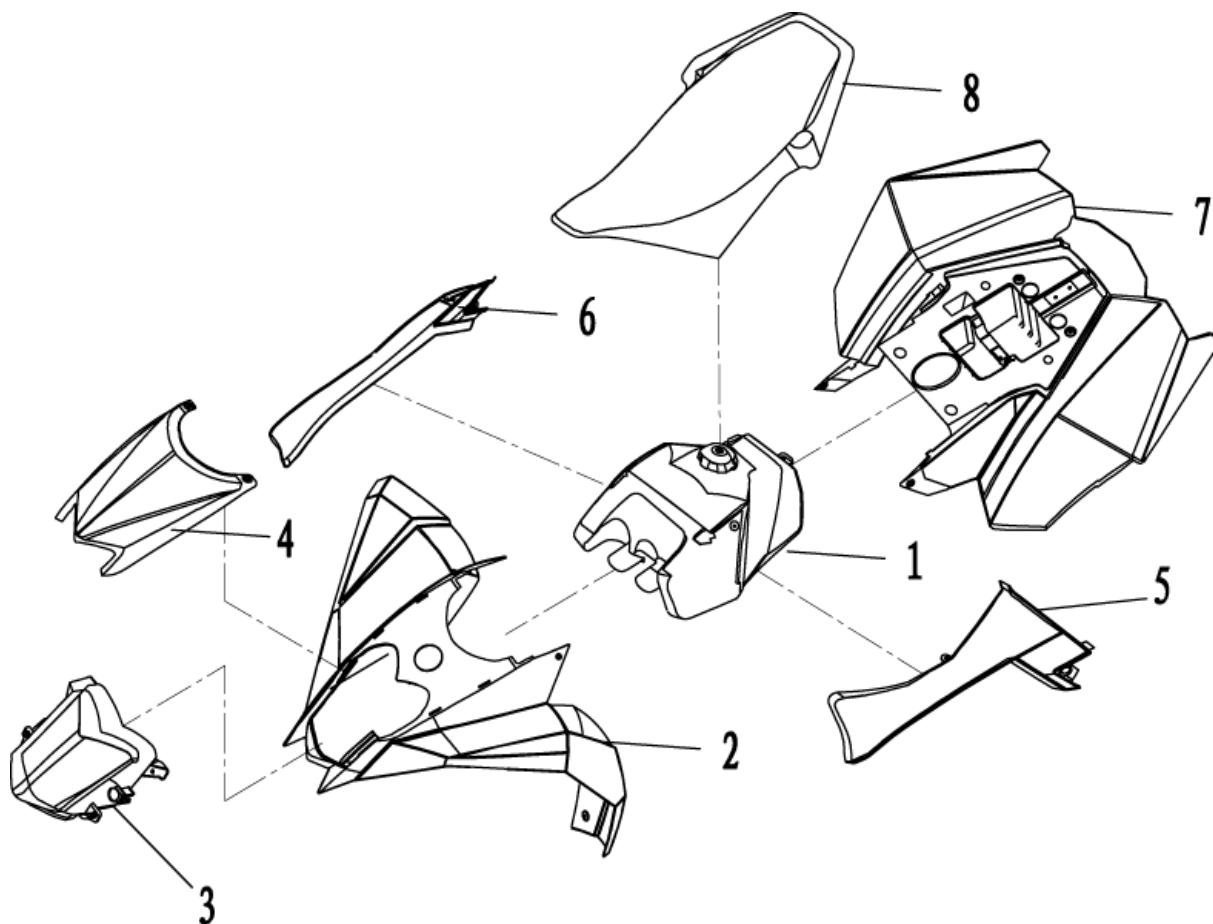
序号 S/N	零部件代号 Part No.	Description
1	2809-07030300A	brake assembly
2	2808-07030301A	front sub-cylinder assy(L)
3	2808-07030302A	front sub-cylinder assy(R)
4	2808-07030303A	front cylinder brake pad
5	A02-M08L025g	bolts M8*P1.25*25
6	2801-07050101A	fuel tube fixed hoop
7	A05-M06L016g	screws M6*16
8	A02-M06L035g	bolts M6*35
9	2801-10050501A	fixed plate
10	A09-M0000006	nuts M6

制动系统 Braking System



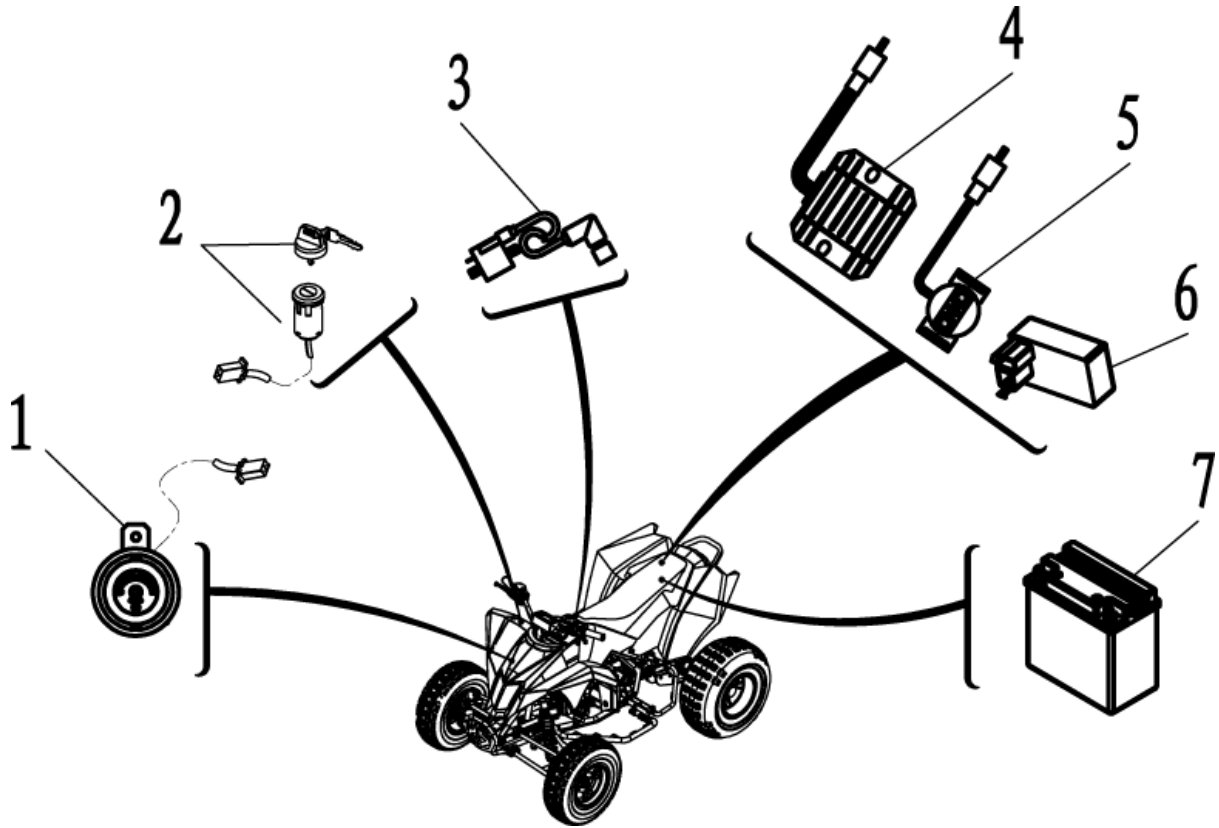
序号 S/N	零部件代号 Part No.	Description
11	A02-M08L020g	bolts M8*P1.25*20
12	2808-07030304A	pump assembly
13	2808-07030305A	oil cup
14	2808-07030306A	brake pole
15	2808-07030307A	straight pin
16	A19-D002L040	cotter pin ϕ 2*20
17	A02-M06L020g	bolts M6*20
18	2808-07030308A	rear brake pump
19	2808-07030309A	rear brake pad
20	2808-07030310A	hydraulic sensor switch

覆盖件/Plastic covers



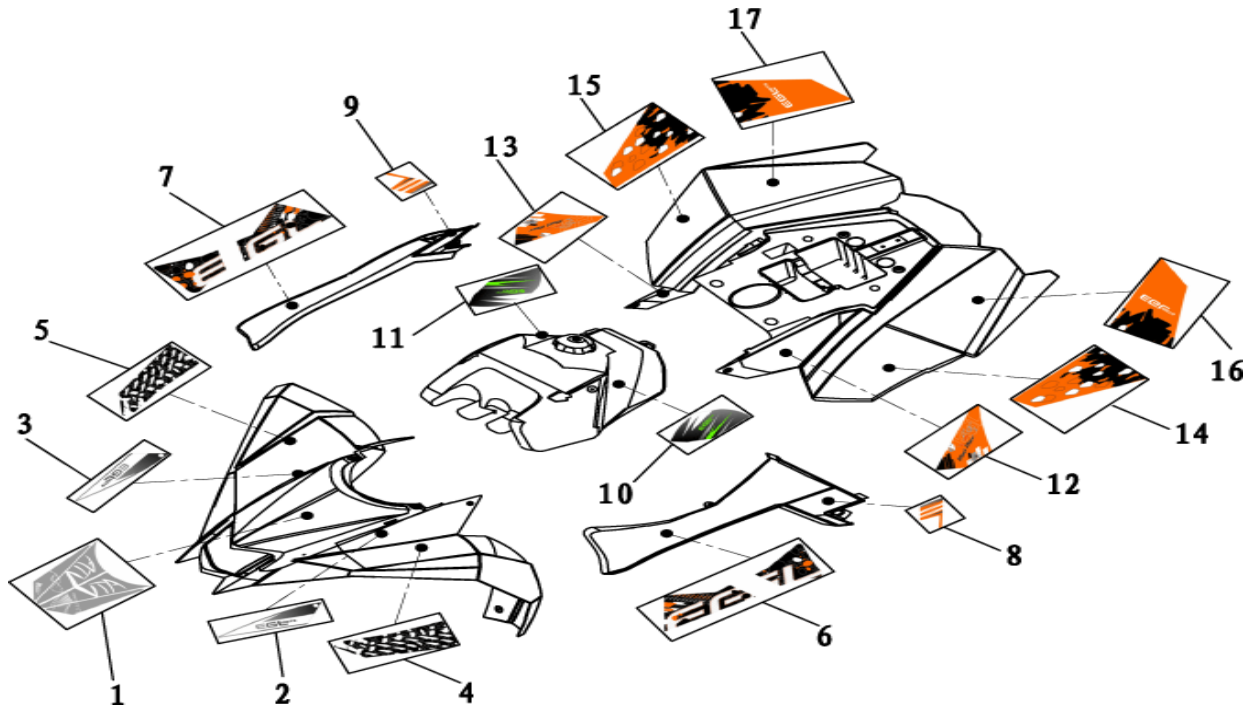
序号 S/N	零部件代号 Part No.	Description
	2808-15010200A	fuel tank
2	2808-25010101B	forebody plastic cover/ABS
3	2808-16100301B	front light/E4 12038
4	2808-25010102B	light plastic cover/ABS
5	2808-25010103B	left kuppe plastic cover/ABS
6	2808-25010104B	right kuppe plastic cover/ABS
7	2808-25010105B	afterbody plastic cover/ABS
8	2808-26010000B	seat

电 器 件 / Electric Parts



序号 S/N	零部件代号 Part No.	Description
1	2801-16080100A	horn/E4-00066
2	2801-16070100A	electric lock
3	2801-16030100A	ignitor
4	2801-16050100A	rectifier
5	2801-16040100A	start relay
6	2801-16020100A	CDI
7	2801-16010100A	battery

贴花/Stickers



序号 S/N	零部件代号 Part No.	Description
1	2808-79010001A	Front cover sticker
2	2808-79010002A	forebody left sticker1
3	2808-79010003A	forebody right sticker1
4	2808-79010004A	forebody left sticker2
5	2808-79010005A	forebody right sticker2
6	2808-79010006A	left kuppe sticker 1
7	2808-79010007A	right kuppe sticker 1
8	2808-79010008A	left kuppe sticker 2
9	2808-79010009A	left kuppe sticker 2
10	2808-79010010A	fuel tank left sticker
11	2808-79010011A	fuel tank right sticker
12	2808-79010012A	afterbody left sticker1
13	2808-79010013A	afterbody right sticker1
14	2808-79010014A	afterbody left sticker2
15	2808-79010015A	afterbody right sticker2
16	2808-79010016A	afterbody left sticker 3
17	2808-79010017A	afterbody right sticker3